

INSTALLATION & MAINTENANCE MANUAL HBLU (bracket for HBL fittings)



GENERAL INSTRUCTIONS

These instructions should be read carefully and retained after installation by the end user for future reference and maintenance.

These instructions should be used to aid installation of the following products:

HBLU1 / HBLU2

INSTALLATION

- Using the bracket as a template, mark the location of the fixing holes, drill 2x 10mm holes ensuring not to infringe with any joists, gas or water pipes or electrical cables
- Using a hammer, tap the expansion bolts into the 10mm fixing holes (see Fig 1)

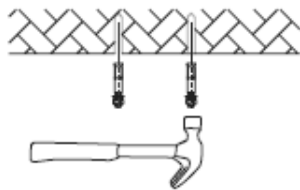


Fig 1

- Tighten expansion bolt nuts but allow enough space for the bracket to mount
- Remove the driver housing via the 4 Allen screws (see Fig 2)

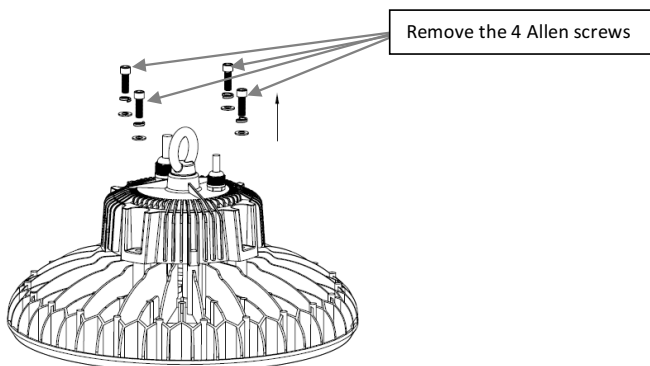


Fig 2

- Align the mounting bracket with 2 of the driver housing screw pillars (see Fig 3)

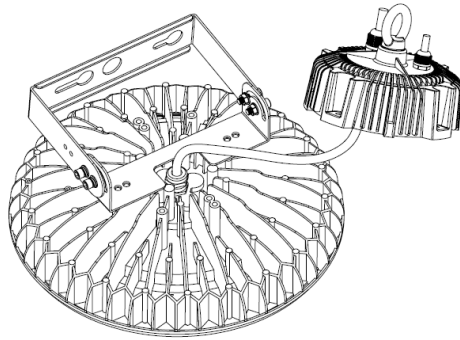


Fig 3

- Position the driver housing into the bracket ensuring all Allen screw holes are correctly aligned and fasten down the 4 Allen screws (see Fig 4)

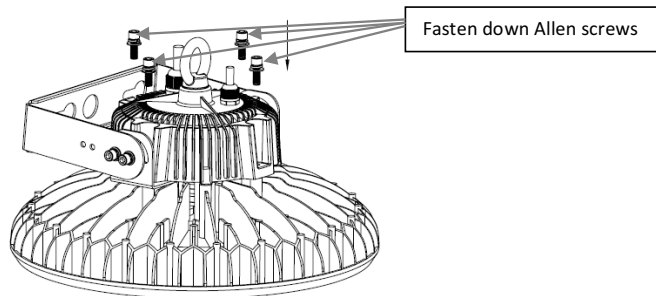


Fig 4

- Lift the fitting up to the expansion bolts and slide into the bracket (see Fig 5)

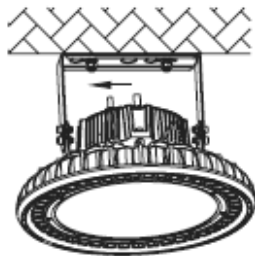


Fig 5

- Tighten the 2 expansion bolts to secure the luminaire to the surface

WARNING

Do not use any source of high pressure washers to maintain or clean this product.
Ensure correct fixtures are used for the surface that the product is fixed to.

GENERAL

Clean with a soft dry cloth only, do not use aggressive cleaning products or solvents which may damage the product.

WARRANTY

This product has a warranty of 5 years from date of purchase. Failure to install this product in accordance with the current edition of the IEE Wiring Regulations, improper use, or removal of the batch codes will invalidate the warranty. If this product should fail within its warranty period it should be returned to the place of purchase for a free of charge replacement. ML Accessories does not accept responsibility for any installation costs associated with the replacement product. Your statutory rights are not affected. ML Accessories reserve the right to alter product specification without prior notice.



ML Accessories Limited
LU5 5TA
www.mlaccessories.co.uk

SBFEB17_V2