



SUPPLIED BY:
(UK) MANUFACTURER
ML ACCESSORIES LTD, UNIT E CHILTERN PARK,
 BOSCOMBE ROAD, DUNSTABLE LU5 4LT,
 WWW.MLACCESSORIES.CO.UK

(EU) AUTHORISED REPRESENTATIVE
SLV LIGHTING GROUP,
 DAIMLERSTRASSE 21-23,
 52531 ÜBACH-PALENBERG, GERMANY
EMAIL: EPREL@GROUP.SLV.COM
 MADE IN CHINA



JBSEP23_V1



INSTALLATION & MAINTENANCE MANUAL

PWL7

GENERAL INSTRUCTIONS

These instructions should be read carefully and retained after installation by the end user for future reference and maintenance.

These instructions should be used to aid installation of the following product:
PWL7

SAFETY

- This product must be installed in accordance with the latest edition of the IEE Wiring Regulations (BS7671) and current Building Regulations. If in any doubt, consult a qualified electrician
- Please isolate mains prior to installation or maintenance
- Check the total load on the circuit (including when this luminaire is fitted) does not exceed the rating of the circuit cable, fuse or circuit breaker
- Please note the IP (Ingress Protection) rating of this product when deciding the location for installation
- This product should be installed in the upright position
- This product is for indoor use only
- This product is Class I and must be earthed
- This product is IP20 rated

INSTALLATION

- Provide power to the required point of installation
- Using the mounting bracket as a template, mark the location for, and drill the fixing holes ensuring not to infringe with any gas/water pipes or electrical cables
- Secure the bracket to the wall with screws and wall plugs provided (see Fig. 1)
- Connect the luminaire to the mains supply ensuring the correct polarity is observed: L – Live (brown), E – Earth (green/yellow), N – Neutral (blue)

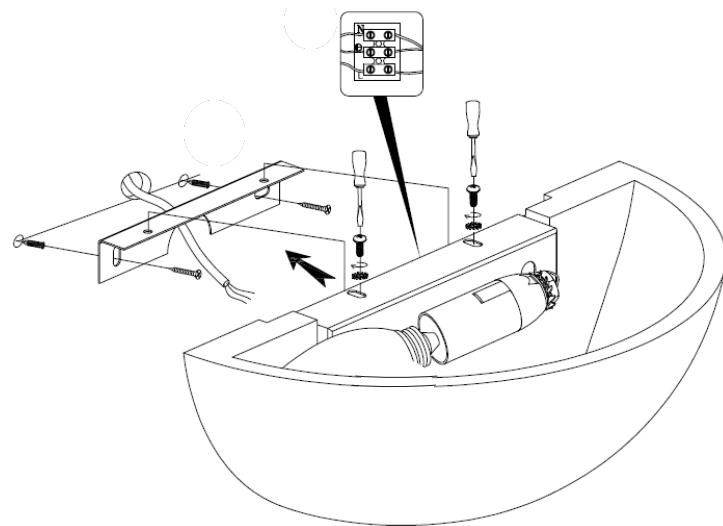


Fig. 1

- Fix the mounting plate to the bracket using screws and washers provided (see Fig. 1)
- Insert a suitable lamp to the lamp holder (see Fig. 1)
- Switch on and check for correct operation

WARNING

This product must be disconnected from the circuit if subjected to any high voltage or insulation resistance testing. Irreparable damage will occur if this instruction is not followed.

GENERAL

Clean with a soft dry cloth only, do not use aggressive cleaning products or solvents which may damage the product.

This product is dimmable dependent on lamp type.

This product should be recycled in the correct manner when it reaches the end of its life. Check local authorities for where facilities exist.

WARRANTY

This product has a warranty of 2 years from date of purchase. Failure to install this product in accordance with the current edition of the IEE Wiring Regulations (BS7671), improper use, or removal of the batch code will invalidate the warranty. If this product should fail within its warranty period, it should be returned to the place of purchase for a free of charge replacement. ML Accessories does not accept responsibility for any installation costs associated with the replacement product. Your statutory rights are not affected. ML Accessories reserve the right to alter product specification without prior notice.