



INSTALLATION & MAINTENANCE MANUAL

**LPANKIT2**

## GENERAL INSTRUCTIONS

**These instructions should be read carefully and retained after installation by the end user for future reference and maintenance.**

**These instructions should be used to aid surface-mounted installation of the following product:**

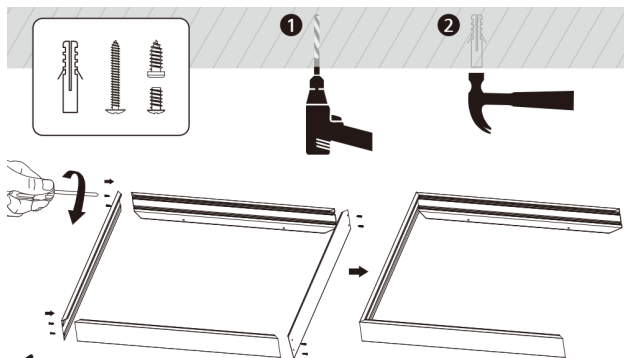
**LPANKIT2**

## SAFETY

- This product must be installed in accordance with the latest edition of the IEE Wiring Regulations (BS7671) and current Building Regulations. If in any doubt, consult a qualified electrician
- Please isolate mains prior to installation or maintenance
- This product is for indoor use only

## INSTALLATION

- Assemble the surface mounted frame with the screws provided
- Using the frame as a template, mark the location for, and drill the fixing holes ensuring not to infringe with any gas/water pipes or electrical cables (see Fig.1)



**Fig. 1**

- Remove one side of the frame and insert the panel and reattach the side of the frame (see Fig. 2)



**Fig. 2**

## GENERAL

Clean with a soft dry cloth only, do not use aggressive cleaning products or solvents which may damage the product.

This product should be recycled in the correct manner when it reaches the end of its life.

Check local authorities for where facilities exist.

## WARRANTY

This product has a warranty of 1 year from date of purchase. Failure to install this product in accordance with the current edition of the IEE Wiring Regulations (BS7671), improper use, or removal of the batch code will invalidate the warranty. If this product should fail within its warranty period, it should be returned to the place of purchase for a free of charge replacement. ML Accessories does not accept responsibility for any installation costs associated with the replacement product. Your statutory rights are not affected. ML Accessories reserve the right to alter product specification without prior notice.

**SUPPLIED BY:**

**(UK) MANUFACTURER**

**ML ACCESSORIES LTD**, UNIT E CHILTERN PARK,  
BOSCOMBE ROAD, DUNSTABLE LU5 4LT,  
[WWW.MLACCESSORIES.CO.UK](http://WWW.MLACCESSORIES.CO.UK)

**(EU) AUTHORISED REPRESENTATIVE**

**SLV LIGHTING GROUP**,  
DAIMLERSTRASSE 21-23,  
52531 ÜBACH-PALENBERG, GERMANY  
**EMAIL:** [EPREL@GROUP.SLV.COM](mailto:EPREL@GROUP.SLV.COM)

MADE IN CHINA



**ML**  
ACCESSORIES LTD

