



INSTALLATION & MAINTENANCE MANUAL

RE6CTF / RE6CTT



GENERAL INSTRUCTIONS

These instructions should be read carefully and retained after installation by the end user for future reference and maintenance.

**These instructions should be used to aid installation of the following products:
RE6CTF / RE6CTT**

SAFETY

- These products must be installed in accordance with the latest edition of the IEE Wiring Regulations (BS7671) and current Building Regulations. If in any doubt, consult a qualified electrician
- Please isolate mains prior to installation or maintenance
- Check the total load on the circuit (including when these luminaires are fitted) does not exceed the rating of the circuit cable, fuse or circuit breaker
- Please note the IP (Ingress Protection) rating of these products when deciding the location for installation
- If used under insulation, the insulation should be laid unbroken over the luminaire (not packed around it). Only mineral wool style insulation may be used
- These products are for indoor use only
- These products are Class II double insulated
- This product is IP65 rated (IP20 from above) for RE6CTF, and IP20 for RE6CTT





INSTALLATION

Note - If this luminaire is being used in conjunction with an external PIR or sensor, please confirm with the manufacturer of the sensors that they are compatible with LED luminaires.

- Provide power to the required point of installation
- Cut a suitable hole in the mounting surface as per the cut-out details (see Fig. 1) ensuring not to infringe with any joists, gas/water pipes or electrical cables

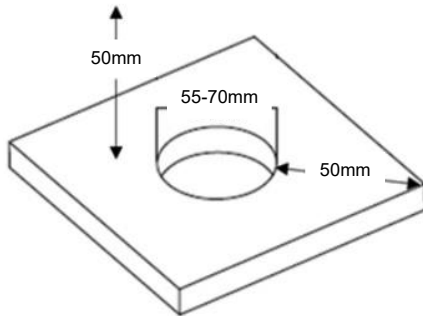


Fig. 1

- Connect the luminaire to the mains supply ensuring the correct polarity is observed (see Fig. 2): L – Live (brown), E – Earth (green/yellow), N – Neutral (blue). The earth terminal is non-functional and only provided for convenience. Two cables can be inserted into the push-fit terminal block in order to achieve loop-in/loop-out wiring





Fig. 2

- Select the required colour temperature via the three-position switch on the rear of the luminaire
- Select the desired bezel (optional) and clip onto the luminaire making sure it is secure
- Lift both spring clips on the sides of the fitting and push into the ceiling ensuring the terminal block is not resting against the luminaire
- Switch on and check for correct operation

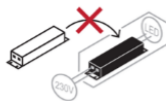
WARNING

This product must be disconnected from the circuit if subjected to any high voltage or insulation resistance testing. Irreparable damage will occur if this instruction is not followed.

GENERAL

This product contains a light source of energy efficiency class E to Regulation (EU) No. 2019/2015 and (UK) 2021 No. 1095.

This product contains a non-replaceable LED light source and a non-replaceable control gear.



Clean with a soft dry cloth only, do not use aggressive cleaning products or solvents which may damage the product.

This product is dimmable dependent on using trailing-edge dimmers, please check compatibility before installation.

This product should be dismantled for disposal when it reaches the end of its life. Please see website for dismantling instructions. This product should be recycled in the correct manner when it reaches the end of its life. Check local authorities for where facilities exist. The external supply cable of this luminaire cannot be replaced; if the cable is damaged, the luminaire should be destroyed

WARRANTY

This product has a warranty of 3 years from date of purchase. Failure to install this product in accordance with the current edition of the IEE Wiring Regulations (BS7671), improper use, or removal of the batch code will invalidate the warranty. If this product should fail within its warranty period, it should be returned to the place of purchase for a free of charge replacement. ML Accessories does not accept responsibility for any installation costs associated with the replacement product. Your statutory rights are not affected. ML Accessories reserve the right to alter product specification without prior notice.



SUPPLIED BY:

(UK) MANUFACTURER
ML ACCESSORIES LTD, UNIT E CHILTERN PARK,
BOSCOMBE ROAD, DUNSTABLE LU5 4LT,
WWW.MLACCESSORIES.CO.UK

(EU) AUTHORISED REPRESENTATIVE
SLV LIGHTING GROUP,
DAIMLERSTRASSE 21-23,
52531 ÜBACH-PALENBERG, GERMANY
EMAIL: EPREL@GROUP.SLV.COM

MADE IN CHINA



JBMAY24_V1

