



INSTALLATION & MAINTENANCE MANUAL

**SLIGHT2**

## GENERAL INSTRUCTIONS

**These instructions should be read carefully and retained after installation by the end user for future reference and maintenance.**

**These instructions should be used to aid installation of the following product:**

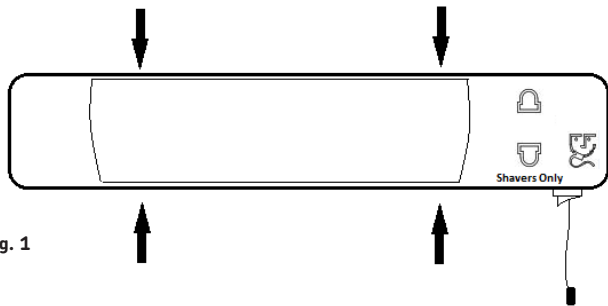
**SLIGHT2**

## SAFETY

- This product must be installed in accordance with the latest edition of the IEE Wiring Regulations (BS7671) and current Building Regulations. If in any doubt, consult a qualified electrician
- Please isolate mains prior to installation or maintenance
- Check the total load on the circuit (including when this luminaire is fitted) does not exceed the rating of the circuit cable, fuse or circuit breaker
- Please note the IP (Ingress Protection) rating of this product when deciding the location for installation
- The shaver socket is rated to a maximum of 20VA
- This product is for indoor use only
- This product is Class II double insulated
- This product IP20 rated

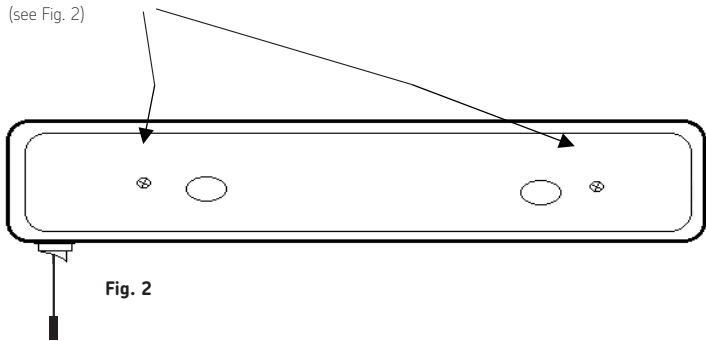
## INSTALLATION

- Provide power to the required point of installation
- Remove the diffuser by gently squeezing inwards top and bottom at both ends then pull away from the fitting (see Fig. 1)



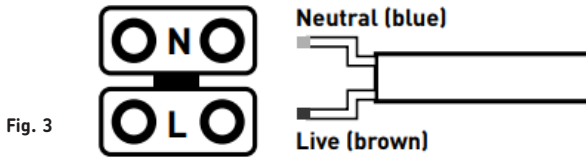
**Fig. 1**

- Remove the LED tube by pushing it in at one end and gently pulling out of the lamp holders
- Using the fitting as a template, mark the location of the fixing holes and drill the holes ensuring not to infringe with any gas/water pipes or electrical cables
- Remove the two screws at the rear of the fitting and remove the access plate to expose the terminal block (see Fig. 2)



**Fig. 2**

- Feed the cable through the rear of the access plate and ensuring correct polarity is observed carefully wire as shown in Fig. 3



- Replace the access plate and screws
- Align the fitting with the previously drilled holes and attach to the surface using the screws and wall plugs provided
- Carefully insert the LED tube back into the lamp holders and replace the diffuser
- Switch on and check for correct operation

Note - as a safety feature, this product will not operate while the diffuser is removed.

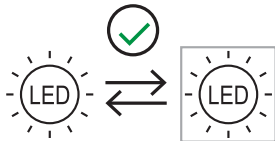
## WARNING

This product must be disconnected from the circuit if it is subjected to any high voltage or insulation resistance testing. Irreparable damage will occur if this instruction is not followed.

## GENERAL

This product contains a light source of energy efficiency class F to Regulation (EU) No 2019/2015

This product contains an LED light source which can be replaced by the end user.



Clean with a soft dry cloth only, do not use aggressive cleaning products or solvents which may damage the product.

This product is non-dimmable.

This product should be recycled in the correct manner when it reaches the end of its life. Check local authorities for where facilities exist.

## WARRANTY

This product has a warranty of 1 year from date of purchase. Failure to install in accordance with the current edition of the IEE Wiring Regulations, improper use, or removal of the batch codes will invalidate the warranty. If this product should fail within its warranty period, it should be returned to the place of purchase for a replacement. ML Accessories does not accept responsibility for any installation costs associated with the replacement product. Your statutory rights are not affected.

ML Accessories reserve the right to alter product specification without prior notice.

**INTERNATIONAL  
CONTACT DETAILS**



**230V  
50Hz**

**IP20**



**ML**  
ACCESSORIES LTD



**UK  
CA** **CE**



**32**

**ML Accessories Limited LU5 4LT**  
**[www.mlaccessories.co.uk](http://www.mlaccessories.co.uk)**