



INSTALLATION & MAINTENANCE MANUAL

DEA1TRB / DEA1TRBC / DEA1TRW
DEA2TRB / DEA2TRBC / DEA2TRW

GENERAL INSTRUCTIONS

These instructions should be read carefully and retained after installation by the end user for future reference and maintenance.

These instructions should be used to aid installation of the following products:

DEA1TRB / DEA1TRBC / DEA1TRW / DEA2TRB / DEA2TRBC / DEA2TRW

SAFETY

- This product must be installed in accordance with the latest edition of the IEE Wiring Regulations (BS7671) and current Building Regulations. If in any doubt, consult a qualified electrician
- Please isolate mains prior to installation or maintenance
- Please note the IP (Ingress Protection) rating of this product when deciding the location for installation
- This product is for indoor use only
- This product is Class I and must be earthed
- This product is IP20 rated

INSTALLATION

- Provide power to the required point of installation
- Unscrew the baseplate from the spotlight
- Using the baseplate as a template, mark the location for, and drill the fixing holes ensuring not to infringe with any gas/water pipes or electrical cables (see Fig. 1)
- Feed the mains cable through baseplate hole and secure it to the surface using the screws and wall plugs provided
- Connect the spotlight to the mains supply ensuring the correct polarity is observed: L – Live (brown), E – Earth (green/yellow), N – Neutral (blue)
- Remove the inner bezel by pulling it down and insert a suitable LED GU10 lamp (see Fig. 1)

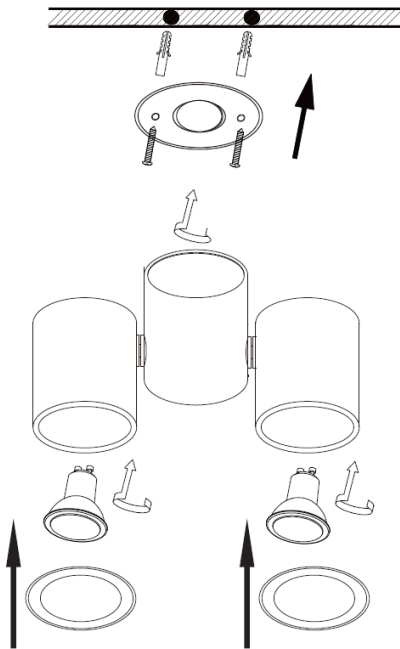


Fig. 1

- Reattach the inner bezel and the body of the downlight to the baseplate
- Switch on and check for correct operation

GENERAL

Clean with a soft dry cloth only, do not use aggressive cleaning products or solvents which may damage the product.

This product is dimmable dependent on lamp type.

This product should be recycled in the correct manner when it reaches the end of its life. Check local authorities for where facilities exist.

WARRANTY

This product has a warranty of 5 years from date of purchase. Failure to install this product in accordance with the current edition of the IEE Wiring Regulations (BS7671), improper use, or removal of the batch code will invalidate the warranty. If this product should fail within its warranty period, it should be returned to the place of purchase for a free of charge replacement. ML Accessories does not accept responsibility for any installation costs associated with the replacement product. Your statutory rights are not affected. ML Accessories reserve the right to alter product specification without prior notice.

**INTERNATIONAL
CONTACT DETAILS**



**230V
50Hz**

IP20



ML
ACCESSORIES LTD



**UK
CA CE**



143

ML Accessories Limited LU5 4LT
www.mlaccessories.co.uk