



ELECTRICAL

Rated Power, watts (24VDC, 1.8A External Power Supply)	30
Rated Power, watts (POE+, IEEE802.3af, class 3)	20
Driver Impedance, ohms	8
Effective Frequency Range, Hz	260 ~ 16,000
S.P.L. @ 4m, 1 watt, dB, 1/3 Octave, 1 kHz	82
S.P.L. @ 1m, 1 watt, dB, Test Signal Bandwidth 100 Hz ~ 10 kHz	108
S.P.L. @ 4m, Full power, 1/3 Octave, 1 kHz	94
S.P.L. @ 1m, Full power, Test Signal Bandwidth 100 Hz ~ 10 kHz	122
Dispersion at 1k/2k Hz, Degrees	105/49 Horizontal 142/68 Vertical

ENVIRONMENTAL

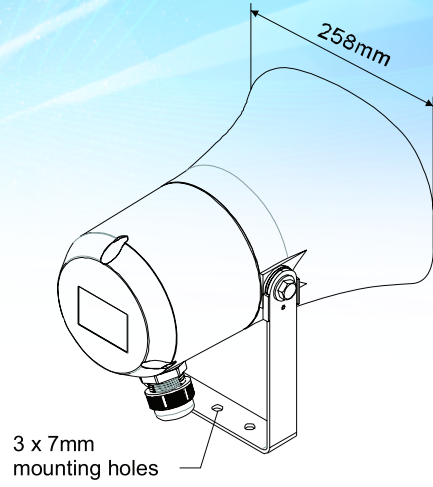
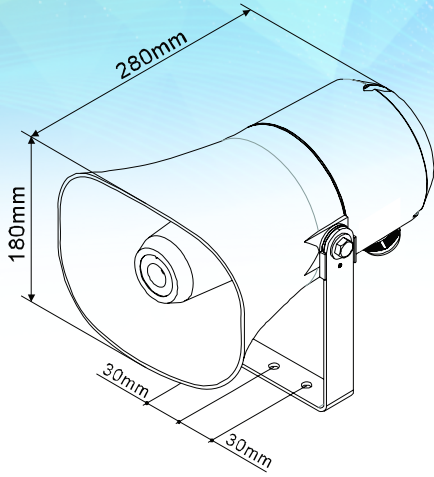
IP Rating	66
Max/Min Ambient Temp	70°C/-25°C
Relative Humidity	≤ 95 %

MECHANICAL

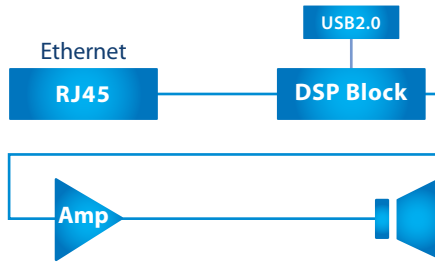
Dimension, W x H x D mm	258 x 180 x 280
Net weight, Kgs	2.3
Colour (Unless Specified)	RAL 7035
Material	Low smoke zero Halogen UL-94V0 Plastic with UV inhibitors
Mounting	Stainless Steel U Bracker, and hardware

FEATURES

Configured, controlled, managed and monitored via web browser
Optional microphone input for hands-free duplex intercom
3 control inputs and 1 contact output
Network audio codec: G.711, G.722, WAV, MP3
USB interface for music and message playing and storage
Part of the TERRACOM family, can be integrated with TerraManager



FUNCTION BLOCK



DISPERSION ANGLES

		Horizontal	Vertical
1 Oct. Pink noise	500 Hz	203°	360°
1 Oct. Pink noise	1 kHz	105°	142°
1 Oct. Pink noise	2 kHz	49°	68°
1 Oct. Pink noise	4 kHz	37°	40°

FREQUENCY RESPONSE

