



BT7864

VC CAMERA SHELF FOR TWIN POLE FLOOR STANDS INSTALLATION GUIDE & PARTS LIST

This Pack Contains 1 Mount

PLEASE KEEP THIS FOR FUTURE REFERENCE

SYSTEM 2
COMPATIBLE

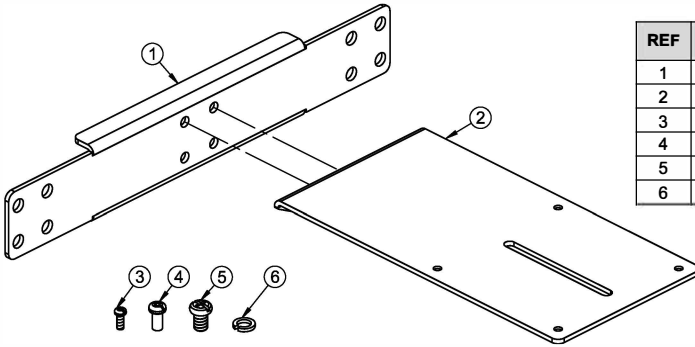


FEATURES

- Designed to mount a video conferencing camera centrally between 2 poles
- Ideal for use with B-Tech Trolleys and Floor Stands
- Max load 4kg
- Fits most VC cameras with 1/4 inch thread
- Features 100 x 100mm fixing points
- Can also be used with Nettop PCs with VESA® 75 x 75mm fixings
- Compatible with ø50mm and ø60mm single and double attachment collars (sold separately)



PARTS LIST



REF	PART NAME	QTY
1	TWIN POLE ADAPTOR	1
2	SHELF	1
3	M4 x 10mm SCREW	4
4	UNC 1/4" x 1/2" SCREW	1
5	M8 x 12 SCREW	4
6	M8 SPRING WASHER	4

PRODUCT DIMENSIONS

