

BT8441

UNIVERSAL FLAT SCREEN WALL MOUNT



Designed for medium and large sized screens, the BT8441 supports weights up to 80kg and features a low-profile design that mounts screens just 30mm from the wall. The universal interface accommodates mounting patterns up to 455 x 400mm and comes with adjustment screws which allow the screen to be levelled once mounted.

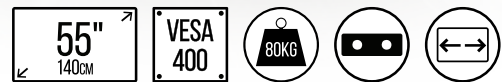
SPECIFICATION

Recommended screen size	up to 55"
Max load	80kg*
Fits universal patterns	up to 455 x 400mm
Distance from wall	30mm
Colour	Black

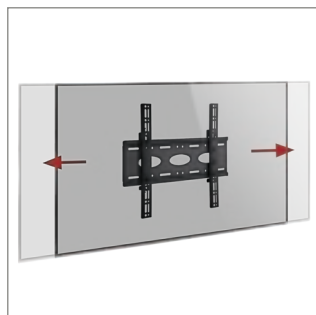
**Please note the maximum load is reduced to 50kg when single pole mounted*

FEATURES

- Lateral adjustment of screen once mounted
- Levelling screws allow adjustment of screen height
- Security locking screws and Allen key to prevent unauthorised screen removal
- Collar compatible ideal for pole mounting
- Simple 'hook-on' installation with all mounting hardware included



Low profile design mounts screen only 30mm from the wall



Lateral adjustment of screen once mounted

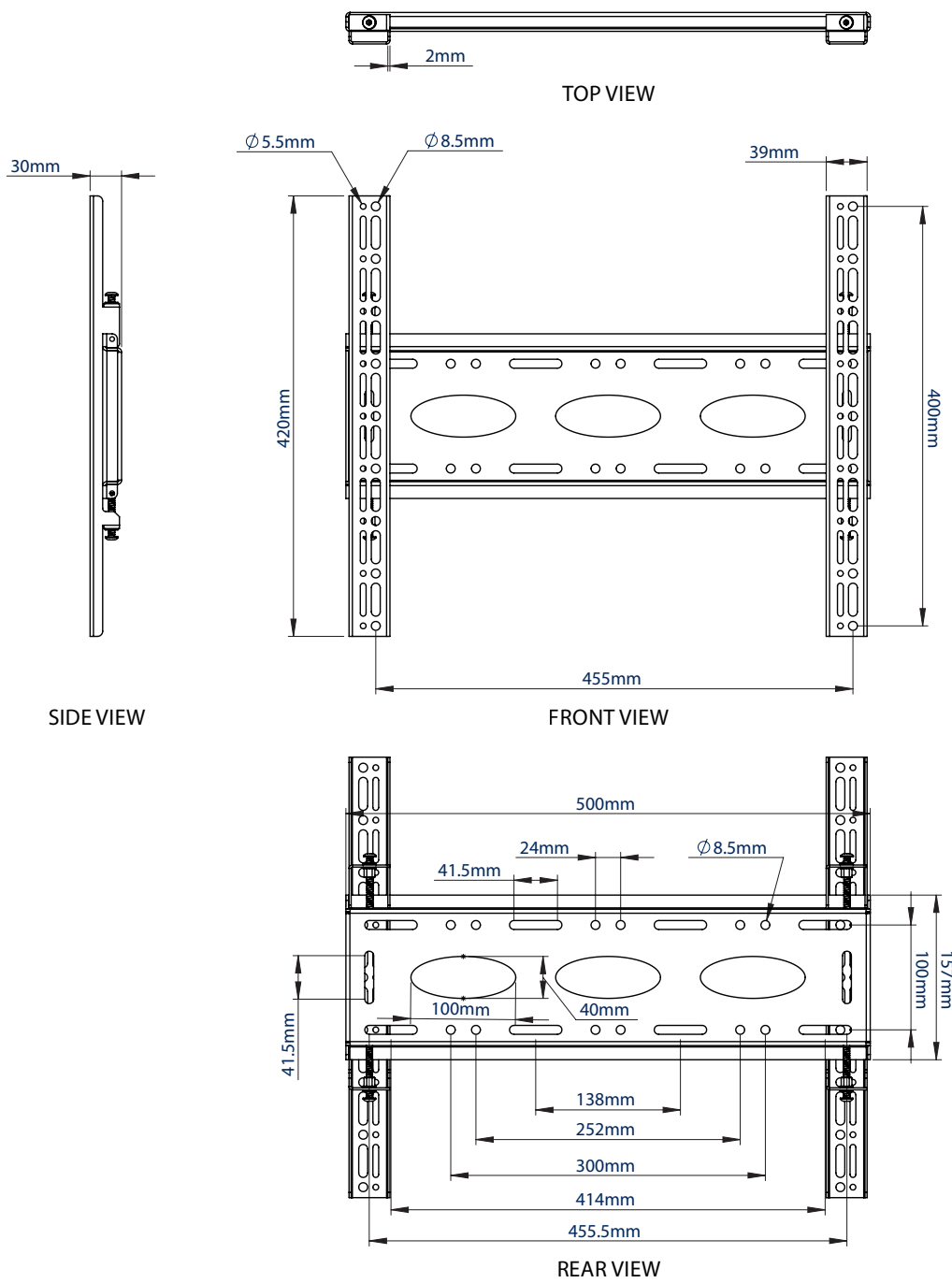


Levelling screws allow adjustment of screen height



Security locking screws help prevent unauthorised removal of screens





PACKING INFORMATION

COLOUR:	ORDER REF:	EAN CODE:	MASTER CARTON QTY:	INNER CARTON QTY:	MASTER CARTON WEIGHT:	MASTER CARTON CUBE:
Black	BT8441/B	5019318651205	4	0	12.8kg	0.0211cbm

RELATED PRODUCTS



BT7822
Heavy Duty Floor / Ceiling Mount for ø50mm poles



BT7850
50mm Diameter Poles available as 0.25m - 3m in Black, Silver or Chrome



BT7851
Telescopic Ceiling Mount for ø50mm poles



BT7841
ø50mm 2-Piece Accessory Collar designed to attach a variety of different mounts and accessories onto B-Tech poles

© 2015 B-Tech Mounts. All rights reserved. B-Tech is a registered trademark of B-Tech Mounts. All other trademarks are the property of their respective owners. B-Tech Mounts is not responsible for any damage caused by improper installation or use. B-Tech Mounts is not responsible for any damage caused by improper installation or use. B-Tech Mounts is not responsible for any damage caused by improper installation or use. B-Tech Mounts is not responsible for any damage caused by improper installation or use.

SS-V2-BT8441-050819