

DS-1602ZJ/CORNER

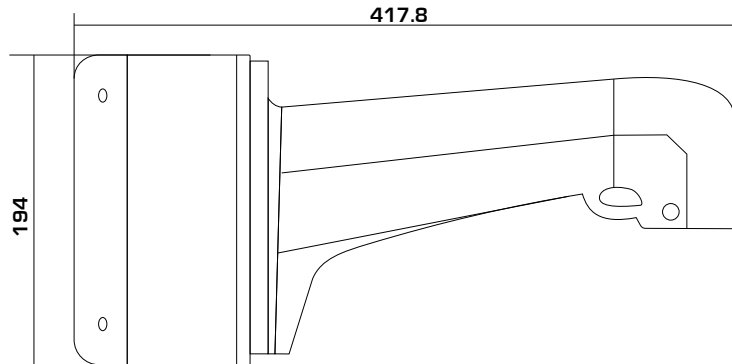


FEATURES:

- Aluminum alloy & steel material with surface spray treatment
- Exquisite and small design
- Design of safety rope for more convenient installation

DS-1602ZJ/CORNER

SPEC	
Parameters	Wall mount
Colour	Hik White
Feature	Suitable for PTZ camera
Material	Aluminum Alloy
Dimension	176.8 x 194 x 417.8mm
Weight	2809g



unit: mm

