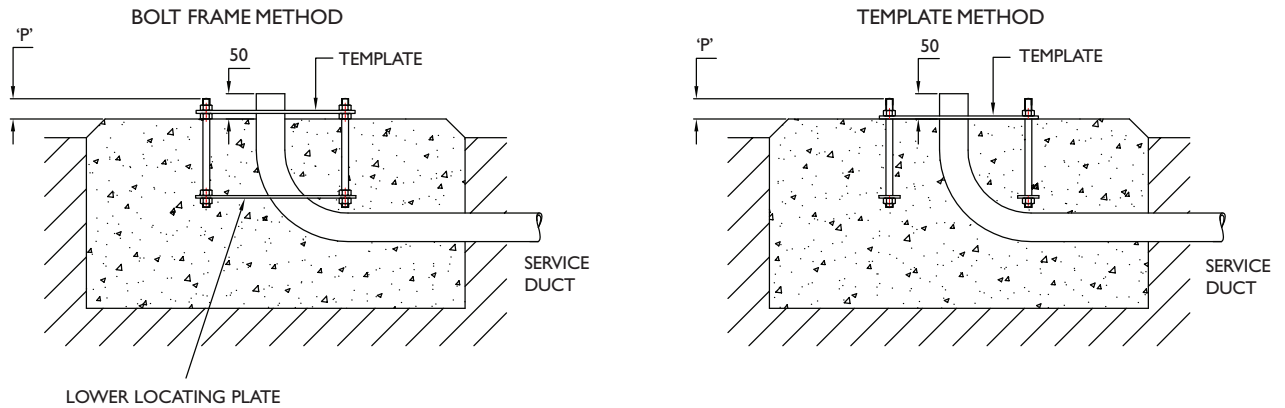


Flange Plate

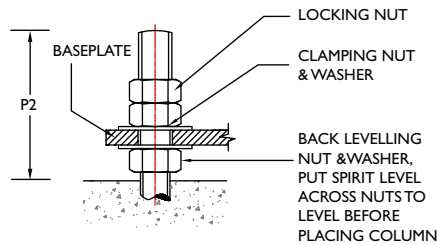


Flange Plate Installation Method

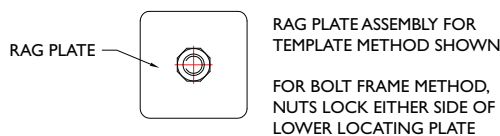
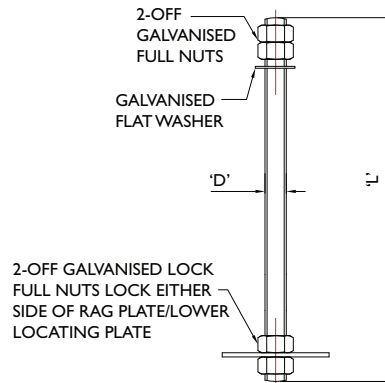
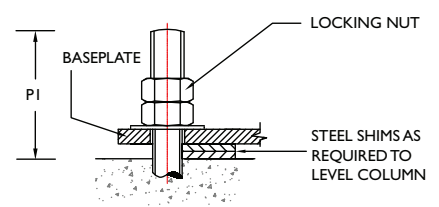
1. Excavate as per recommended area and depth.
2. Shutter off top edge level and place ducting - ensure that all shuttering is supported.
3. Assemble bolts through template and screw nuts on so that recommended thread is protruding through template to give the relevant 'P' dimension when bolts are set in foundation, as noted in table.
4. If using bolt frame, ensure that the nut below the top template will be clear of the finished concrete surface level when the 'P' dimension is achieved.
5. For bolt frame method, position the assembled bolt frame in place within foundation pit, using cross slats to bridge pit and position service ducting so that a minimum of 50mm of duct will be proud of the finished concrete surface level.
6. Pour concrete level with top of shuttering, tamp down and level surface.
7. For bolt frame method, use a vibrating poker whilst pouring concrete to ensure no air traps around bolt frame lower locating plate.
8. For template method, push bolts down into concrete so that template is flat on concrete and nuts are against template with bolts vertical. Ensure that cable duct end is through entry hole in template and protrudes by 50mm min.
9. Allow 72 hours for concrete to cure before placing pole/column
10. Remove template before placing pole.

Note: Where back nuts are used to level pole/column it is essential that a load bearing grout is used to fill the void between base plate and concrete. Failure to do this may cause excessive deflection in pole.

BACK NUT LEVELLING



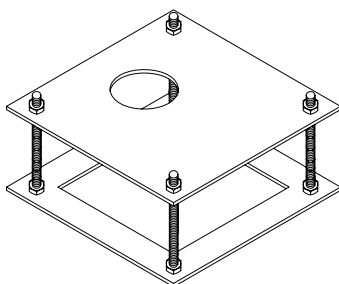
SHIMMING TO LEVEL



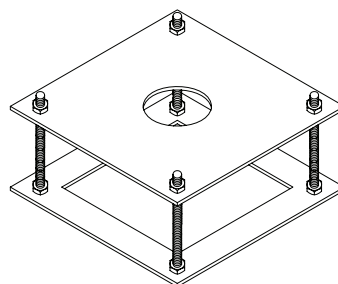
Bolt projection			Tightening
Bolt size	P1 in mm	P2 in mm	Torque - NM
M16	50	70	90
M20	60	90	190
M24	80	120	280
M27	100	150	400

Bolt Frames

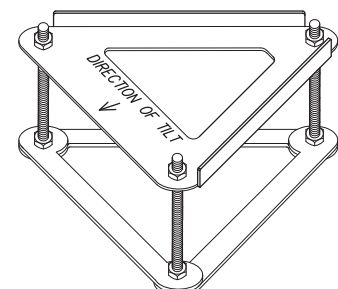
BP BOLT FRAME OPTION
For tilt-down columns & towers



FB BOLT FRAME OPTION
For fixed columns and tubular fixed & tilt-down poles



ANCT BOLT FRAME
standard on ANCT towers



FOR ANCT INSTALLATION DETAILS REFER TO SHEET 4940-26