

BT7512

SINGLE ARM FLAT SCREEN WALL MOUNT WITH TILT & SWIVEL



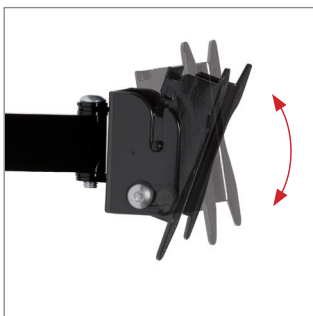
Designed to mount small flat screens, the BT7512 features a single swivel arm with easy tilt adjustment and a full 360° screen rotation for easy portrait or landscape mounting. The wall plate features 'OWLS' on wall levelling system to ensure a straight and smart installation. The BT7512 is also compatible with B-Tech's range of poles and collars, increasing the number of different ways it can be mounted, ideal for commercial applications as well as home installations. Security screws are provided to help prevent unauthorized removal of the screen.

SPECIFICATION

Recommended screen size	up to 28"
Max load	15kg
VESA® compatibility	75 x 75 & 100 x 100
Tilt adjustment	+17 / -10°
Swivel at wall	180°
Rotation	360°
Distance from wall	75mm to 280mm
Colour	Black

FEATURES

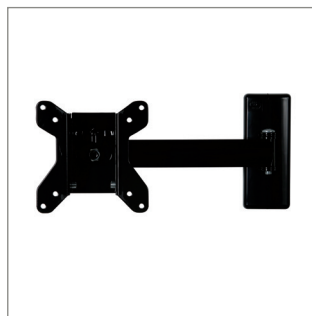
- Easy tilt and swivel adjustment
- Screen rotation allows screen to be mounted in landscape or portrait orientation
- Features 'OWLS' On Wall Levelling System
- CLIPLOGIC™ cable management included
- Compatible with B-Tech System 2 professional range
- Mounts to B-Tech BT7850 poles using x2 BT7841 / BT7052 Collars
- Security locking screws and Allen key provided help prevent unauthorised removal of the screen
- Simple 'hook-on' installation
- Coverplates included for a neat and tidy installation
- All mounting hardware included



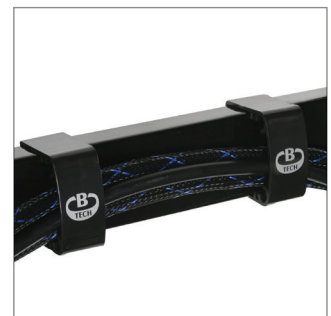
Easy tilt adjustment of +17° / -10°



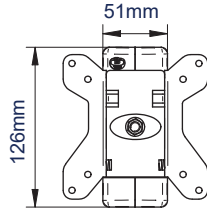
Security locking screws provided



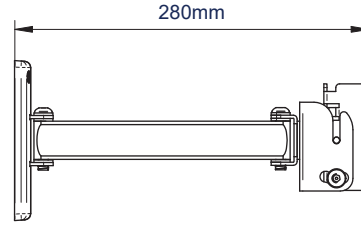
Space saving design - folds flat to the wall



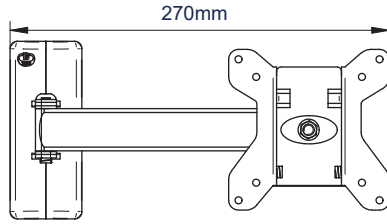
CLIPLOGIC™ cable management



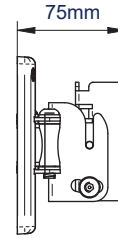
FRONT VIEW - MAXIMUM EXTENSION



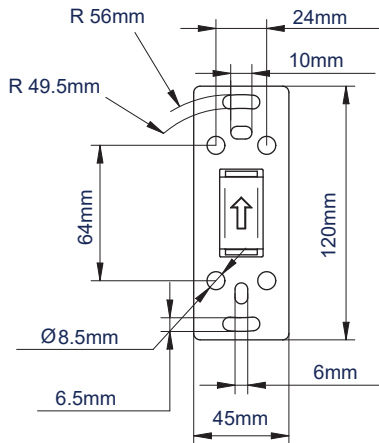
SIDE VIEW - MAXIMUM EXTENSION



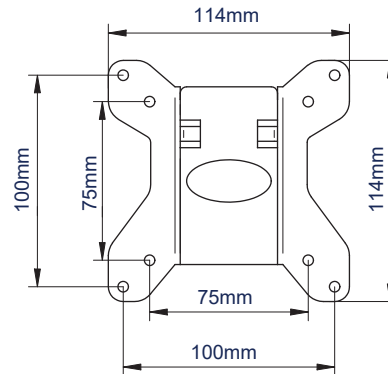
FRONT VIEW - FOLDED TO WALL



SIDE VIEW - FOLDED TO WALL



WALL PLATE - FRONT VIEW



INTERFACE PLATE - FRONT VIEW

PACKING INFORMATION

COLOUR:	ORDER REF:	EAN CODE:	MASTER CARTON QTY:	INNER CARTON QTY:	MASTER CARTON WEIGHT:	MASTER CARTON CUBE:
Black	BT7512/PB	5019318751226	8	0	9.3kg	0.024cbm

ACCESSORIES AND RELATED PRODUCTS



BT7513
Double Arm Flat Screen Wall Mount with Tilt & Swivel for screens up to 28"



BT7514
Single Arm Flat Screen Wall Mount with Tilt & Swivel for screens up to 47"



BT7542
VESA Adaptor arms converts 100 x 100mm to 200 x 100mm



BT7841
2 x Accessory Collars attaches the mount to Ø50mm poles

© 2015 B-Tech Limited. All rights reserved. The information in this document is subject to change without notice. B-Tech Limited and B-Tech are registered trademarks of B-Tech International Design & Manufacturing Limited. B-Tech is a registered trademark of B-Tech International Design & Manufacturing Limited. B-Tech is not liable for loss or damage caused by improper use, installation or modification of the product. Any reproduction or transmission or publication of any part of this specification is strictly prohibited unless prior written permission has been granted by B-Tech International Design & Manufacturing Limited. E&OE.

SS-BT7512-V4-151021 European Trademark Number: 001713280-0005