

Datasheet

V3SR - Surface monitored magnetic lock, LED

Product Description

The V3 Series are surface maglocks with a holding force of up to 300kg. It is part of an extensive range of electromagnetic locks manufactured by CDVI, offering high quality and high performance locking with exceptional features to enhance your installation.

The magnets are delivered with security "catch" ropes to prevent the magnetic lock from falling, ensuring a side mounting without risk of injury.

A door positioning monitor ([DPM300](#)) is available for a more secure system.

**PATENTED
BREVETÉ**



Key Features

- Internal surface electro-magnetic lock
- Up to 300kg holding force
- Live status monitoring
- Patented locking technology
- Monitored version ([V3SR](#)), Audible feedback version ([V3SR-B](#))
- Visual indication with LEDs




 Certification

 DEEE

RoHS Certification

 IP42

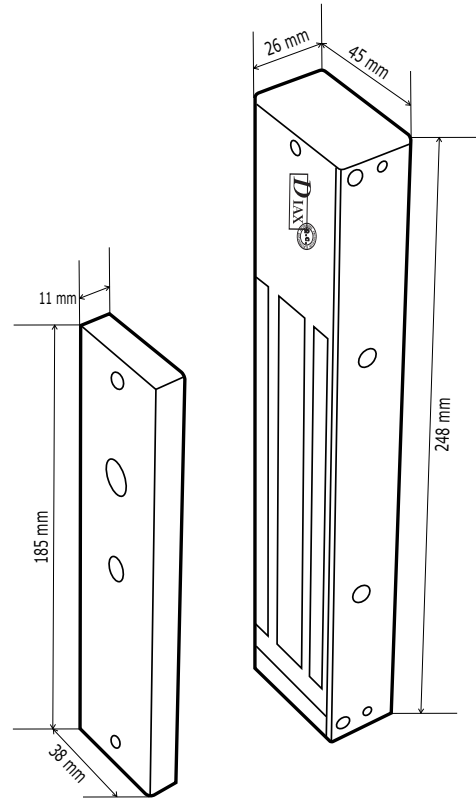
 IK10

 EN1634-1/2 (30 min)

 -25°C to 70°C

Product Specifications

Mounting:	Surface
Lock mode:	Fail safe
Holding force:	300kg
Contacts:	NO/NC
Relays:	1
Weight:	1.09kg
Dimensions:	
• Maglock:	254 x 45 x 28 mm
• Armature place:	185 x 38 x 11mm



Electrical Specifications

Power input:	12/24Vdc
Consumption:	480mA @ 12Vdc 240mA @ 24Vdc

Accessories



300-ZL

ZL bracket for 300kg maglock



DPM-300

Door position monitor for 300kg surface maglock

Range References

F0526000002	V3SR	Surface 300kg magnetic lock, monitored, fire rated
F0526000016	V3SR-B	Surface 300kg magnetic lock, monitored with buzzer