

Key Feature

- Each extending up to 8 buttons when working with modular door station
- Support up to 4W power supply for the light of buttons
- Cascading up to 20 alarm in modules

Specification

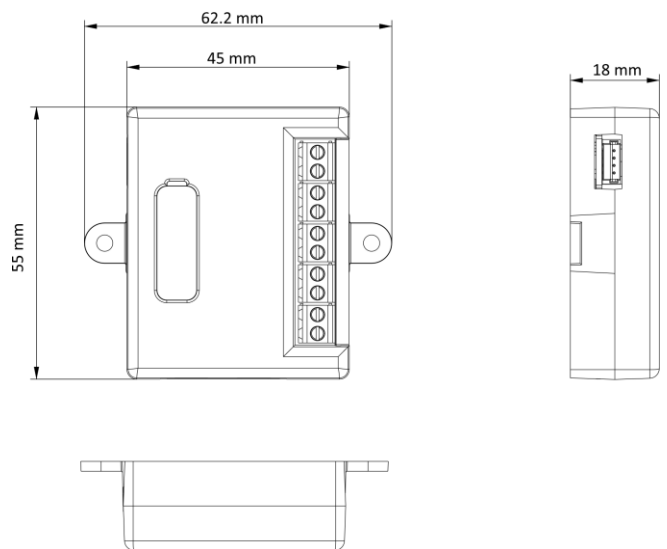
System parameters	
Operating system	Embedded operation system
CPU	Embedded MCU Processor
Device interfaces	
Alarm input	8
DIP switch	1, 8 bit
Modular connection interface(485+1 2V DC)	2
Power supply output	Max to 4 W, 12 VDC
General	
Power consumption	≤ 6 W (full load power consumption of 20-module cascade)
Installation	Surface mounting
Weight	With package: 100 g Without package: 32.2 g
Working temperature	-30° C to 60° C (-22° F to 140° F)
Working humidity	10% to 90%

Dimensions	62.2 mm × 55 mm × 18 mm (2.45" × 2.17" × 0.71")
------------	---

Available Model

DS-KD-AL8

Dimension



Accessory

Optional

DS-KD8003-IME2(B)/S

DS-KD8003Y-IME2

DS-KD8003-IME1(B)/NS

DS-KD8003Y-IME2/NS

DS-KD8003-IME1(B)/Flush

DS-KD8003-IME1(B)

DS-KD8003-IME1(B)/S

DS-KD8003-IME1(B)/Surface

Headquarters

No.555 Qianmo Road, Binjiang District,
Hangzhou 310051, China
T +86-571-8807-5998
www.hikvision.com



Follow us on social media to get the latest product and solution information.

