

# ACTpro IOM (Input/Output Module)

Installation and Configuration Instructions



**VANDERBILT**

Data and design subject to change without notice. / Supply subject to availability.

© 2019 Copyright by Vanderbilt International Ltd.

We reserve all rights in this document and in the subject thereof. By acceptance of the document the recipient acknowledges these rights and undertakes not to publish the document nor the subject thereof in full or in part, nor to make them available to any third party without our prior express written authorization, nor to use it for any purpose other than for which it was delivered to him.

Hereby, Vanderbilt International (IRL) Ltd declares that this equipment type is in compliance with the following EU Directives for CE marking:

- Directive 2014/30/EU (Electromagnetic Compatibility Directive)
- Directive 2011/65/EU (Restriction of the use of certain hazardous substances Directive)

The full text of the EU declaration of conformity is available at: <http://van.fyi?Link=DoC>



<http://van.fyi?Link=IOM-IG>

# Table of Contents

---

|                                      |          |
|--------------------------------------|----------|
| <b>1 Overview</b> .....              | <b>4</b> |
| 1.1 Features .....                   | 4        |
| 1.2 ACTEnterprise support .....      | 4        |
| 1.3 Technical specification .....    | 4        |
| <b>2 Installation</b> .....          | <b>5</b> |
| 2.1 Setting I/O Module address ..... | 5        |
| 2.2 Requirements .....               | 6        |
| 2.3 Inputs .....                     | 6        |
| 2.4 Factory default .....            | 6        |
| 2.5 Network cable .....              | 6        |
| 2.6 LED functionality .....          | 7        |

# 1 Overview

---

This product is an 8 Input/8 Output device that allows the ACTpro controller to be used in applications where signalling to other equipment is required. Examples of this are elevator control, alarm systems, CCTV switching and general monitoring.

A maximum of 4 Input/Output Modules may be connected to any single controller, giving control of up to 32 relays and 32 inputs per ACT4000/ACT1520.

See also:

- <http://van.fyi?Link=ACTproIOM>

## 1.1 Features

---

- 8 form C relays
- 8 supervised inputs
- Tamper protection
- 3 status LEDs
- Timer for each output
- Input timer
- Output switched ON/OFF by log event, input or timezone
- ACTEnterprise support

## 1.2 ACTEnterprise support

---

- Named inputs and outputs
- Inputs and outputs Logged
- Normally open/closed
- Active on timezone
- Active on event, user, door or user group
- Active on input on/off
- Active on output on/off

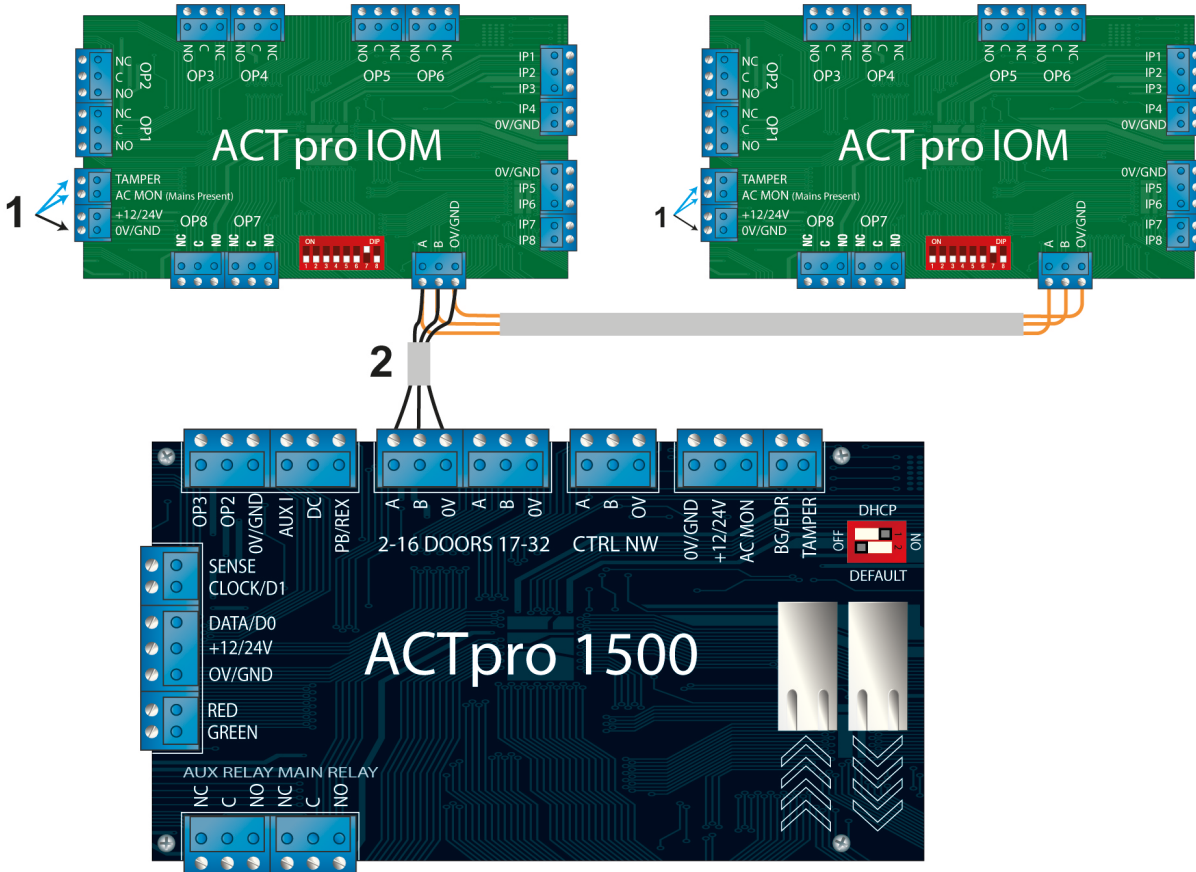
## 1.3 Technical specification

---

|                              |  |
|------------------------------|--|
| <b>Voltage</b>               | 12–24V DC  |
| <b>Current Consumption</b>   | 250mA  |
| <b>Communications</b>        | RS485 to ACTpro controller   |
| <b>Operating Temperature</b> | -10°C to +50°C / +14°F to +122°F                                   |
| <b>Mounting</b>              | Surface  |
| <b>Installation</b>          | Indoors  |
| <b>Weight</b>                | 500g / 1.102lb   |
| <b>Dimensions</b>            | 236mm wide, 165mm high, 55mm deep / 9¼" wide x 6½" high x 2¼" deep |

## 2 Installation

Up to four I/O Modules can be connected to each controller.



Installation schematic

- 1 If the AC MON (Mains Present) or the Tamper inputs are unused they should be connected to 0V/GND.
- 2 A/B/OV RS485 wiring total length 1.4km/0.87miles.

**Note:** The length of the power cable to the I/O module should be 30m max.

### 2.1 Setting I/O Module address

I/O Module is set using the DIP switches:

I/O Module Addr 1:


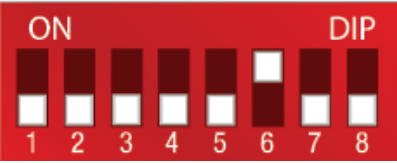
Switch 8 ON



I/O Module Addr 2:

Switch 7 ON



|  |  |
|--|--|
| <p><b>I/O Module Addr 3:</b><br/>Switch 7 &amp; 8 ON</p> |  |
| <p><b>I/O Module Addr 4:</b><br/>Switch 6 ON</p>         |  |

## 2.2 Requirements

1. Wiring inputs and outputs
2. 12–24V DC power
3. Wiring I/O Module A, B, and 0V/GND RS485 signals to controller
4. Setting the I/O Module address

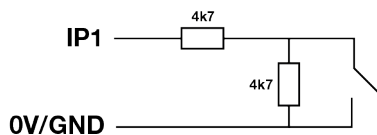
Configuration of input/output operation is performed from ACT Enterprise.

## 2.3 Inputs

All eight inputs may be supervised (enabled from ACT Enterprise).

Supervised inputs may be in one of four states: normal, active, short or open circuit.

Supervised inputs require the installer to provide two resistors per supervised input as shown below.



## 2.4 Factory default

This unit should be reset to its factory default condition before installation.

To do this, power the unit up with ALL switches in the OFF position.

The Blue Comms and Green LEDs will illuminate for about two seconds.

The correct DIP switch settings may then be set.

## 2.5 Network cable

Use either:

1. Single shielded twisted pair, Belden 9501 or similar.
2. CAT5 Cable: A/B must use the same twisted pair.

---

## 2.6 LED functionality

---

Comms Blue LED indicates the status of communications with the controller.

Comms Blue LED will flash rapidly when online with the controller. If there is a problem it will flash slowly (about once a second).

Green LED will flash if an event occurs on the I/O Module.



© Vanderbilt 2019

Data and design subject to change without notice.

Supply subject to availability.

Document ID: A-100566-a

Edition date: 08.04.2019

**VANDERBILT**

[vanderbiltindustries.com](http://vanderbiltindustries.com)

 [@VanderbiltInd](https://twitter.com/VanderbiltInd)

 [Vanderbilt Industries](https://www.linkedin.com/company/Vanderbilt-Industries)

Issued by **Vanderbilt International Ltd.**  
Clonshaugh Business and Technology Park  
Clonshaugh, Dublin D17 KV 84, Ireland

 [vanderbiltindustries.com/contact](http://vanderbiltindustries.com/contact)