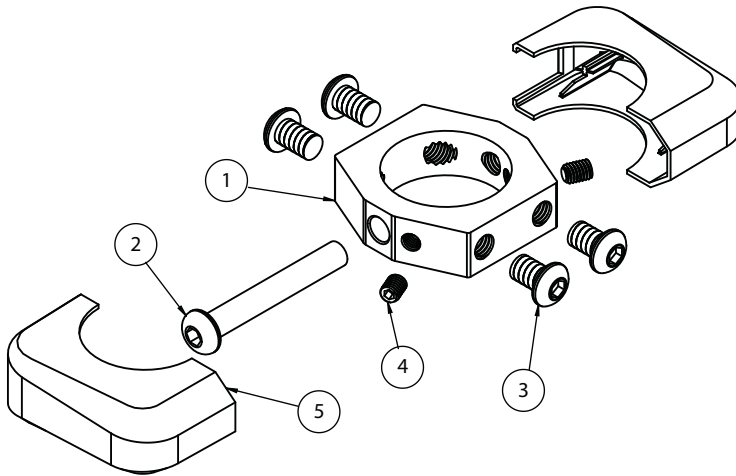


# BT5952

## Ø38MM ACCESSORY COLLAR

USE WITH A BT5935 POLE

### PARTS LIST



ITEM	DESCRIPTION	QTY
1	Ø38mm ACCESSORY COLLAR	1
2	M8 x 55mm HEX SCREW	1
3	M8 x 12mm HEX SCREW	4
4	M6 x 8mm GRUB SCREW	2
5	COVER PLATE	2
6	5AF HEX KEY	1
7	3AF HEX KEY	1

# BT5952

## Ø38MM ACCESSORY COLLAR



### PRODUCT DIMENSIONS

