



IDEAL FOR  
POLE  
MOUNTING

# BT7017

## I-BEAM / GIRDER MOUNT FOR Ø50MM POLES



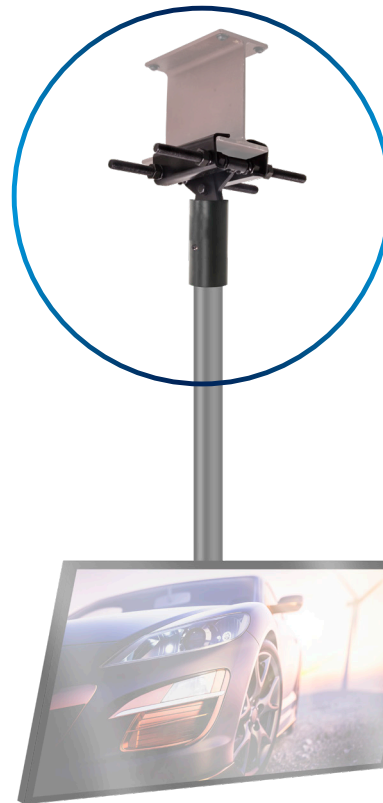
The BT7017 enables the suspension of pole mounted solutions up to 140kg from I-Beam girders. Compatible with B-Tech's range of BT7850 Ø50mm poles the locking bolt securely sets the pole vertically at any angle up to 36 degrees.

### SPECIFICATION

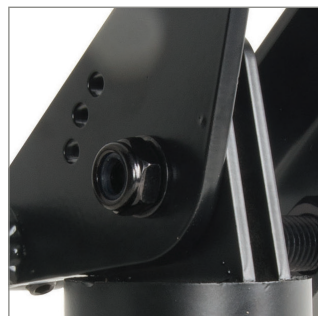
Max load	140kg
Tilt	up to +/-36°
Adjustable width	80mm - 250mm

### FEATURES

- Adjustable I-Beam (girder) mount for use with Ø50mm poles
- Locking bolt included to securely set the pole vertical at any angle up to 36°
- Fits I-Beams and thick steel from 80mm - 250mm in width
- Integrated cable management



For use with Ø50mm poles



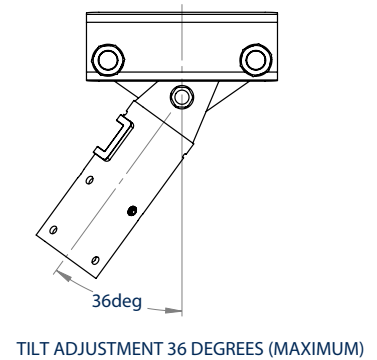
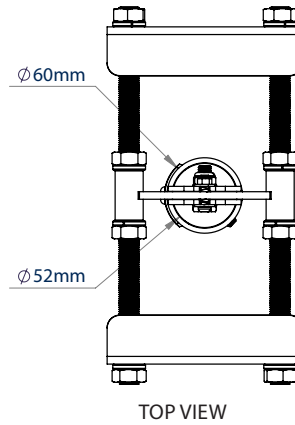
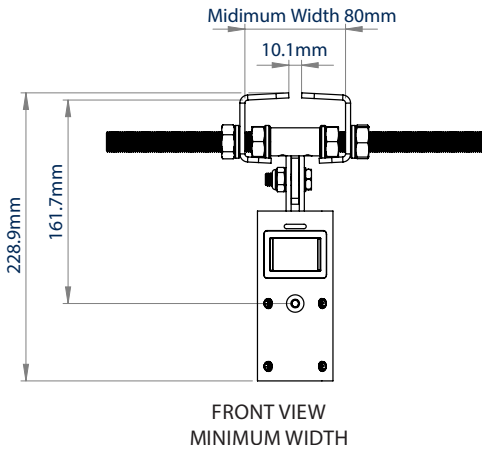
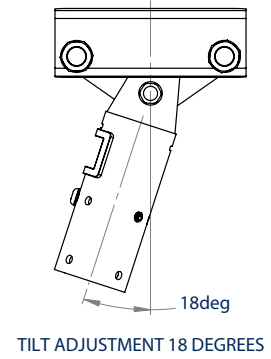
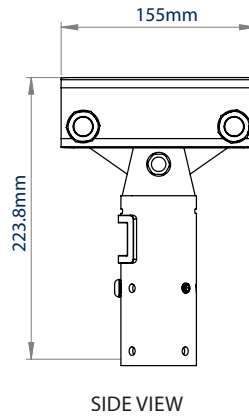
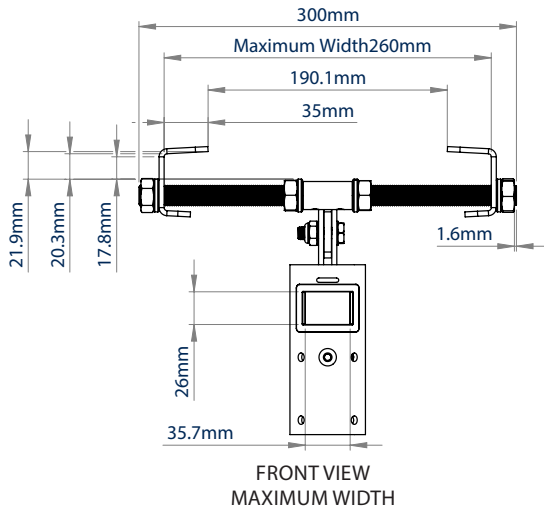
Locking bolt included to securely set the pole vertical at any angle up to 36°



Fits I-Beams and thick steel from 80mm - 250mm in width



Integrated cable management



PACKING INFORMATION

COLOUR:	ORDER REF:	EAN CODE:	PCS (QTY):	INNER CARTONS:	MASTER CARTONS:	MASTER CARTON WEIGHT:	MASTER CARTON CUBE:
Black	BT7017/B	5019318070181	4	0	1	13.3kg	0.035cbm

ACCESSORIES & RELATED PRODUCTS



**BT7012**  
Purlin Mount for use with Ø50mm pole



**BT7825**  
Truss Mount for use with Ø50mm pole



**BT7808**  
Ceiling / wall mount with tilt designed to mount a Ø50mm pole to a flat or angled ceiling



**BT7850**  
Ø50mm Poles available in White, Chrome or Black and in a variety of lengths from 0.5m to 3m

© 2015 B-Tech International Pty. Ltd. All rights reserved.  
The information in this specification is current technical specifications at the time of print.  
We warrant the design and construction of the product to meet the technical specifications without limitation. This B-Tech International Pty. Ltd. does not warrant the product to meet the technical specifications without limitation.  
B-Tech International Pty. Ltd. is not responsible for any damage caused by improper or negligent installation or use of the product. Any reproduction or transmission or publication of any part of this specification is strictly prohibited unless prior written permission has been granted by B-Tech International Pty. Ltd.