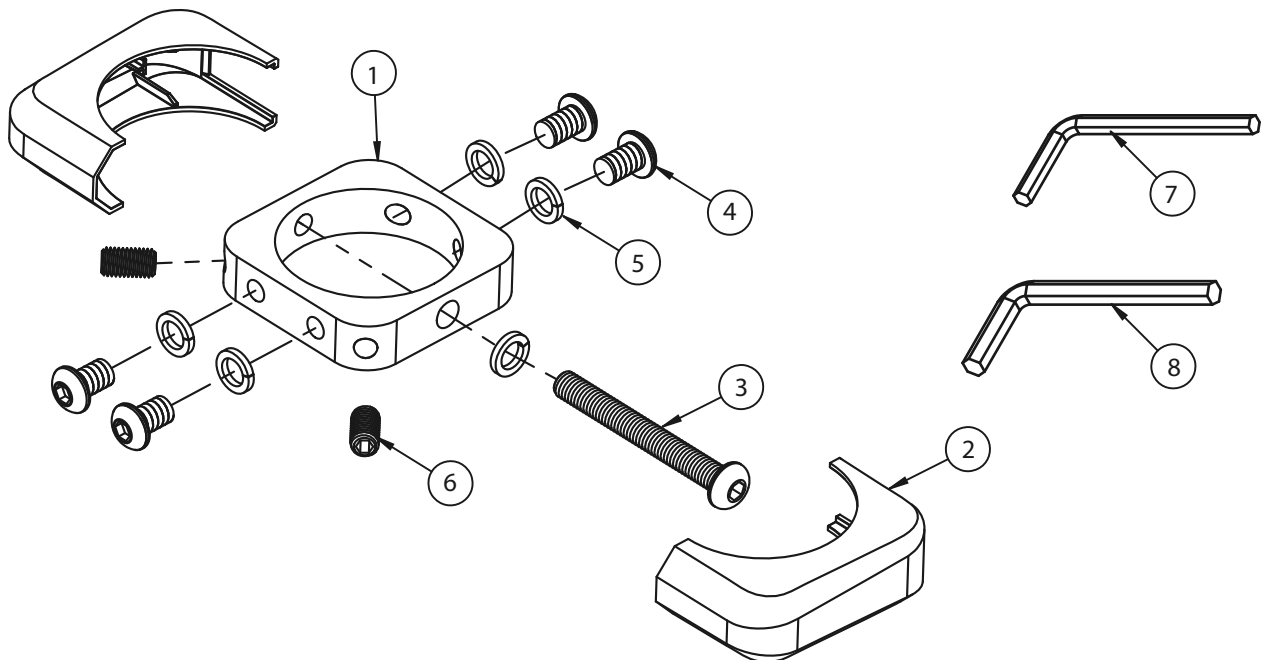


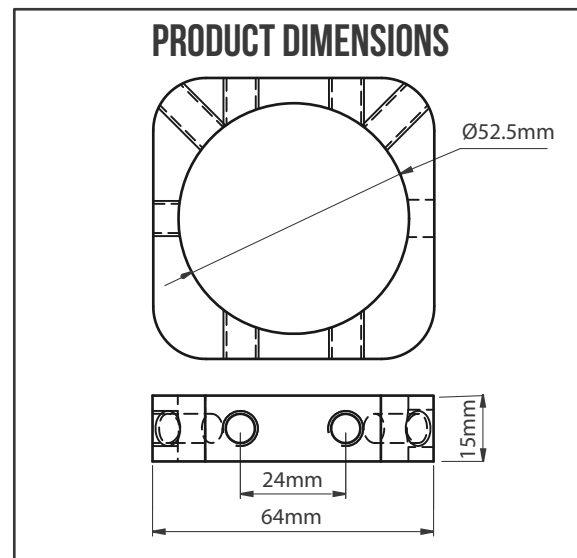
# BT7052

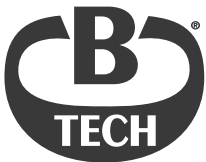
Ø50MM ACCESSORY COLLAR  
FOR USE WITH BT7850 POLES

## PARTS LIST



ITEM	DESCRIPTION	QTY
1	Ø50mm COLLAR	1
2	COLLAR COVER	2
3	M8 x 65mm HEX SCREW	1
4	M8 x 12mm HEX SCREW	4
5	M8 SPRING WASHER	5
6	M8 x 15mm GRUB SCREW	2
7	4AF HEX KEY	1
8	5AF HEX KEY	1



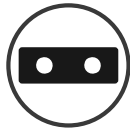


B-TECH AV MOUNTS®

# BT7052

## Ø50MM ACCESSORY COLLAR

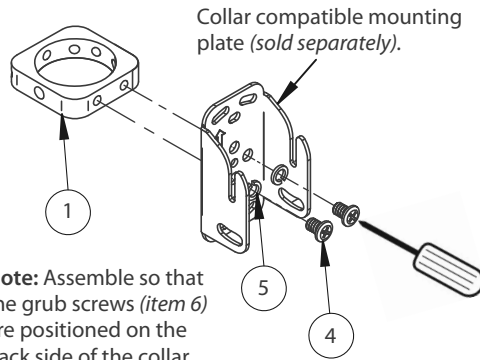
### INSTALLATION INSTRUCTIONS



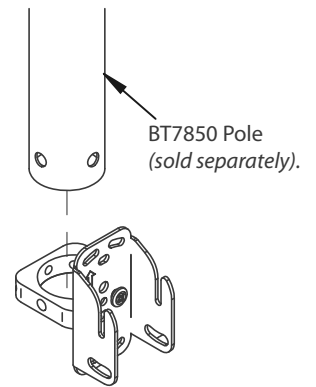
**SYSTEM 2**

The BT7052 is compatible with the System 2 range of professional install products from B-Tech.

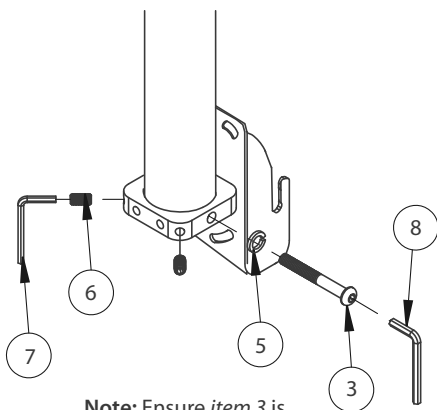
#### 1. ATTACH THE COLLAR TO A COLLAR COMPATIBLE MOUNTING PLATE



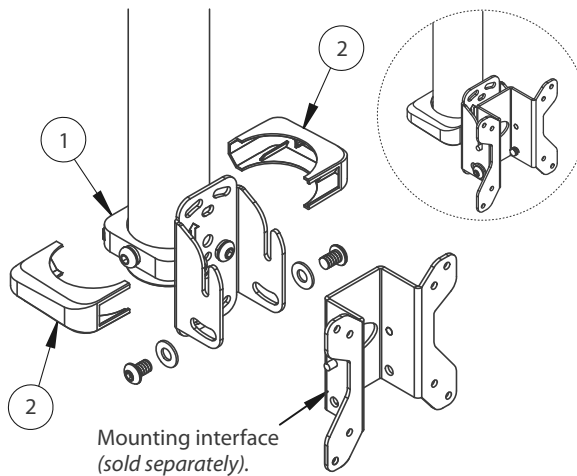
#### 2. SLIDE COLLAR ONTO A Ø50MM POLE



#### 3. TIGHTEN GRUB SCREWS (ITEM 6) TO FIX COLLAR TO POLE

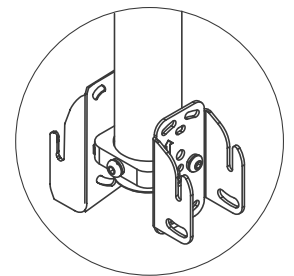


#### 4. ADD COVERS AND MOUNTING INTERFACE



#### BACK-TO-BACK MOUNTING

2 extra pieces of items 4 & 5 are included for back-to-back mounting on the collar.



**Note:** Item 2 cannot be used when mounting items back-to-back

