

B-TECH AV MOUNTS®

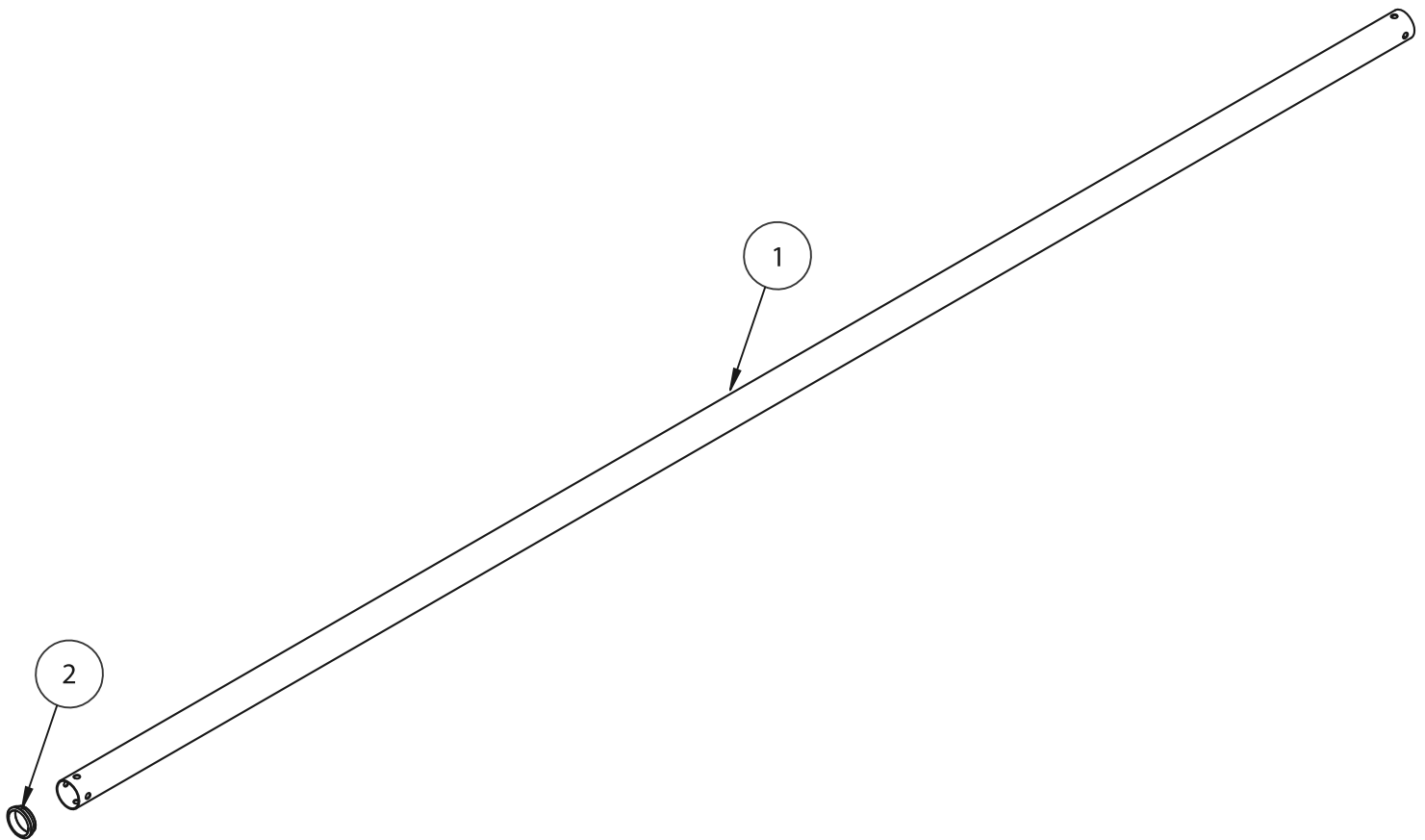
B-TECH AV MOUNTS

# BT7850-300

Ø50MM POLE  
LENGTH: 3M

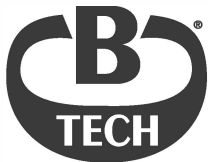


## PARTS LIST



ITEM	DESCRIPTION	QTY
1	Ø50mm POLE : LENGTH 3M	1
2	POLE END RING	1





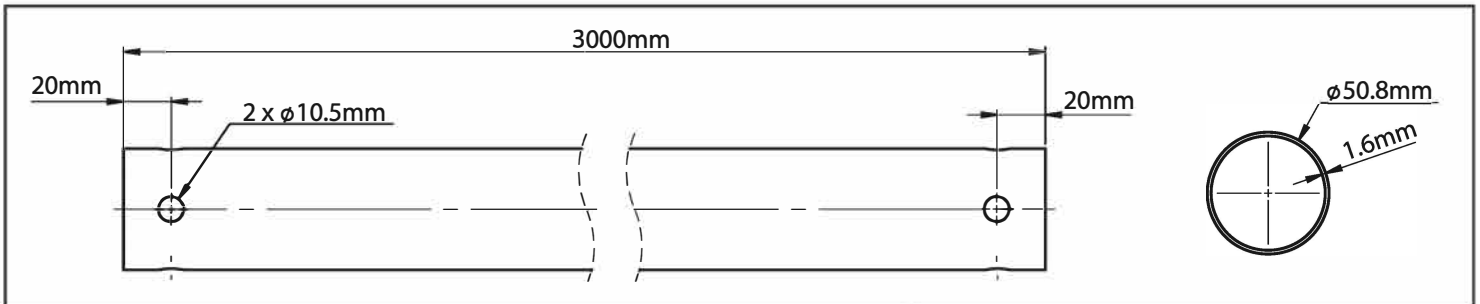
B-TECH AV MOUNTS

# BT7850-300

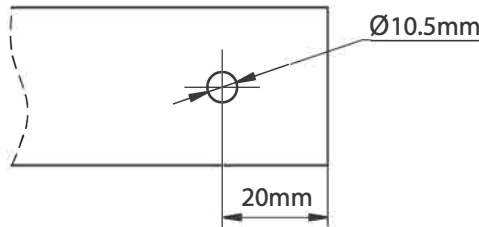
Ø50MM POLE  
LENGTH: 3M



## PRODUCT DIMENSIONS

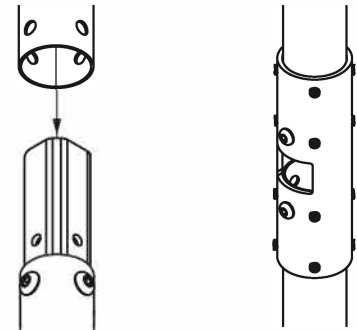


### SAFETY BOLT HOLE SIZE AND LOCATION



**Note:** When drilling new holes always ensure they are diametrically opposite each other so that the bolt can pass straight through.

### OPTIONAL POLE JOINERS



**BT7823 INTERNAL  
POLE JOINER**

**BT7824 EXTERNAL  
POLE JOINER**

### ATTENTION!

Identical safety bolt holes are provided at each end of the pole. Two orientations are provided at 90 degrees to each other so that you can best align your AV equipment with the cable management hole in the ceiling mount or pole joiner.

If poles are cut to length during installation then these holes should be re-drilled at the equipment end, leaving the original holes for use in the ceiling mount. The pole end ring is then used to cover the sawn end and protect your cables from the rough edge while leaving a clean finish.

Safety bolts are included with all Ø50mm 'System 2' products and **MUST** be set in place before any AV equipment is fitted.

It is imperative that a safety bolt is used through all ceiling mounts and pole joiners.

#### CONTACT:

[info@btechavmounts.com](mailto:info@btechavmounts.com)

©2020 B-Tech International Design & Manufacturing Ltd. All rights reserved.

B-Tech AV Mounts is a division of B-Tech International Design & Manufacturing Ltd.

B-Tech AV Mounts and the B-Tech logo are registered trade marks.

All other brands and product names are trademarks of their respective owners.

Photographs are for illustrative purposes only. E&OE.

AMA-BT7850-300-V1.1-1120-44 MADE IN THE P.R.C.

