



INCREMENTED
 CEILING DROP

BT7851

ADJUSTABLE DROP CEILING MOUNT

FOR Ø50MM POLES

BT7851 Adjustable Drop Ceiling Mount is designed for use with B-Tech's System 2 and System X range of component based products. System 2 projector mounts fit directly to the bottom of the telescopic pole, back-to-back screen installations can be created using System X products, while B-Tech flat screen wall mounts can be attached to the pole using BT7841 accessory collars. System 2 poles can also be added to the ceiling mount for extended length using BT7823 or BT7824 pole joiners. BT7851 features a telescopic pole that allows the installation to be raised or lowered from 600mm - 1000mm in 25mm increments and supports heavy loads of up to 100kg. Cover plates are included to hide ceiling fixings creating a smart and tidy finish.

SPECIFICATION

Max load	100kg
Ceiling drop	600 - 1000mm
Ceiling platediameter (without cover plate)	Ø150mm
Colour	Black or White

FEATURES

- Quick adjustable drop in 25mm increments for easy positioning of mounted screens
- Compatible with a variety of existing B-Tech ranges such as System 2 and System X
- Allows back-to-back configurations to be created when combined with BT8390-CFK Collar Fixing Kits or System X components
- Compatible with all B-Tech Ø50mm accessory collars such as the BT7841
- Poles are internally unobstructed for cables to pass through easily
- Features safety bolt holes at top and bottom for secure installation
- Poles can be added using BT7823 & BT7824 Pole Joiners
- Cover plate and cable management included for a neat and tidy installation



Adjustable drop in 25mm increments for the perfect height positioning with a maximum drop of 1m



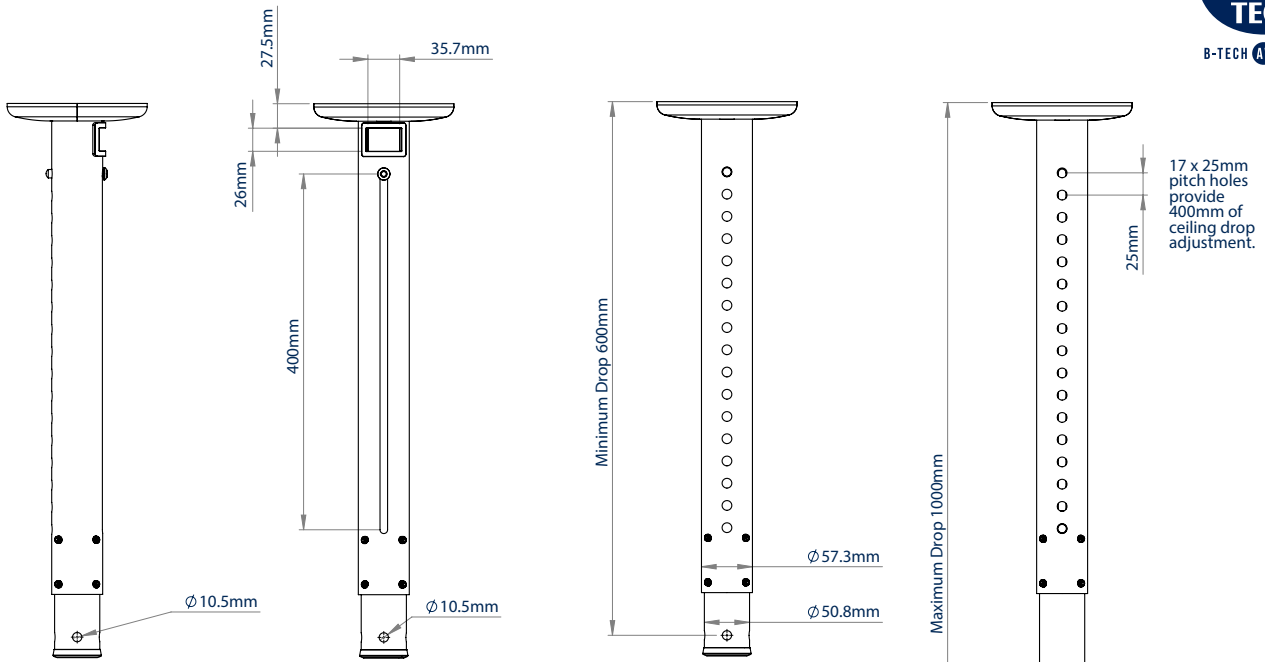
Allows back-to-back configurations to be created when combined with BT8390-CFK Collar Fixing Kits or System X components



Compatible with a large range of B-Tech mounts, including projector and screen mounts



Includes cover plate and cable management for a neat and tidy installation

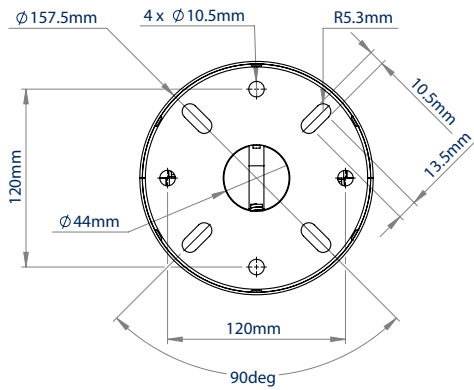


SIDE VIEW

REAR VIEW

FRONT VIEW /
MINIMUM EXTENSION

FRONT VIEW /
MAXIMUM EXTENSION



CEILING PLATE

PACKING INFORMATION

ORIGINAL DESIGNS BY B-TECH AV MOUNTS - REGISTERED DESIGNS & PATENTS APPLY

COLOUR:	ORDER REF:	EAN CODE:	MASTER CARTON QTY:	INNER CARTON QTY:	MASTER CARTON WEIGHT:	MASTER CARTON CUBE:
Black	BT7851/B	5019318078972	4	0	15.3kg	0.092cbm
White	BT7851/W	5019318306266	4	0	15.3kg	0.092cbm

ACCESSORIES AND RELATED PRODUCTS



BT893
Heavy Duty Projector Ceiling Mount
with Micro-Adjustment



BT7051
Heavy Duty Accessory
for use with Ø50mm poles



BT7841
2-Piece Accessory Collar
for use with Ø50mm poles



BT7823 & BT7824
Internal & External Pole Joiners can be
used with BT7851 to add longer pole lengths

© 2019 B-Tech International Pty. Ltd. All rights reserved.
The information in this specification is for reference only. It is not intended to be used as a substitute for the technical specifications of the product.
We warrant the fit to the technical specifications and physical specifications without limitation. This is limited to the extent of the information provided in this specification.
B-Tech International Pty. Ltd. is not liable for loss or damage caused by improper installation or use of the product. Any reproduction or transmission of any part of this
specification is strictly prohibited unless prior written permission has been granted by B-Tech International Pty. Ltd. or its authorized manufacturing licensee. E&OE