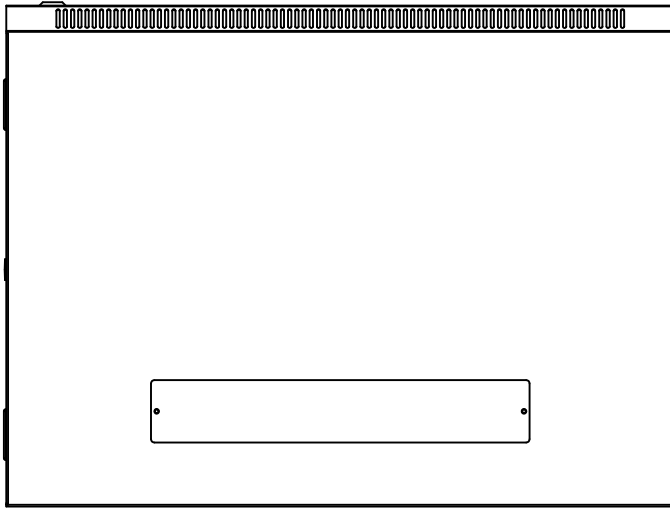
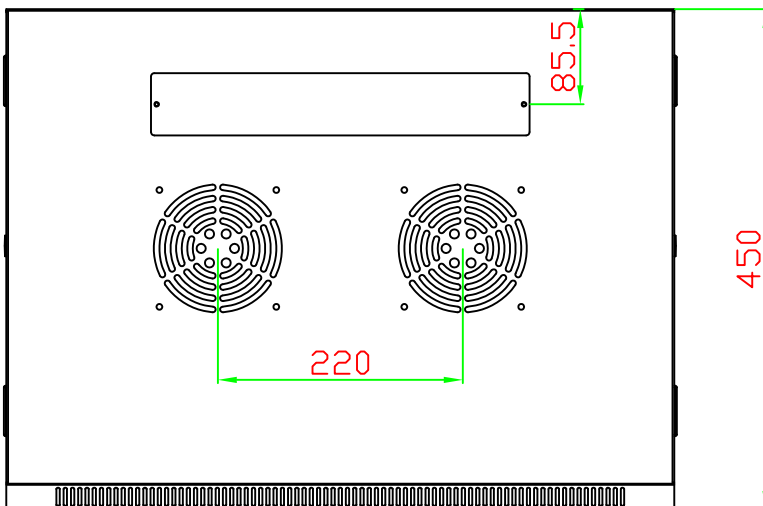
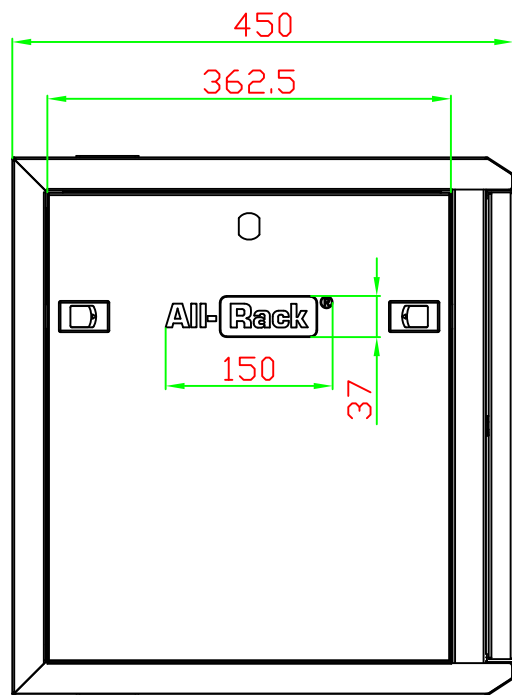
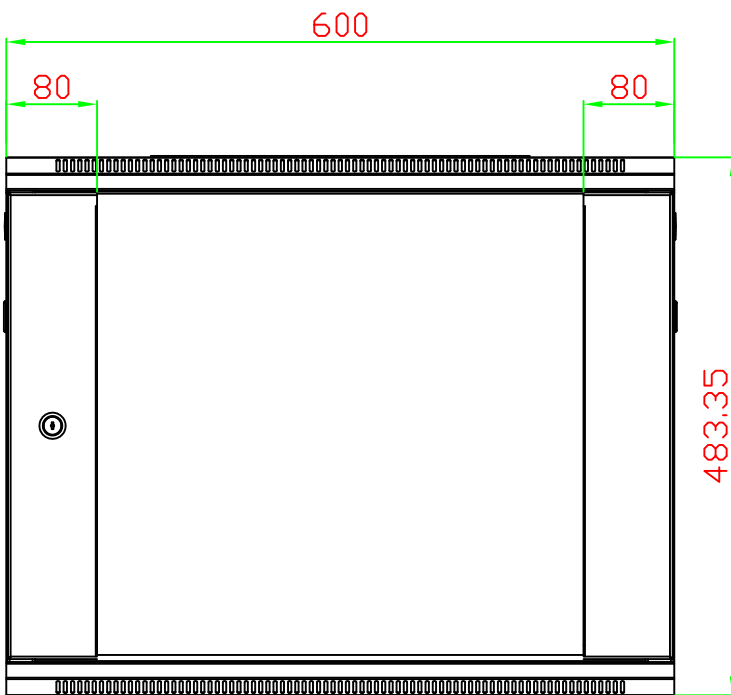


**9U 600MM (W) X 450MM (D)**



Allrack wall mounted racks and cabinets are designed to be your perfect solution for all your rack mountable equipment. Available in 4 depths, 300mm, 450mm, 550mm, and 600mm and ideal for small network installations where floor space doesn't allow for a floor standing Server Cabinet. This product is perfect for a single person installation with easy fixing holes. All ALL-RACK wall cabinets have removable and lockable side panels for easy access and security. All cabinets are available in assembled form.



**Specification**

**Partcode:** CAB9WB450BLK

**Colour:** Black RAL9005

**Loading Capacity:** 40kg

**Useable Depth:** 315mm

**Doors:** 180 Degrees opening angle & can be mounted on left or right hand side with simple spring latch.

**Security:** Lockable Doors and side Panels

**Ventilation:** Optional Fans can be fitted if required

**Cable entry:** As standard the cabinets are supplied with blank panels however these can be changed into a brush strip panel as an optional extra

**Installation:** The cabinets can be mounted to the wall by using the fixing holes on the back on the cabinet

**Uprights:** Front and rear mounting rails are fully adjustable