

3K CdorVu PoC Fixed Bullet Camera

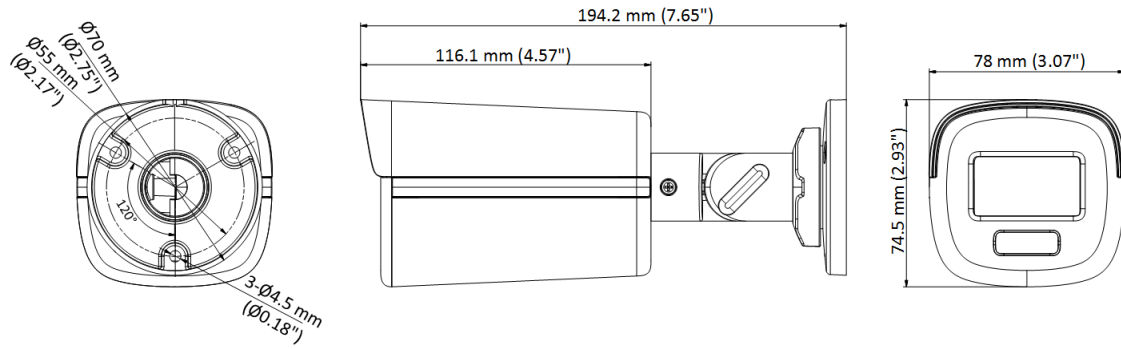


- High quality imaging with 3K, 2960 × 1665 resolution
- Excellent low-light performance
- Clear imaging against strong back light due to 130 dB true WDR technology
- 3D DNR technology delivers clean and sharp images
- 2.8 mm, 3.6 mm fixed focal lens
- Up to 40 m white light distance for bright night imaging
- Water and dust resistant (IP67)
- 24/7 color imaging with F1.0 aperture

▪ Specification

Camera	
Image Sensor	1/1.8" 3K CMOS
Signal System	PAL/NTSC
Max. Resolution	2960 (H) × 1665 (V)
Min. Illumination	0.0003 Lux @ (F1.0, AGC ON), 0 Lux with white light
Shutter Time	PAL: 1/25 s to 1/50,000 s; NTSC: 1/30 s to 1/50,000 s
Light Alarm	Solid Light Alarm (White Light)
Angle Adjustment	Pan: 0° to 360°, Tilt: 0° to 180°, Rotation: 0° to 360°
Lens	
Lens Type	2.8 mm, 3.6 mm fixed focal lens
Focal Length & FOV	3.6 mm, horizontal FOV: 95°, vertical FOV: 50°, diagonal FOV: 115° 2.8 mm, horizontal FOV: 112°, vertical FOV: 60°, diagonal FOV: 133°
Lens Mount	M16
Image	
Frame Rate	3K@20fps, 4MP@25fps/30fps, 1080p@25fps/30fps
Wide Dynamic Range (WDR)	≥130 dB
White Light	Auto/Off
Image Parameters Switch	STD/HIGH-SAT/HIGHLIGHT
AGC	Yes
Day/Night Mode	Color
White Balance	Auto/Outdoor/Global/Manual
Image Enhancement	WDR,BLC,HLC,Global,HLS
Privacy Mask	4 programmable privacy masks
Noise Reduction	3D DNR/2D DNR
Image Settings	Brightness, Contrast, Mirror, Smart Light, Anti-Banding
Interface	
Video Output	1 HD analog output
Event	
Motion Detection	4 programmable motion areas
General	
Language	English
Operating Condition	-40°C to 60°C (-40°F to 140°F), Humidity: 90% or less (non-condensing)
Power Supply	12 VDC ± 25%/PoC.at <i>*You are recommended to use one power adapter for one camera, and use 2-pin power supply for long-distance power supply.</i>
Consumption	Max. 4 W
Material	Metal
White Light Range	Up to 40 m
Communication	HIKVISION-C
Dimension	194.2 mm × 78 mm × 74.5 mm (7.65" × 3.07" × 2.93")
Weight	Approx. 550 g (1.21 lb.)
Approval	
Protection	IP67

▪ **Dimension**



▪ **Accessory**

▪ **Optional**

Junction box

