

DS-2CE78H0T-IT3E/GREY 5 MP PoC Fixed Turret Camera



- High quality imaging with 5 MP, 2560 × 1944 resolution
- 2.8 mm and 3.6 mm fixed focal lens
- Up to 40 m IR distance for bright night imaging
- Water and dust resistant (IP67)



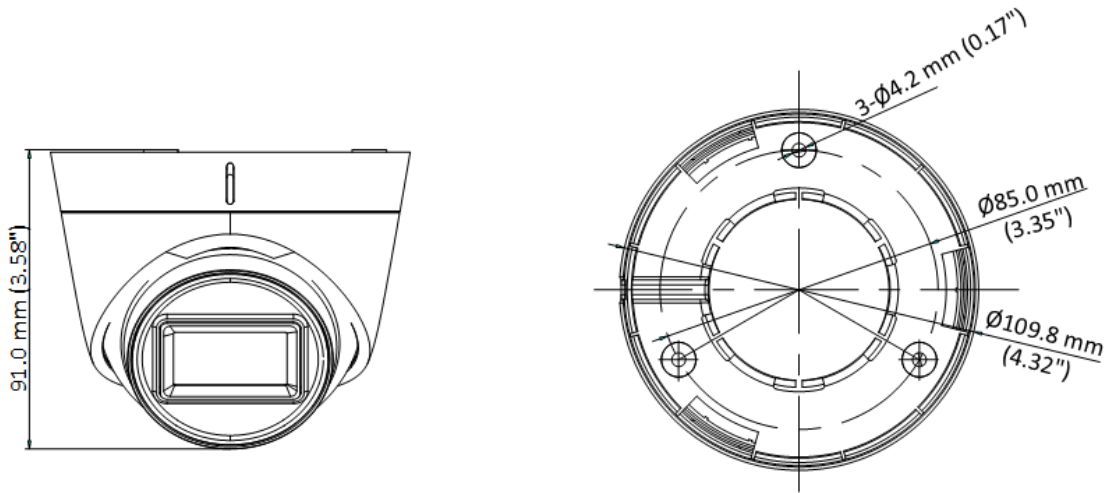
▪ Specification

Camera	
Image Sensor	5 MP CMOS
Max. Resolution	2560 (H) × 1944 (V)
Min. Illumination	0.01 Lux @ (F2.0, AGC ON), 0 Lux with IR
Shutter Time	PAL: 1/25 s to 1/50, 000 s NTSC: 1/30 s to 1/50, 000 s
Day & Night	ICR
Angle Adjustment	Pan: 0 to 360°, Tilt: 0 to 75°, Rotation 0 to 360°
Signal System	PAL/NTSC
Lens	
Lens Type	2.8 mm and 3.6 mm fixed focal lens
Focal Length & FOV	2.8 mm, horizontal FOV: 85°, vertical FOV: 63°, diagonal FOV: 110° 3.6 mm, horizontal FOV: 80°, vertical FOV: 63°, diagonal FOV: 105°
Lens Mount	M12
Image	
Image Parameters Switch	STD/HIGH-SAT
Image Settings	Brightness, Sharpness, Smart IR
Frame Rate	5 M @ 20 fps, 4 M @ 30 fps, 4 M @ 25 fps, 1080P @ 30 fps, 1080P @ 25 fps
Day/Night Mode	Auto/Color/BW (Black and White)
Wide Dynamic Range (WDR)	Digital WDR
Image Enhancement	DWDR, BLC, HLC, Global
Noise Reduction	2D DNR
White Balance	Auto/Manual
AGC	Yes
Interface	
Video Output	1 HD analog output
General	
Material	Front Cover: Plastic Main Body: Metal
Dimension	91.0 mm × Ø109.8 mm (3.58" × Ø4.32")
Weight	Approx. 326 g (0.72 lb.)
Operating Condition	-40 °C to 60 °C (-40 °F to 140 °F), humidity: 90% or less (non-condensation)
Communication	HIKVISION-C
Language	English
Power Supply	12 VDC ±25%/PoC.af <i>*You are recommended to use one power adapter for one camera, and use 2-pin power supply for long-distance power supply.</i>
Consumption	Max. 3 W
IR Range	Up to 40 m
Approval	
Protection	IP67

▪ Available Model

DS-2CE78HOT-IT3E(C)

▪ **Dimension**



▪ **Accessory**

▪ **Optional**

DS-1280ZJ-TR13/ GREY Junction Box		DS-1280ZJ-S /GREY Junction Box	DS-1272ZJ-110- TRS/GREY Wall mount	
