

5 MP PoC Motorized Varifocal Turret Camera

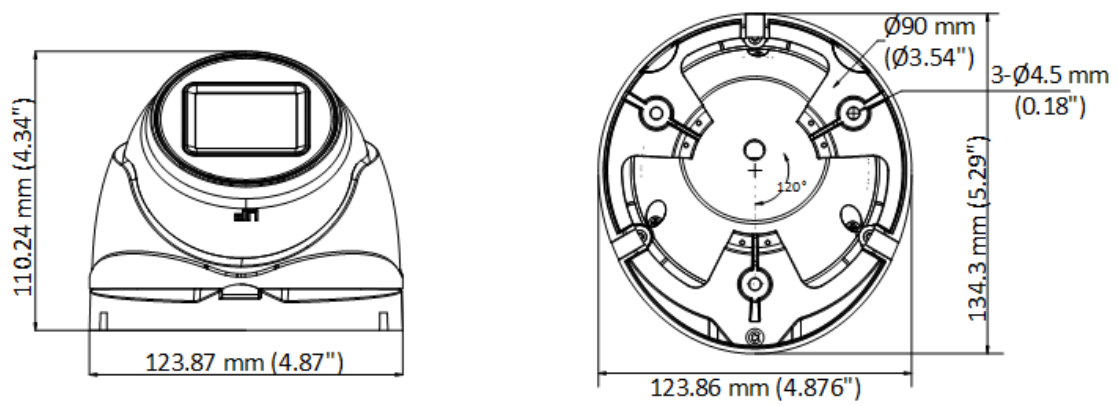


- High quality imaging with 5 MP, 2560 × 1944 resolution
- 2.7 mm to 13.5 mm motorized varifocal lens
- Up to 40 m IR distance for bright night imaging
- Water and dust resistant (IP67)

▪ Specification

Camera	
Image Sensor	5 MP CMOS
Signal System	PAL/NTSC
Resolution	2560 (H) × 1944 (V)
Frame Rate	TVI: 5 M @ 20 fps, 4 M @ 30 fps, 4 M @ 25 fps, 1080p @ 30 fps, 1080p @ 25 fps AHD: 5 M @ 20 fps, 4 M @ 30 fps, 4 M @ 25 fps CVI: 4 M @ 30 fps, 4 M @ 25 fps CVBS: PAL/NTSC
Min. Illumination	0.01 Lux @ (F1.2, AGC ON), 0 Lux with IR
Shutter Time	PAL: 1/25 s to 1/50,000 s; NTSC: 1/30 s to 1/50,000 s
Lens	2.7 mm to 13.5 mm motorized varifocal lens
Field of View	horizontal FOV: 95° to 26°, vertical FOV: 72° to 20°, diagonal FOV: 126° to 33°
Lens Mount	Φ14
Day & Night	IR Cut Filter
WDR (Wide Dynamic Range)	Digital WDR
Angle Adjustment	Pan: 0° to 360°, Tilt: 0° to 75°, Rotation: 0° to 360°
Image	
Day/Night Mode	Auto/Color/BW (Black and White)
Image Mode	STD/HIGH-SAT
AGC	Yes
White Balance	Auto/Manual
AE (Auto Exposure) Mode	DWDR,BLC,HLC,Global
Noise Reduction	2D DNR
Language	English
Function	Brightness,Smart IR,Sharpness
Interface	
Video Output	1 HD analog output
General	
IR Range	Up to 40 m
Operating Conditions	-40°C to 60°C (-40°F to 140°F), Humidity: 90% or less (non-condensing)
Power Supply	12 VDC±15%/PoC.at <i>*You are recommended to use one power adapter for one camera, and use 2-pin power supply for long-distance power supply.</i>
Consumption	Max 8.4 W
Protection Level	IP67
Material	Metal
Communication	HIKVISION-C
Dimension	123.87 mm × 110.24 mm × 134.3 mm (4.87" × 4.34" × 5.29")
Weight	Approx. 595 g (1.31 lb.)

▪ Dimension



▪ Accessory

▪ Optional

	Wall mount	Junction box		
	