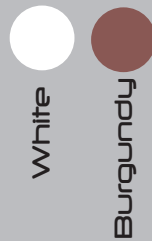




ELITE PIR Detector

The Elite offers a high level of adaptability. There are seven different modes of operation, giving various permutations of normally open and normally closed arrangements for the two pairs of volt-free relays, plus a selection of timing and functional options for the relay changeover contacts.

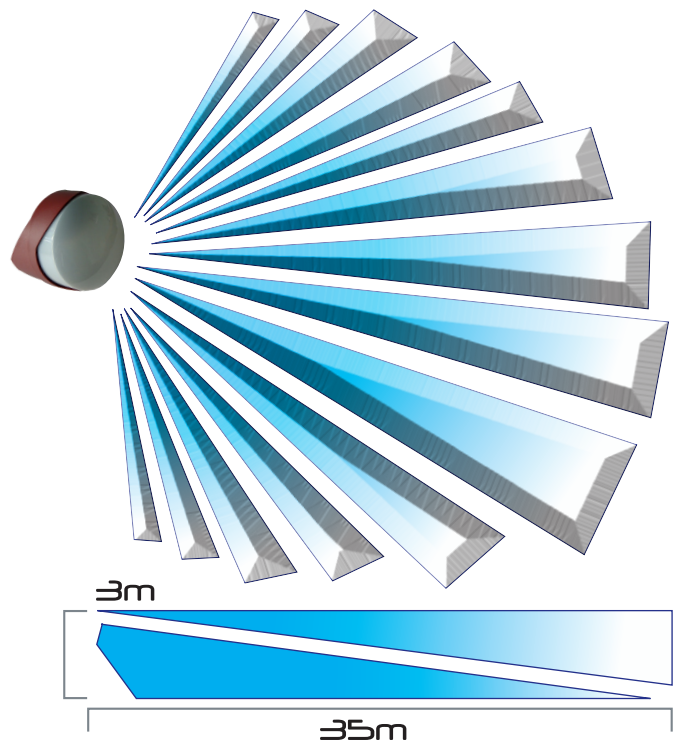
Other programmable parameters include the duration of timed changeover, a pulse count feature and a choice of detection ranges from 10 to 35 metres.



022	Burgundy Housing
023	White Housing

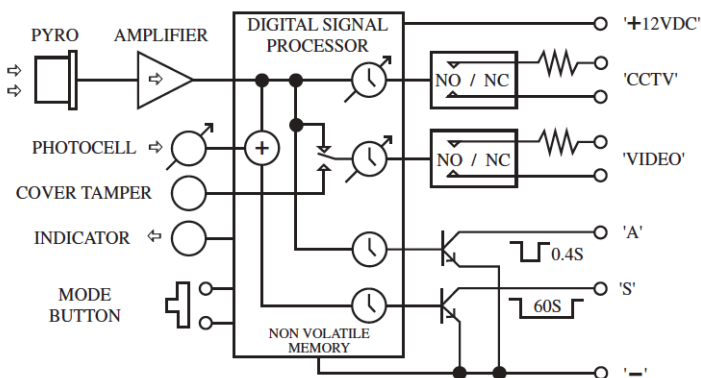
FEATURES & BENEFITS

- Digital ASIC/microprocessor control
- Output test mode with LED indication
- Area reduction mask (if required)
- Non - volatile memory
- Digital white light filter
- Wall or pole mounting
- Conformally coated electronics for increased stability
- High immunity against RFI BSEN50081-1:1992
- High resistance to EMC-BSEN 50130-4:1996
- GJD's 100% test verification



Detection Area	10 to 35 metres (adjustable) up to 750 sq metres
Coverage	90 degree 35 metres x 30 metres max
Adjustment	180 degree pan + 90 degree tilt
Fresnel Lens	36 zone - White Light Filter
Customised Optics	Double silicon shielded dual element eliminates 50,000+ lux of white light
Outputs	Silent solid state magnetically immune
No.1	CCTV Output
	Volt free relay signal contact @ 24VAC/DC @ 50mA with an integral 80R series resistor. Selectable normally open/ normally closed. Adjustable timer options: 0.4 to 60 seconds
No.2	Video Output
	Volt free relay signal contact @ 24VAC/DC @ 50mA. Selectable normally open/normally closed with an integral 80R series resistor. Adjustable timer options: 2 to 60 seconds
No.3	Output 'A'
	Open collector negative switching - 25mA max. Alarm period 400ms
No.4	Output 'S'
	Open collector negative switching - 25mA max. Alarm period: Detection + 60 seconds Adjustable: Dusk (2 lux) to 24 hour
Power Input	9 to 15VDC
Current	10mA (12V nominal)
Pulse Count	1 (2,3 & 4 previous detection \leq 6 seconds)
Tamper	Opens for 2 seconds when cover removed and/ or 'A' & 'S' outputs pulse for 60 seconds (programmable)
Temperature Compensation	Digital sensitivity adjustment
Operating Temperature	-20 to +55 Centigrade
Housing	High Impact ABS
Protection Rating	IP 55
Dimensions	104 x 100 x 100mm
Weight	145 grams
Mounting Height	Variable - optimum height 3 metres
Cable	up to 200 metres up to 500 metres
	Utilising all four outputs - 8 core 7/0.2mm Utilising all four outputs - 8 core 16.0.2mm
Part Number (burgundy)	GJD022
Part Number (white)	GJD023

GJD ELITE BLOCK DIAGRAM



RELIABILITY

Detecting emitted infrared energy of humans equates to recognising subtle changes of energy in the detectors field of view whilst rejecting changes in other wave lengths that are caused by other factors. The Elite's custom designed ASIC microprocessor combined with our unique optical system, filters the information received to give the required precision detection performance.

GJD combine this technology with a double silicon shielding of the pyroelectric sensor. The combination of precision electronics, digital white light filter and double shielding resists more than 50,000 lux of unwanted sunlight, therefore eliminating false alarms from visible light sources.

