

# DeepinMind Series NVR

## Key Feature

- H.265+/H.265/H.264+/H.264 video formats
- Intelligent analytics based on deep learning algorithm
- Up to 16-ch perimeter protection
- Up to 8-ch facial recognition for video stream, or up to 16-ch facial recognition for face picture
- Up to 8-ch video structuralization
- Up to 16/32/64-ch IP cameras can be connected
- Up to 16-ch 1080p decoding capability



## Professional and Reliability

- H.265+ compression effectively reduces the storage space by up to 75%
- Dual-stream recording saves bandwidth
- Adopt stream over TLS encryption technology which provides more secure stream transmission service
- Support double verification for playback and downloading

## HD Video Output

- Provide independent HDMI and VGA outputs
- HDMI video output at up to 4K resolution

## Storage and Playback

- Up to 8 SATA interfaces for HDD connection
- Up to 16-ch synchronous playback

## Smart & POS Function

- Support multiple VCA (Video Content Analytics) events
- Configurable special camera smart functions, such as VCA detection (motion, line crossing, intrusion, etc.), heat map, ANPR (Automatic Number-Plate Recognition), and people counting
- POS information overlay on live view and playback, and POS triggered recording and alarm

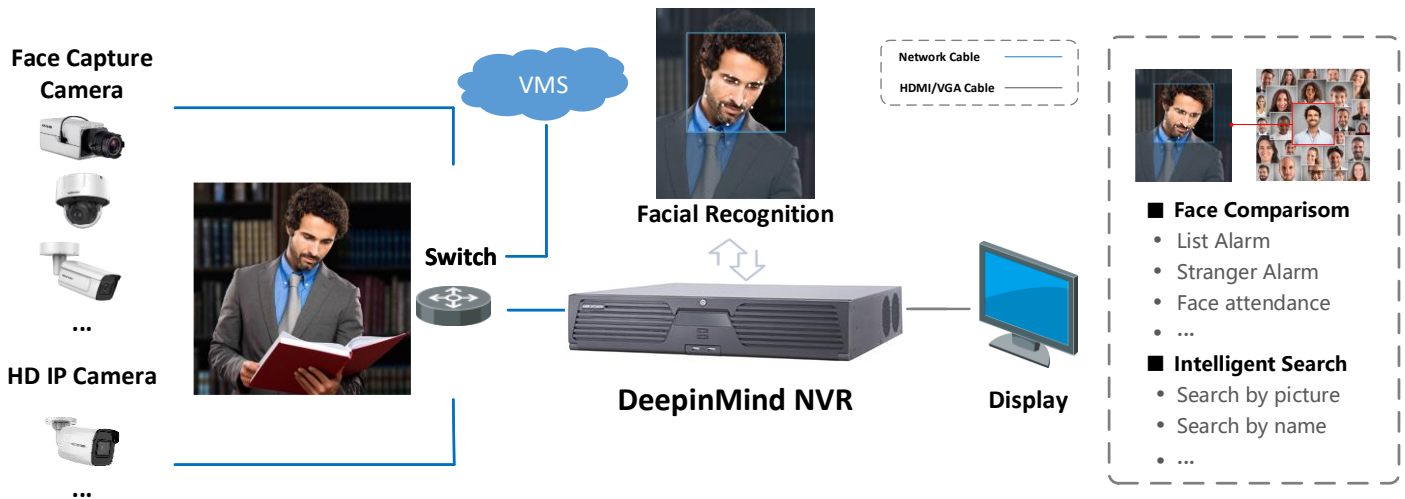
## Network & Ethernet Access

- 2 self-adaptive 10/100/1000 Mbps Ethernet interfaces
- Hik-Connect & DDNS (Dynamic Domain Name System) for easy network management
- Smooth streaming technology
- Support web access without plug-in

## Typical Application

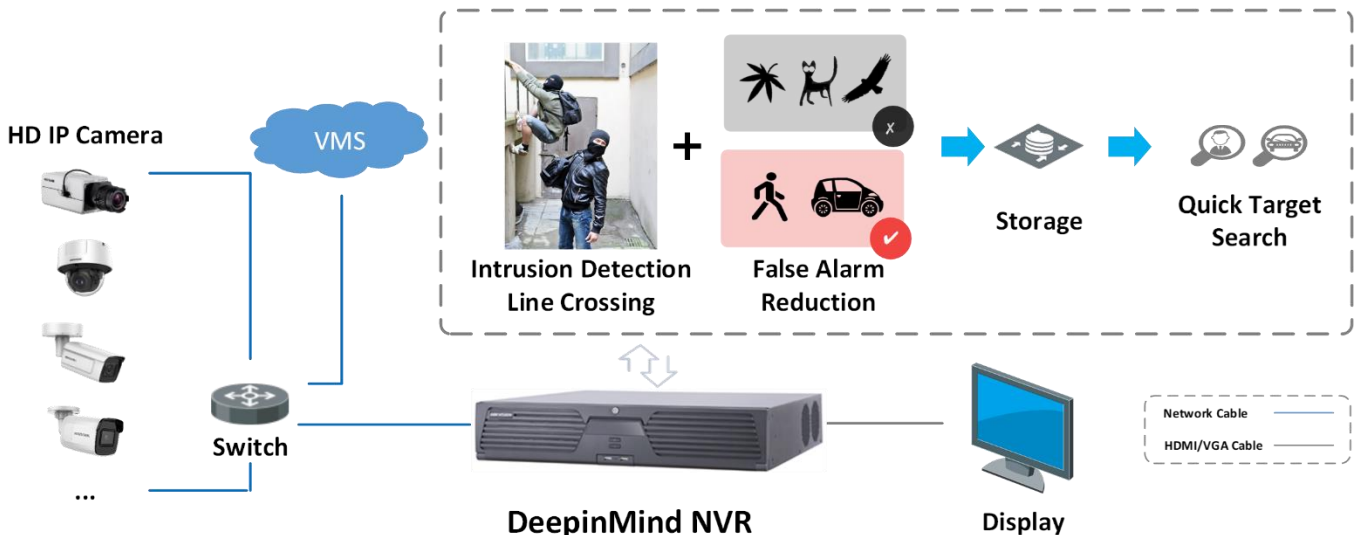
### Facial Recognition and Face Picture Comparison

Modeling and analyzing face pictures captured by cameras. Realize list alarm and stranger alarm via face picture library. Search target people by picture and name features.



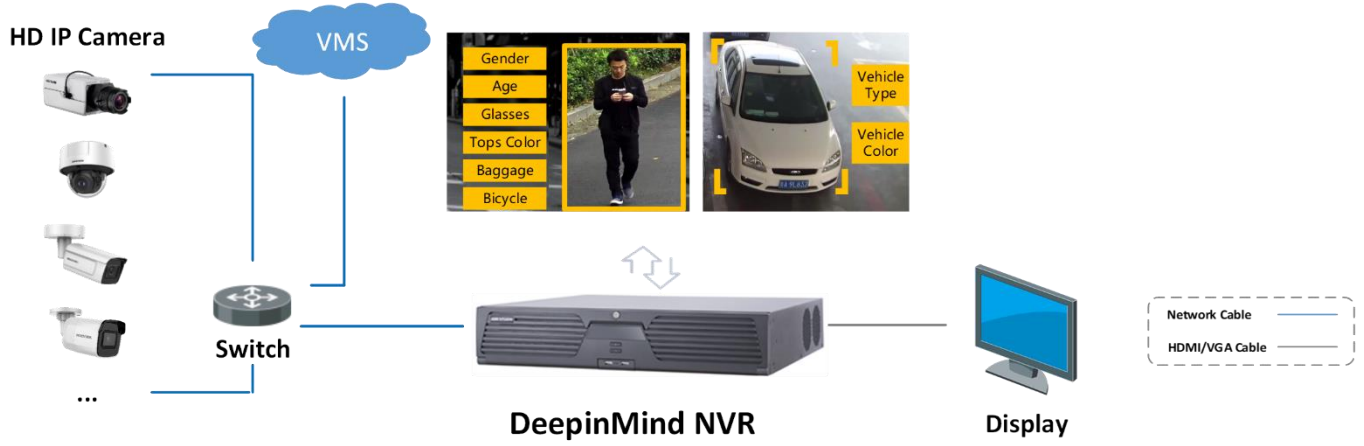
### Perimeter Protection

Adopt deep learning algorithm to reduce false alarm, effectively reduces the false alarm caused by tree branches, leaves, shadow, light, vehicles, small animals, etc.



## Video Structuralization

Extracting the face picture, human body and vehicle features from live videos, which is used for the tracking and retrieval of human and vehicles.



## Specification

Model			
<b>Facial Recognition<sup>1</sup></b>			
<b>Facial detection and analytics</b>	Face picture comparison, human face capture, face picture search		
<b>Face picture library</b>	Up to 32 face picture libraries, with up to 100,000 face pictures in total (each picture ≤ 4 MB, total capacity ≤ 20 GB)		
<b>Face picture comparison</b>	16-ch face picture comparison alarm		
<b>Performance of facial detection and analytics</b>	8-ch 8 MP human face capture (HD network camera, H.264/H.265)		
<b>Perimeter Protection<sup>1</sup></b>			
<b>False alarm reduction</b>	Up to 16-ch 4 MP (HD network camera, up to 8 MP, H.264/H.265) video analysis for human and vehicle recognition to reduce false alarm		
<b>Video Structuralization<sup>1</sup></b>			
<b>Structured analysis</b>	Up to 8-ch 2 MP (HD network camera, up to 8 MP, H.264/H.265) live video structuralization analysis		
<b>Face picture library</b>	Up to 32 face picture libraries, with up to 100,000 face pictures in total		
<b>Face picture comparison</b>	8-ch face picture comparison alarm		
<b>Video and Audio</b>			
<b>IP video input</b>	16-ch	32-ch	64-ch
	Up to 12 MP resolution *: 32 MP and 24 MP is only available for channel 1 when ultra HD resolution mode is enabled.		
<b>Incoming/outgoing bandwidth</b>	256 Mbps/256 Mbps	320 Mbps/256 Mbps	
<b>Incoming/outgoing bandwidth (RAID mode)</b>	200 Mbps/200 Mbps		
<b>HDMI1 output</b>	1-ch, 4K (3840 × 2160)/60Hz, 4K (3840 × 2160)/30Hz, 2K (2560 × 1440)/60Hz, 1920 × 1080/60Hz, 1600 × 1200/60Hz, 1280 × 1024/60Hz, 1280 × 720/60Hz, 1024 × 768/60Hz		
<b>HDMI2 output</b>	1-ch, 1920 × 1080/60Hz, 1280 × 1024/60Hz, 1280 × 720/60Hz, 1024 × 768/60Hz		
<b>VGA1 output</b>	1-ch, 1920 × 1080/60Hz, 1280 × 1024/60Hz, 1280 × 720/60Hz, 1024 × 768/60Hz		
<b>VGA2 output</b>	1-ch, 1920 × 1080/60Hz, 1280 × 1024/60Hz, 1280 × 720/60Hz, 1024 × 768/60Hz		
<b>Video output mode</b>	HDMI1/VGA1 simultaneous output, HDMI2/VGA2 simultaneous output		
<b>CVBS output</b>	N/A		
<b>Audio output</b>	2-ch, RCA (Linear, 1 KΩ)		
<b>Two-way audio input</b>	1-ch, RCA (2.0 Vp-p, 1 KΩ)		
<b>Decoding</b>			
<b>Decoding format</b>	H.265/H.265+/H.264/H.264+/MPEG4		
<b>Recording resolution</b>	32 MP/24 MP/12 MP/8 MP/6 MP/5 MP/4 MP/3 MP/1080p/UXGA/720p/VGA/4CIF/DCIF/2CIF/CIF/QCIF *: 32 MP and 24 MP is only available for channel 1 when ultra HD resolution mode is enabled.		
<b>Synchronous playback</b>	16-ch		

<b>Capability</b>	1-ch@32 MP (30 fps)/16-ch@1080p (30 fps)
<b>Dual stream recording</b>	Support
<b>Stream type</b>	Video, Video & Audio
<b>Audio compression</b>	G.711ulaw/G.711alaw/G.722/G.726/MP2L2
<b>Network</b>	
<b>Remote connections</b>	128
<b>Network protocol</b>	TCP/IP, DHCP, IPv4, IPv6, DNS, DDNS, NTP, RTSP, SADP, SMTP, SNMP, NFS, iSCSI, ISUP, UPnP™, HTTP, HTTPS
<b>Network interface</b>	2, RJ-45 10/100/1000 Mbps self-adaptive Ethernet interface
<b>RAID</b>	
<b>RAID Type</b>	RAID0, RAID1, RAID5, RAID6, RAID10
<b>Auxiliary interface</b>	
<b>Serial port</b>	RS-232; RS-485; Keyboard
<b>SATA</b>	8 SATA interfaces
<b>Capacity</b>	Up to 10 TB capacity for each disk
<b>eSATA</b>	1 eSATA interface
<b>Alarm in/out</b>	16/8
<b>USB interface</b>	Front panel: 2 × USB 2.0; Rear panel: 1 × USB 3.0
<b>General</b>	
<b>Power supply</b>	100 to 240 VAC, 50 to 60 Hz
<b>Consumption (without HDD)</b>	≤ 70 W
<b>Working temperature</b>	-10 to +55° C (+14 to +131° F)
<b>Working humidity</b>	10% to 90%
<b>Dimension (W × D × H)</b>	445 × 465 × 92 mm (17.5"× 18.3" × 3.6")
<b>Weight (without HDD)</b>	≤ 10 kg (22 lb)
<b>Certification</b>	
<b>Obtained Certification</b>	FCC, CE, UL, CB, WEEE, BIS, IC, RCM, KC, LOA
<b>CE</b>	EN 55032:2015, EN 61000-3-2, EN 61000-3-3, EN 50130-4
<b>FCC</b>	Part 15 Subpart B, ANSI C63.4-2014

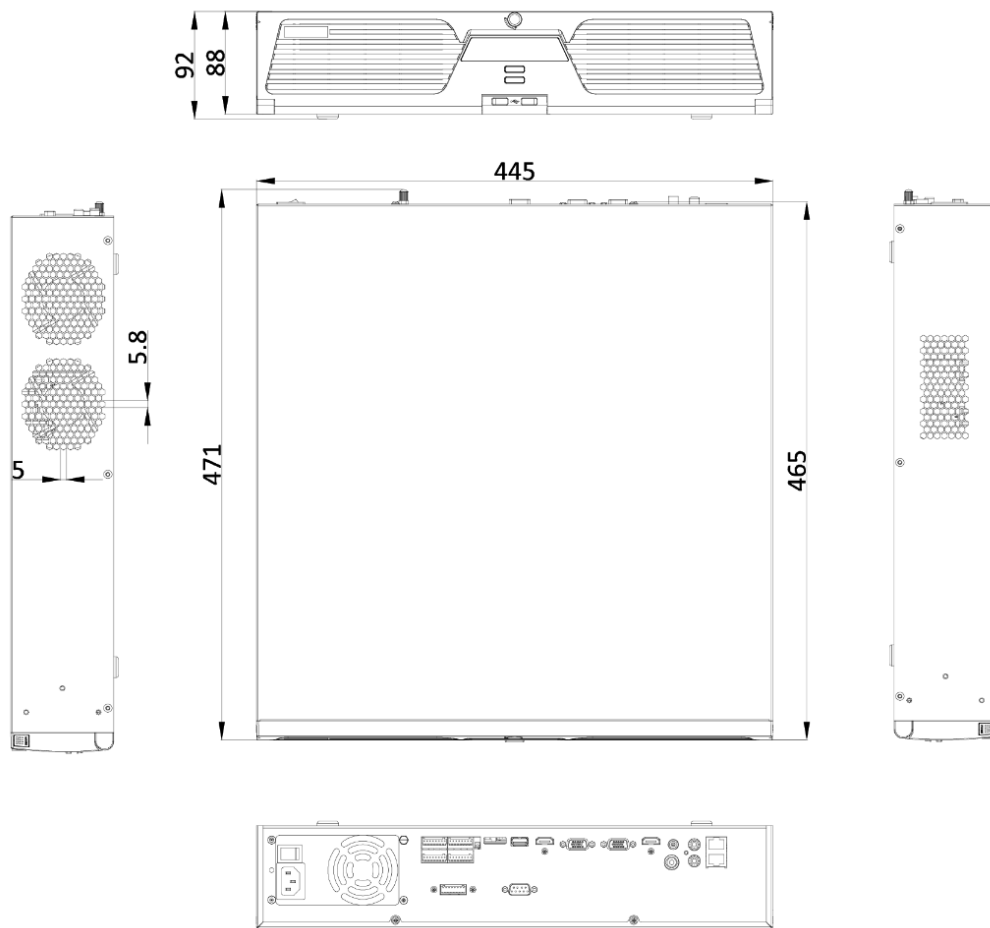
1: The device has three engine modes: facial recognition, perimeter protection, and video structuralization, among which no more two modes can be enabled at the same time. When two modes are enabled, capacity is as follows.

Perimeter protection: 8-ch

Video structuralization: 2-ch live video structuralization analysis and 4-ch face picture comparison alarm

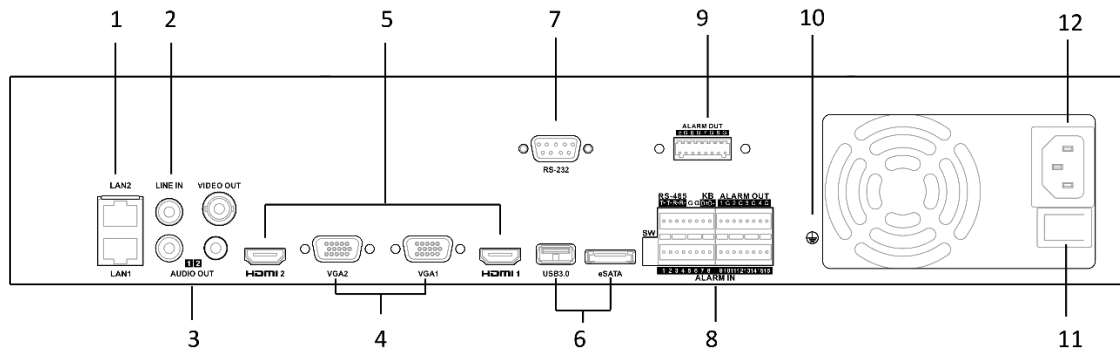
Facial recognition: 4-ch face capture and 8-ch face picture comparison alarm

# Dimension



scale/1:1;Unit/mm

## Physical Interface



No.	Description	No.	Description
1	LAN1/LAN2 Interface	7	RS-232 Interface
2	LINE IN	8	ALARM IN/OUT, RS-485, Keyboard
3	AUDIO OUT	9	ALARM OUT
4	VGA1/VGA2 Interface	10	GND
5	HDMI1/HDMI2 Interface	11	Power Switch
6	USB 3.0 and eSATA Interface	12	100 to 240 VAC Power Supply