



We, Veracity UK Ltd. of Prestwick International Aerospace Park, 4 Dow Road, Prestwick, KA9 2TU, United Kingdom, declare under our sole responsibility that the products VCS-4P1-Mob (CAMSWITCH 4 Mobile) VCS-8P2-Mob (CAMSWITCH 8 Mobile) are in conformity with the essential requirements and other relevant requirements of the EMC Directive (2004/108/EC)

The products are in conformity with the following standards:

EN 55022:2010
EN 55024:2010

Responsible Person

Mr Alastair McLeod, Managing Director
Issued 8th August 2013 at Prestwick.



This device complies with Part 15 of the FCC Rules. Operation is subject to the following two conditions: (1) this device may not cause harmful interference, and (2) this device must accept any interference received, including interference that may cause undesired operation.

NOTE: This equipment has been tested and found to comply with the limits for a Class A digital device, pursuant to Part 15 of the FCC Rules. These limits are designed to provide reasonable protection against harmful interference when the equipment is operated in a commercial environment. This equipment generates, uses, and can radiate radio frequency energy and, if not installed and used in accordance with the instruction manual, may cause harmful interference to radio communications. Operation of this equipment in a residential area is likely to cause harmful interference in which case the user will be required to correct the interference at his own expense.

CAMSWITCH™ MOBILE

LOW VOLTAGE 802.3af / 802.3at POE SWITCH

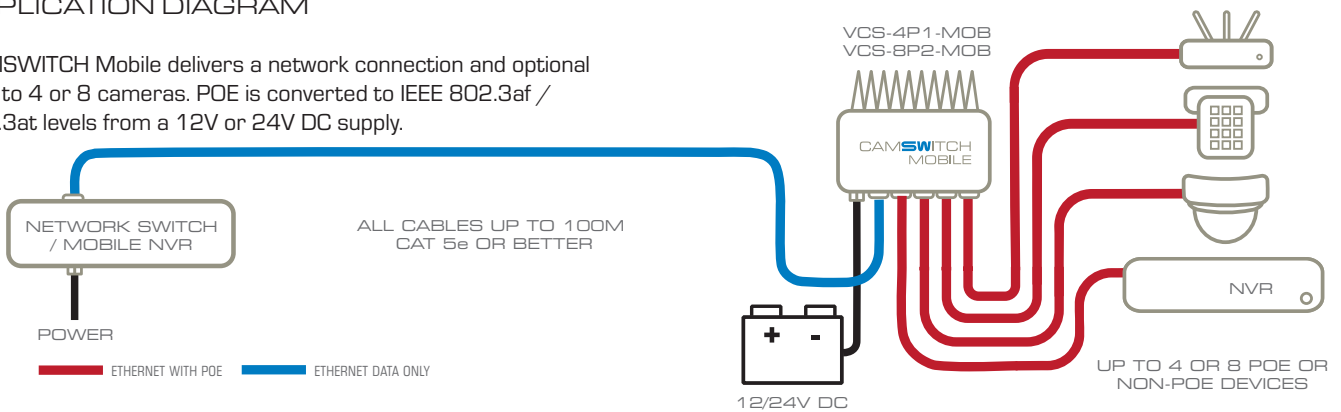
QUICK START GUIDE



VCS-4P1-Mob | CAMSWITCH 4 Mobile
VCS-8P2-Mob | CAMSWITCH 8 Mobile

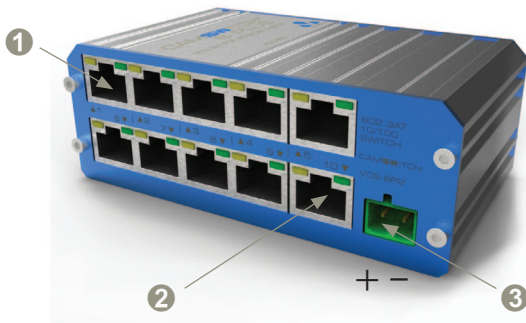
APPLICATION DIAGRAM

CAMSWITCH Mobile delivers a network connection and optional POE to 4 or 8 cameras. POE is converted to IEEE 802.3af / 802.3at levels from a 12V or 24V DC supply.



CONNECTIONS

All ports support 10/100 Base-T with auto-negotiation and auto-crossover.



- 1 4 or 8 network ports with 802.3at POE
- 2 1 or 2 data-only ports
- 3 12V DC / 24V DC Power Input

Port LEDs : Green POE enabled (POE ports),
Green Power good (non-POE ports)
Yellow Ethernet Link / Activity

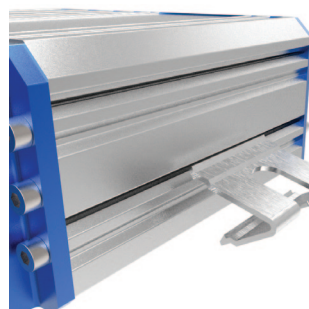
- All ports support 10/100 Base-T Ethernet with auto-negotiation and auto-crossover.
- POE is automatically detected and enabled to compliant devices.
- POE is delivered on the Ethernet data pairs for compatibility with 4-pin external connectors (e.g. M12). Cables should be secured appropriately to prevent vibration.

WALL MOUNTING CLIPS

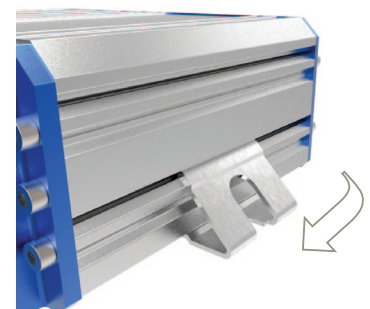
The enclosed mounting clips can be clipped where required along the side of the unit to permit surface mounting.

Up to M5 screws can be used at 122mm separation. See the drawing drill template overleaf.

Consult the power chart if ventilation is restricted.



1. Insert



2. Click

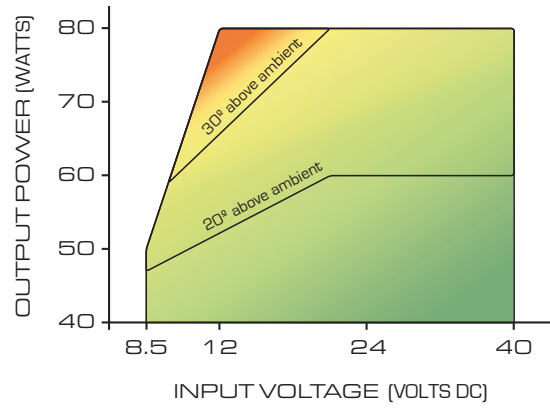
POWER BUDGET

CAMSWITCH Mobile can deliver up to 80 watts of total camera power at its rated ambient temperature of 50°C.

To calculate the power budget required, add up the power draw in watts of all POE devices, as given in their datasheets. (Power classes are not used, and cable losses are already accounted for.)
Note that the enclosure may become hot in operation. Restricted access to the product is recommended.

The graph opposite shows the approximate temperature rise with moderate ventilation. *Note that restricted ventilation and space can lead to significantly increased ambient temperature.*

If the input voltage drops below 12V (for example during engine cranking) the power budget should be reduced as shown on the graph, down to 50 watts at the minimum 8.5V DC input

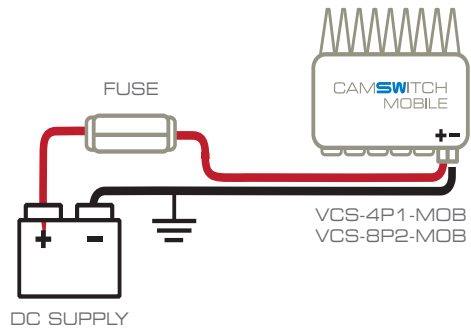


POWER CONNECTIONS

CAMSWITCH Mobile can operate from an 8.5V to 40V DC supply, and steps this up to a steady POE voltage internally. (For AC applications, contact Veracity.)

The power supply or battery and wiring must be appropriately rated and fused for the current required. Recommended fuse ratings (slow blow type) are:

Power Budget	80W	60W	40W	20W	No POE
Fuse Rating (12V)	10A	7.5A	5A	3A	2A
Fuse Rating (24V)	5A	4A	3A	2A	2A



Note that the POE voltage is not isolated from the DC supply. CAMSWITCH Mobile is intended for use with IEEE-compliant (individually isolated) POE and Ethernet devices within a closed system.

DIMENSIONS | MOUNTING HOLE TEMPLATE

Width 110mm
(131mm inc. clips)

Depth 108mm
(inc. DC connector)

Height 40mm

Weight VCS-4P1-Mob 290g
VCS-8P2-Mob 350g

Scale 1:1

