

PREMIUM UFO LED High Bay Bridgelux LED 140lm/W

SKU Code: T338/T339/T343/T344

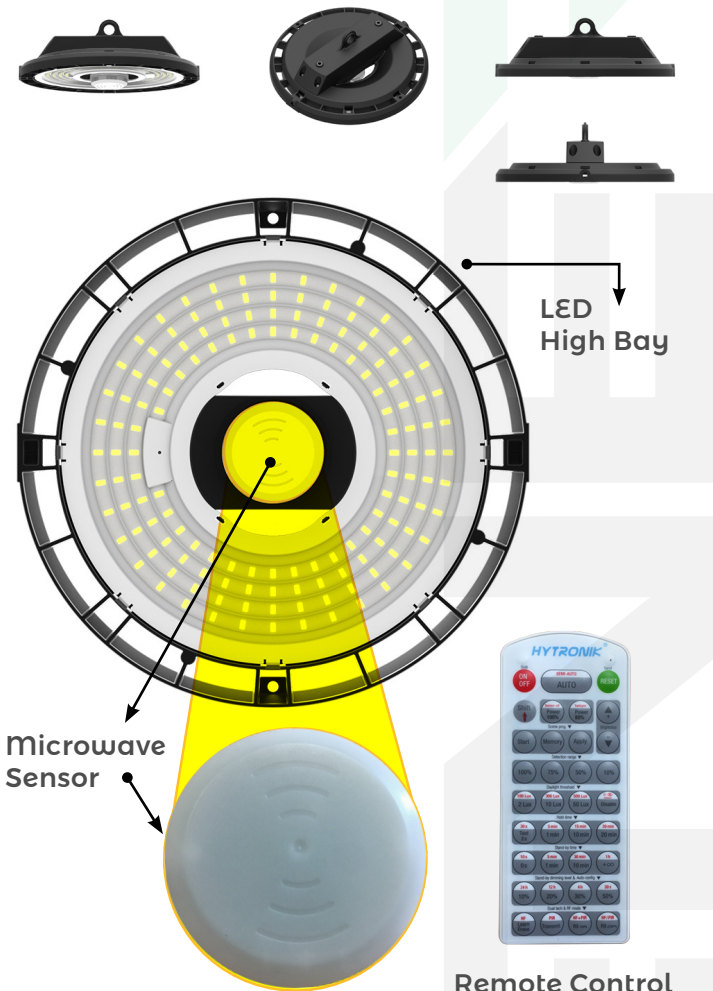
PREMIUM UFO LED High Bay Bridgelux LED 140lm/W & Dimmable 3 in 1 DRIVER.

Features

- Our Bridgelux LED UFO Dimmable LED High Bay 140lm/W allows you to obtain a high powered light in a very small space, thanks to the next-gen features it includes. Considered to be one of the best manufactured LED high bays on the market due to its energy savings, zero maintenance, long lifespan, great reliability and flexibility.
- With the combination of high efficiency LEDs from the company BRIDGELUX and a Flicker Free driver, along with an abundance of incorporated high quality components, this high bay can achieve a luminous output of up to 140 lm/W.
- This luminaire Driver incorporates 4KV protection against voltage overloads, short circuits, overheating, high input voltage and output voltage, making it a very safe driver. It is also worth mentioning that this Driver is Flicker Free and therefore reduces eye fatigue.
- The intensity of light emitted can be dimmed 1-10 V according to the needs of the user at any moment, for greater energy savings. It also incorporates a potentiometer for fine current adjustments. Its innovative aluminum-finish heatsink keeps the working temperature constant, eliminating heat very effectively, even in the most extreme conditions. It also has a very long lifespan.

Advantages of our PREMIUM UFO Dimmable LED High Bay 140lm/W

- This luminaire is perfect for all types of spaces, both indoors and outdoors, even in the most unfavorable conditions. It is used in all types of commercial areas, such as industrial warehouses, workshops, factories, depots or car parks.
- Industrial LED lighting is particularly interesting in the professional field because of the savings it provides in terms of luminaire consumption and maintenance. It also stands out for its immediate start-up and flicker-free capabilities, which allows activity to be restored and re-established instantly.



IP65

150
Watts

21000
Lumens

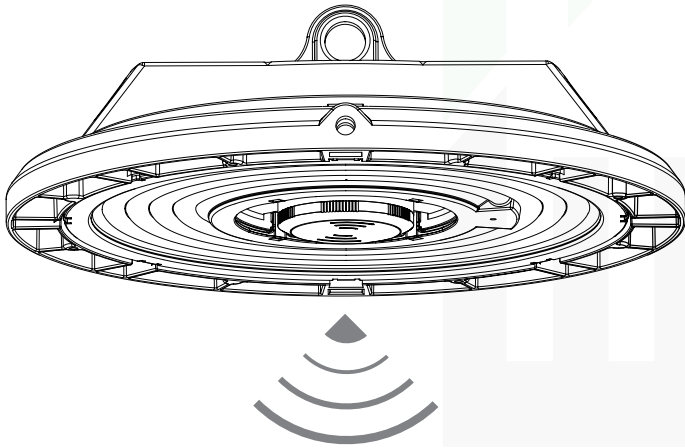
6000K
Kelvin

200
Watts

28000
Lumens

Highbay - Technical Specification

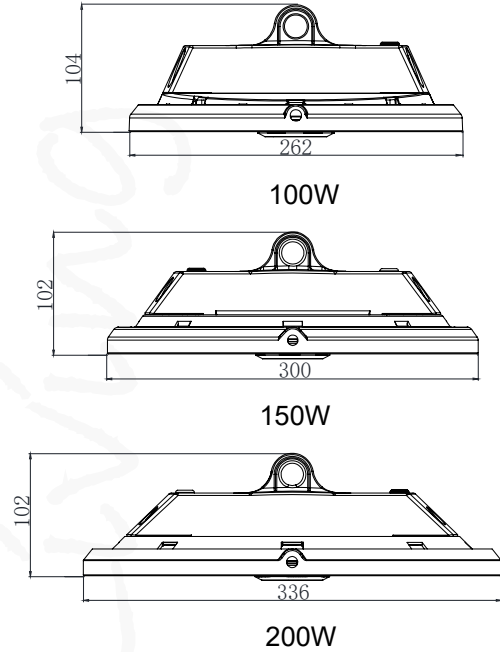
SKU	: T338/T339
Power	: 150W/200W
LED Brand	: BridgeLux 2835
Lumen Efficiency	: 140 Lm/Watt
Total Lumen	: 21000lm/28000lm
CRI	: >80
Driver	: Dimmable (3in1) Non-Isolated CE Driver
Input Voltage	: 90-305V AC
Surge Protection	: 6KV
PF	: >0.92
CCT	: 5700K
Main Materials	: Die-casting aluminum + PC lens
Waterproof Rating	: IP65
IK Rating	: IK08
Beam Angle	: 90°
Lifetime	: 50000 Hours
Lamp Dimension (mm)	: Ø300*102mm/Ø336mm*102mm
Warranty	: 5 Years



Product			
SKU	EAN	Power	Size
T338	5060774550540	150W Highbay	300*102mm
T339	5060774550557	200W Highbay	336*102mm

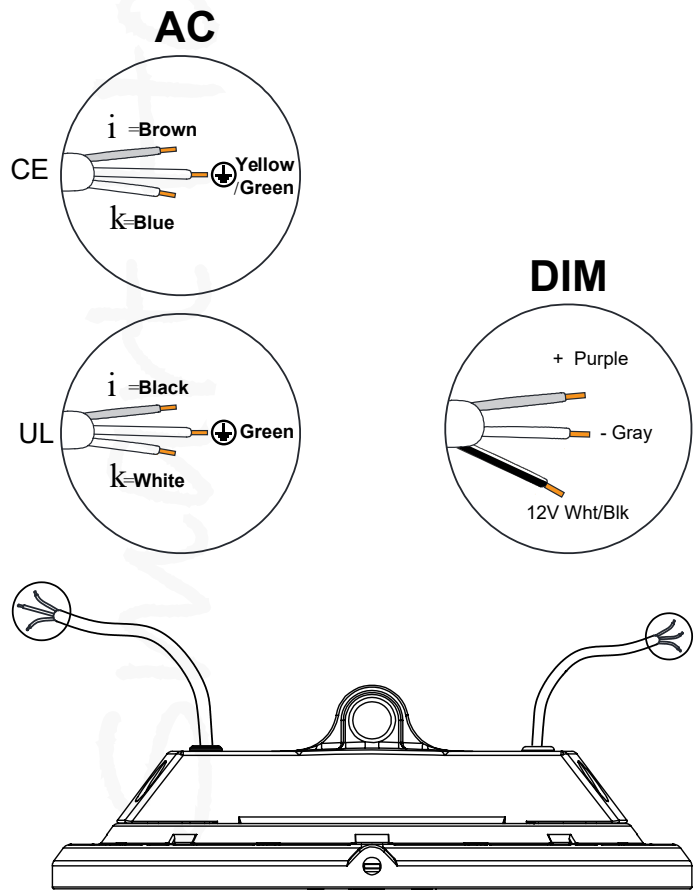
1. The Highbay is compatible with Microwave Sensor. This package contains only Premium UFO LED Highbay. For purchase of microwave sensor, please contact your point of purchase.
2. The Highbay comes with Standard hanging hole for installation with a Hook (not provided). The Highbay does not come with Bracket mounting kit, safety rope for installation and the hooks but customers are advised to purchase these separately at point of purchase.
3. The product comes with a warranty of 5 Years from the date of purchase and covers manufacturing defects only.
4. Maximum usage per day is 12 hours. If used more than the maximum limit then life of LEDs might be affected and hence warranty will be void.
5. ENER-J will try and repair the Highbays first and will replace the units if the Highbay cannot be repaired. Please note that the user must bear the carriage charges to send the faulty Highbays for repairs.

Standard

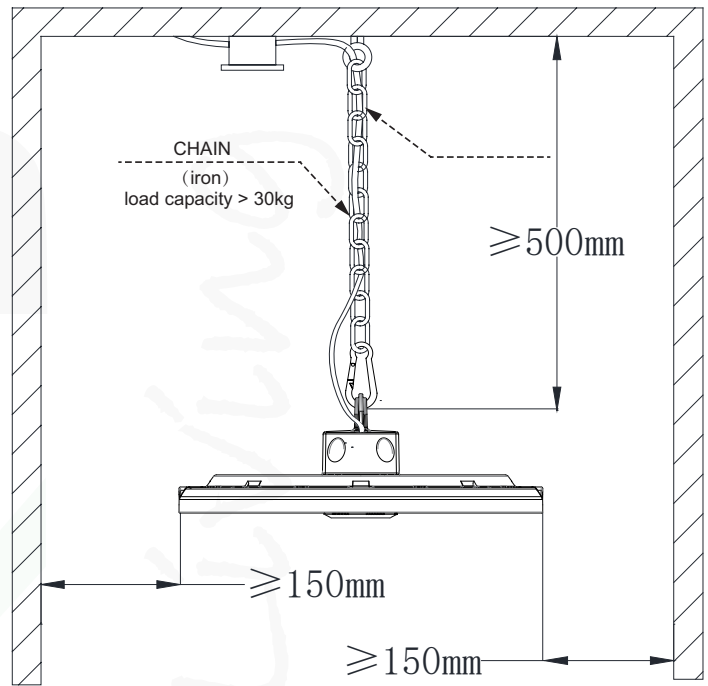
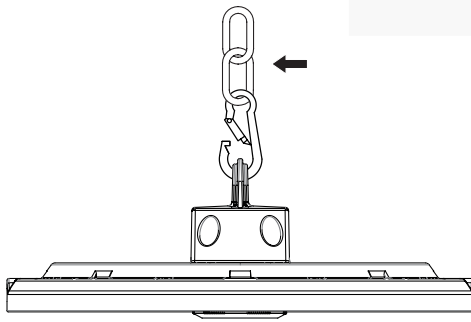


Product				
Model	Product (L*W*H)	Carton (L*W*H)	nW (kg)±0.1	GW (kg)±0.1
100W	262*262*104mm	324*145*340mm	2.12 kg	.7 kg
150W	300*300*102mm	360*145*340mm	2.83 kg	.4 kg
200W	336*336*102mm	415*150*390mm	3.1 kg	3.8 kg

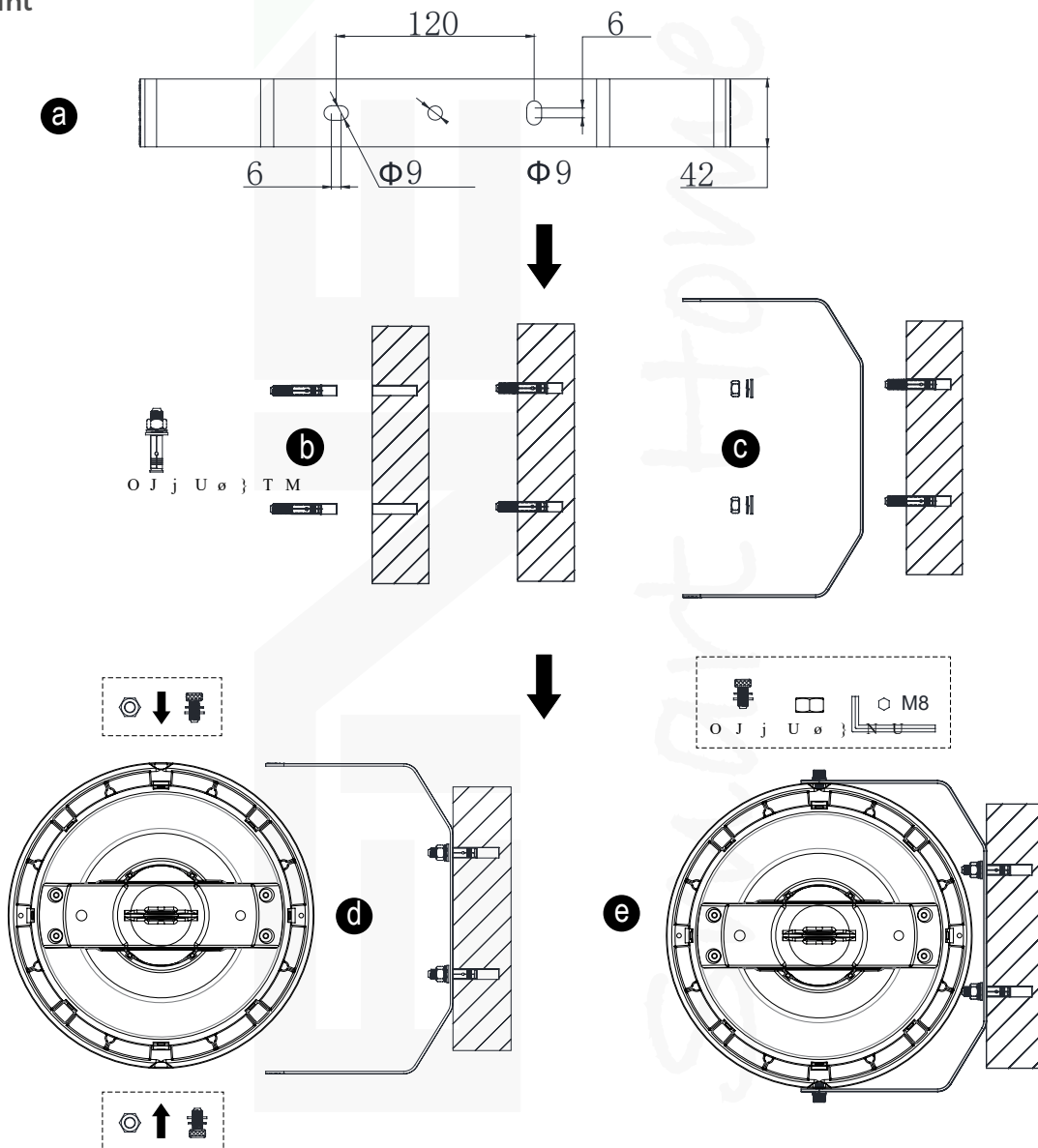
Wiring diagram



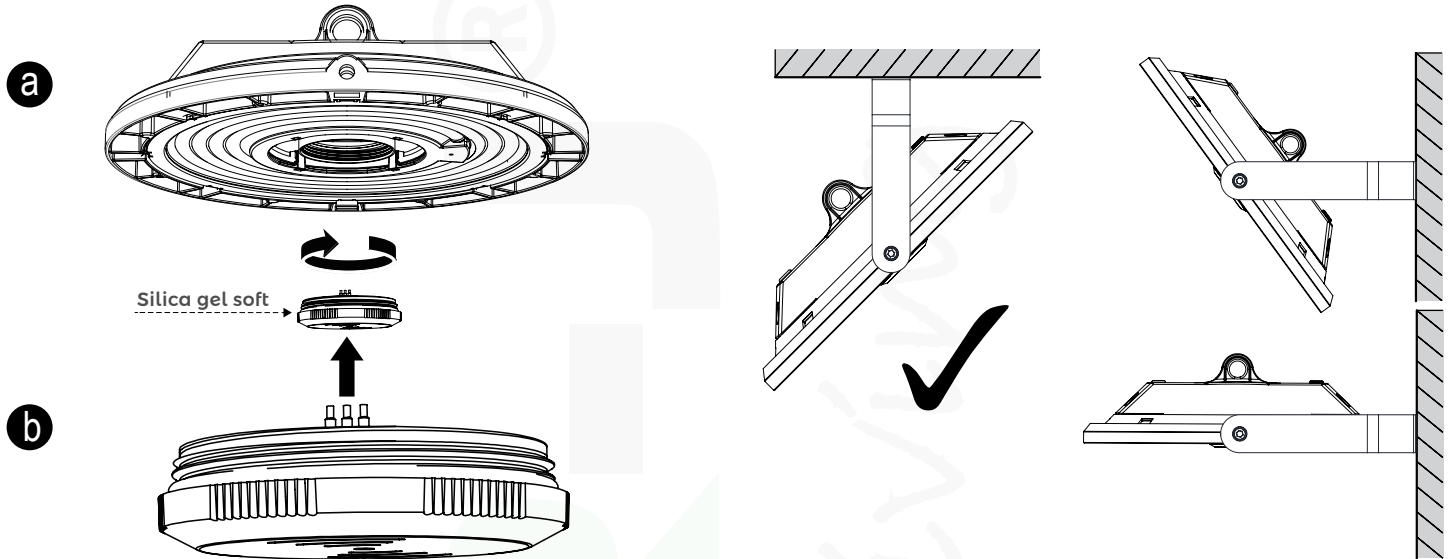
Wiring diagram



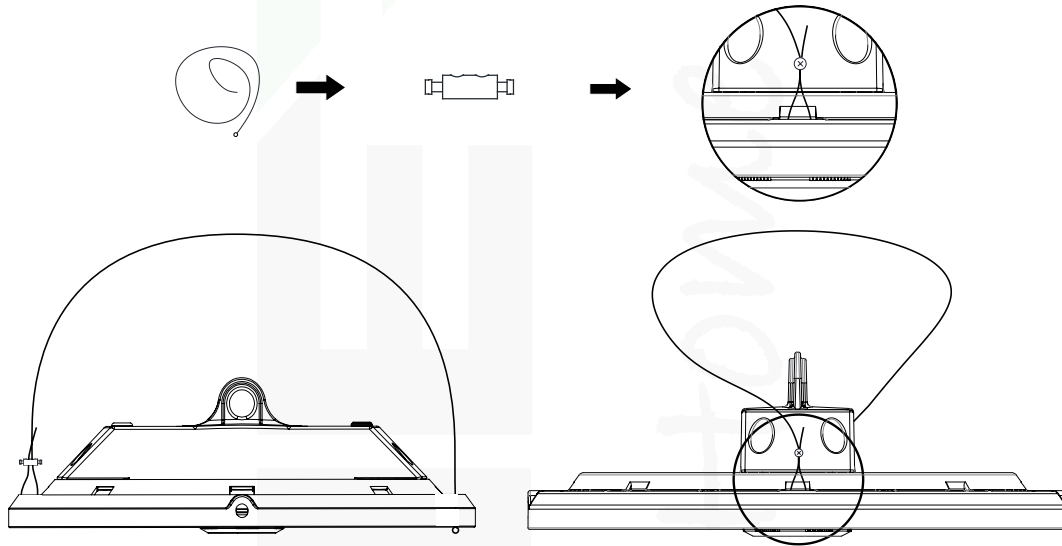
Bracket mount



Microwave mount

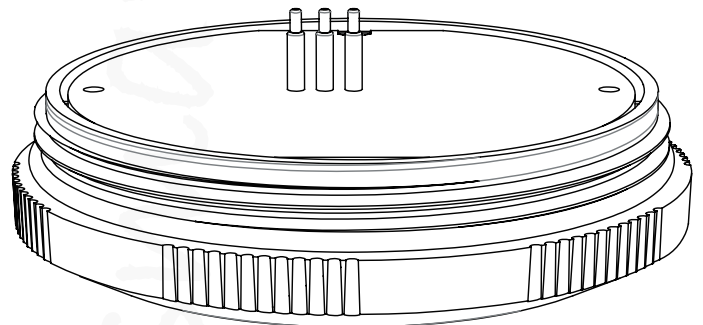


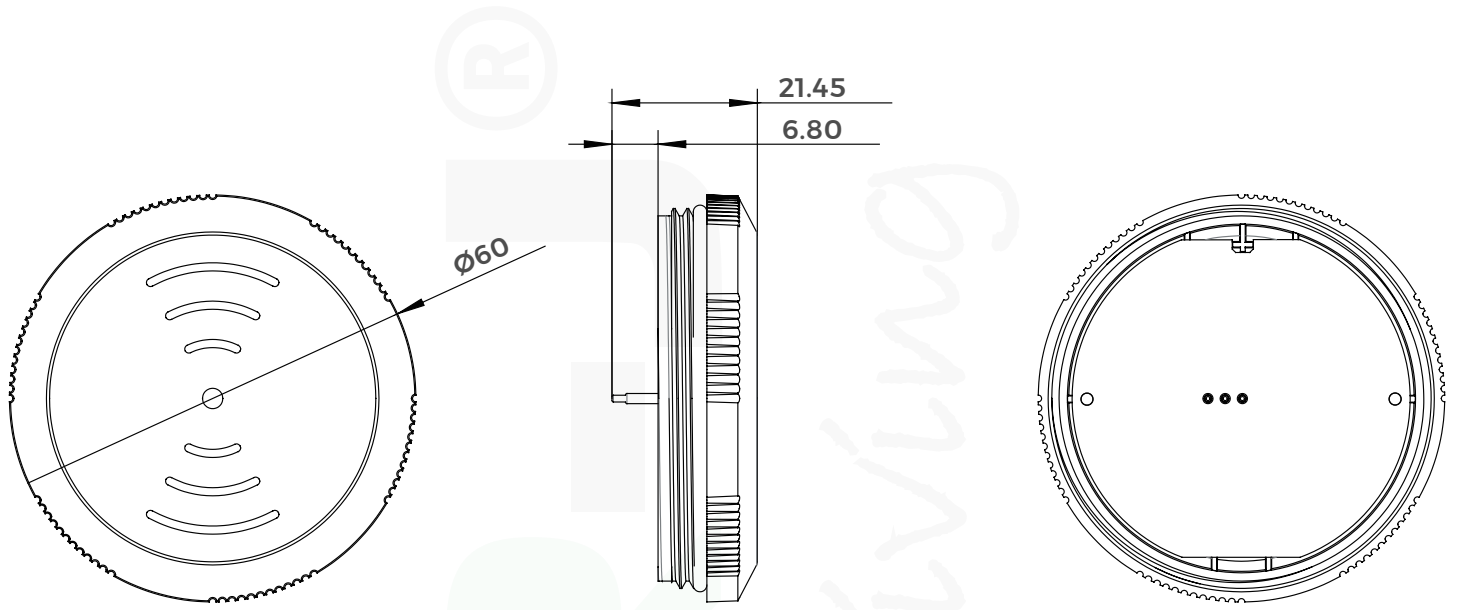
For all of the above installation, it is recommended that all models with safety rope.



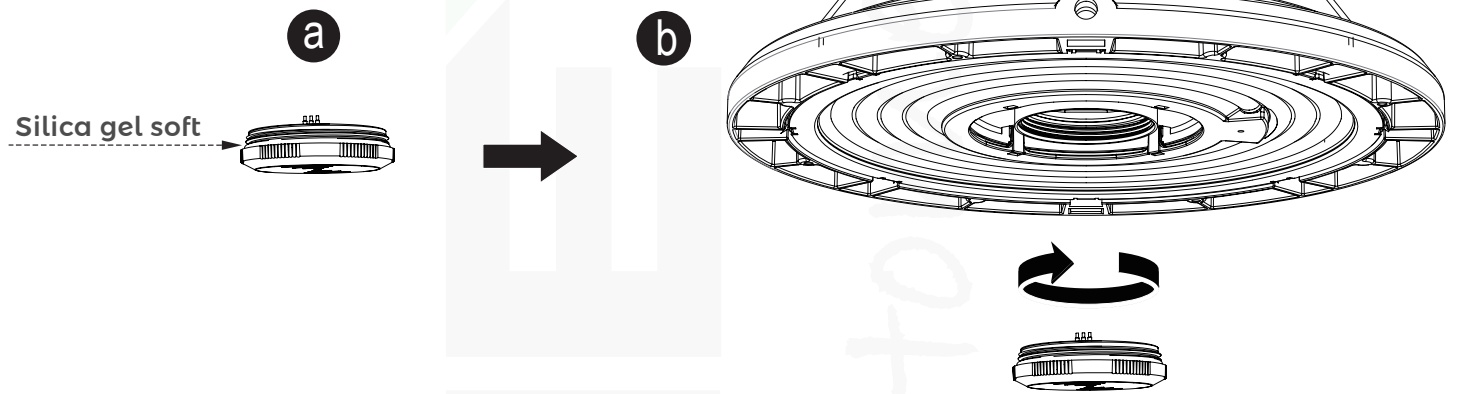
Microwave Sensor - Technical Specification

SKU	: T343
Model	: HN020-01V Microwave/ constant illumination
EAN	: 5060774550564
Product type	: Microwave Motion Sensor
Operating voltage	: 12VDC/50mA
HF system	: 5.8GHz CW radar
Detection angle	: 30° ~ 150°
Power consumption	: <1W
Detection range (DxH)	: Max. 16 x 12m
Hold time	: 30s ~ 30min.
Daylight sensor	: 2 ~ 500Lux; disable
Stand-by period	: 0s, 10s ~ 1h, + ∞
Stand-by dimming level	: 10% ~ 50%
Mounting	: Indoors, ceiling & wall mounted
Working temp	: -20° ~ +60°

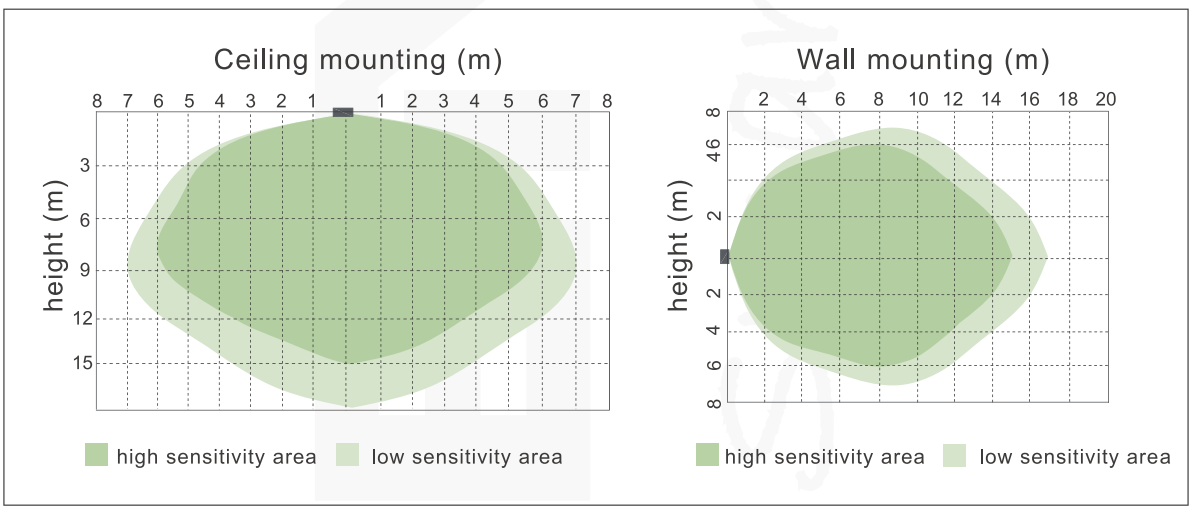




Microwave mount



Detection Pattern



SECTION 1: TYPICAL APPLICATIONS

Typical Applications

A ULTRANIK ▶ HF motion detection

Daylight Harvest The motion detector can turn on the light based on movement. With this detector built in, light is automatically on when needed and dimmed to preset level before it is totally off.



The light keeps off during daytime even when movement is detected. (Ambient lux level is above preset daylight threshold).



With movement and insufficient ambient lux level, the light is triggered on 100% by the detector.

The sensor highbay turns on at full or dims to maintain the lux level. The light output regulates according to level of natural light available.

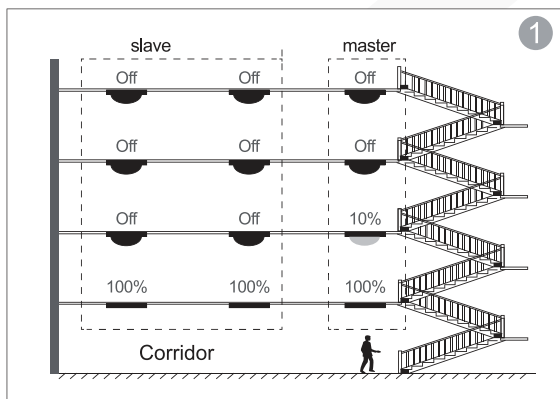


If there is no more movement, the light dims to stand-by dimming level after hold-time.

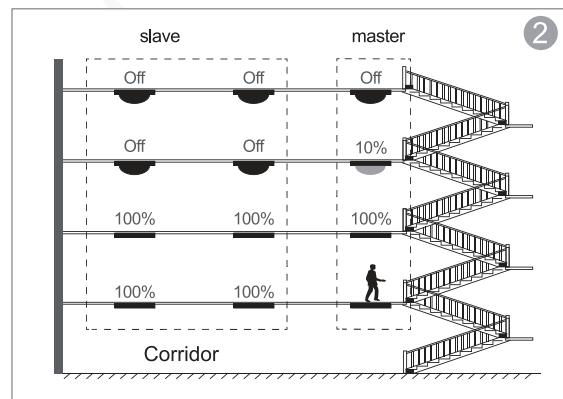


The light turns off automatically after stand-by time.

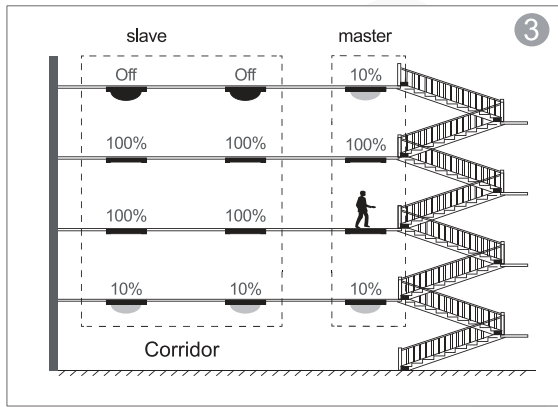
B For staircase and corridor (master and slave)



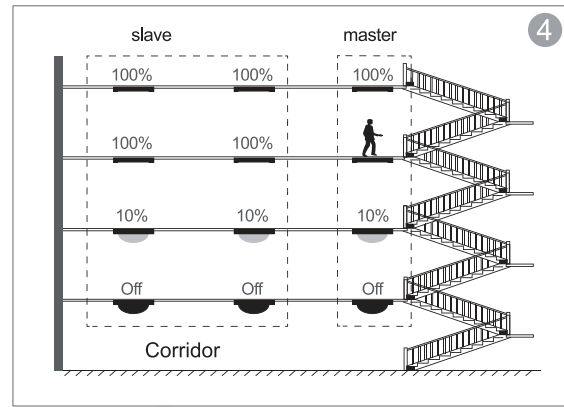
While the 1st sensor detects motion on the 1st floor, it switches the light on at 100% and sends signal to all slave units. All slaves on the 1st floor turn on and the sensor highbay on the 2nd floor switches on at stand-by level.



The person walks to the 2nd floor, the 2nd Sensor highbay switches the light on at 100%. All slaves on the 2nd floor turn the light on and the Sensor highbay on the 3rd floor switches on at stand-by level.



The person walks to the 3rd floor, the 3rd sensor highbay switches the light on 100%. All slaves on the 3rd floor turn the light on and the Sensor highbay on the 4th floor switches on at stand-by level. Meanwhile, the lights on the 1st floor are dimmed to stand-by level after hold-time.



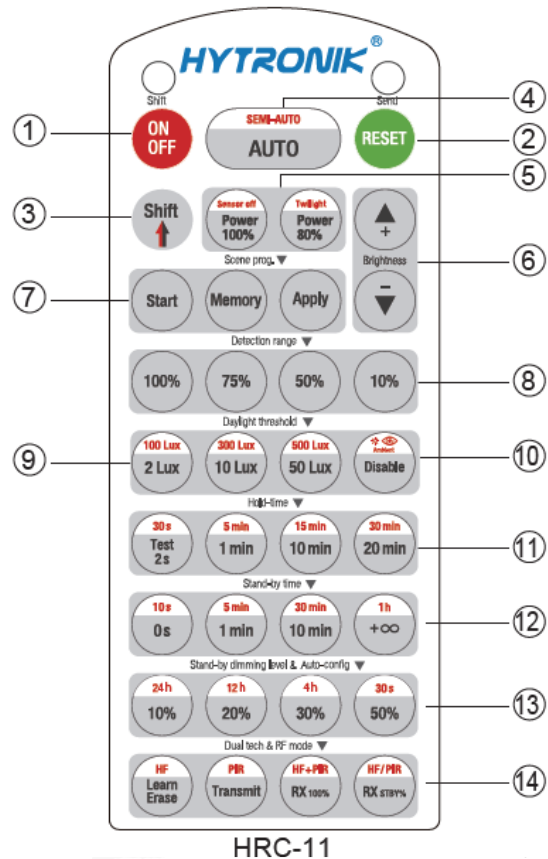
The person walks to the 4th floor, the 4th sensor highbay switches the light on at 100%. All slaves on the 4th floor turn the light on. Meanwhile, all sensors on the 1st floor turn the light off after stand-by period, and all lights on the 2nd floor dim to stand-by level after hold-time.

SECTION 2: REMOTE CONTROL

Typical Applications

Remote Control

- **Permanent ON/OFF [button (1)]**
Press button (1) to select permanent ON or permanent OFF mode.
*Press button (2)/(4) to resume automatic operation.
The mode will change to AUTO Mode after power failure.
- **Reset [button (2)]**
Press button (2), all setting go back to the default settings:
Detection range: 100%
Hold time: 1min
Stand-by period: 5 min.
Stand-by dimming level: 20%
Daylight sensor: LUX disable
- **Shift [button (3)]**
Press button(3), the LED on the top left corner will flash to indicate mode selection.
All values / settings in RED are valid for 20 seconds.
- **Auto Mode [button (4)]**
Press button (4) to initiate automatic mode. The sensor starts working and all settings remain as before the light was switched ON/OFF.
- **Semi-auto Mode [button (3) & (4)]**
1. Press button (3) Shift (the red LED is on for indication),
2. Press button (4) to initiate semi-auto mode. The fixture is manually on by push-switch and automatically off in semi-auto mode.
- **Power Output [button (5)]**
Press button (5), the light output shifts between 80% and 100%.
NOTE: The function of "Sensor off" and "Twilight" are disabled.
- **Brightness +/- [button (6)]**
Press button (6) to adjust the light brightness between 10%-100%.



Note: The red LED indicator flash one time when RC receives signal successfully.

- **Scene prog. [zone (7)] (One-key-commissioning)**
 1. Press button "start" to program.
 2. Select the buttons in (8) "Detection range", (9)/(10) "Daylight threshold", (11) "Hold time", (12) "Stand-by time", (13) "Stand-by dimming level" to set all parameters.
 3. Press button "Memory" to save all the settings programmed in the remote control.
 4. Press button "Apply" to set the settings to each sensor unit(s). For example, to pre-set detection range 100%, daylight threshold Disable, hold time 5min, stand-by time +∞, stand-by dimming level 30%, the steps should be as follows: Press button (7) Start, button (8) 100%, (10) Disable, (3) Shift, (11) 5min, (3) Shift, (12) +∞, (13) 30%, (7) Memory. By pointing to the sensor unit(s) and pressing (7) Apply, all settings are passed on the sensor(s).
- **Detection range [zone (8)]**
Press buttons in zone (8) to set detection range at 100% / 75% / 50% / 10%.
- **Daylight threshold [zone (9)]**
Press buttons in zone (9) to set the daylight sensor at 2Lux / 10Lux / 50Lux / 100Lux / 300Lux / 500Lux or Disable.
Note: To set daylight sensor at 100Lux / 300 Lux / 500Lux, press button (3) Shift at first.
- **Ambient daylight threshold [zone (10)]**
 1. Press button (3) Shift, the red **LED** is on for indication.
 2. Press button (10), the ambient lux level is sampled and set as the new daylight threshold.
- **Hold time [zone (11)]**
Press buttons in zone (11) to set the hold time at 2s / 30s / 1min / 5min / 10min / 15min / 20min / 30min.
Note: 1. To set hold-time at 30s / 5min / 15min / 30min, press button (3) Shift at first.
2. 2s is for testing purpose only, stand-by period and daylight sensor settings are disabled in this mode.
*To exit from Test mode, press button (2) or any button in zone (11).
- **Stand-by time [zone (12)]**
Press buttons in zone (12) to set the stand-by period at 0s / 10s / 1min / 5min / 10min / 30min / 1h / +∞.
Note: "0s" means on/off control; "+∞" means bi-level control, 100% on when motion is detected, and remains at the stand-by dimming level when no presence is detected after hold-time.
- **Stand-by dimming level [zone (13)]**
Press buttons in zone (13) to set the stand-by dimming level at 10% / 20% / 30% / 50%.
Note: 24h / 12h / 4h / 30s are disabled..
- **Dual tech & RF mode [zone (14)]**
 1. HF, PIR, HF+PIR, HF/PIR are disabled.
 2. For RF grouping, please see below.

Sensor setting go back to default setting as followed, after press reset:

- **Detection range:** 100%
- **Hold time:** 1min
- **Stand-by time:** 5min
- **Stand-by dimming level:** 20%
- **Daylight threshold:** Disable

RF grouping

Short press "Learn/Erase" button on RC to activate pairing mode, and the receiver unit will flash once every second for 3min.

Note: the unit can only pair up to 30 units.

Step1

Red LED indicator is on for 3min



The receiver unit (slave unit)

Short press "Learn /Erase" button



Step2

The red LED indicator flash one time.



The commander unit (master unit)

The red LED indicator flash rapidly when RF signal is received



The receiver unit (slave unit)

Short press "Transmit" button



Short press "Transmit" button on RC, the commander unit (master unit) will flash one time to send the transmission signal.

Upon receiving the transmission signal, the receiver unit (slave unit) will rapidly flash 3 times in 1s to indicate the success of pairing. Repeat this step to pair more units.

One more short press on "Learn/Erase" button to the receiver unit to complete the pairing process, the receiver unit will quit the pairing mode.

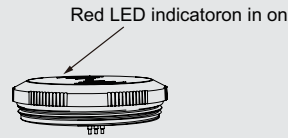
Note:

Press button RX100%, the light on receiver unit is 100% on upon receiving RF on signal; Press "RX STBY%" button, the light(s) goes to preset stand-by dimming level directly.

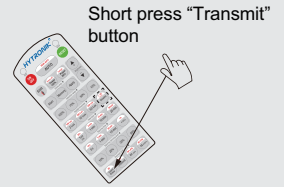
Erase:

Long press "Learn/Erase" button for 3s to the sensor unit.
The red LED indicator rapidly flash for about 5s. All commands it has received before will be erased.

Step3



The receiver unit (slave unit)



Short press "Transmit" button

SECTION 3: TROUBLESHOOTING

MALFUNCTION CAUSE REMEDY	CAUSE	REMEDY
The fixture does not light up	Incorrect daylight threshold setting	Adjust daylight threshold setting
	Faulty fixture	Replace fixture
	No power supply	Check power to sensor
The fixture is always on	Continous movement in the detection zone	Check detection area setting
The fixture is on when it should not	Sudden change in temperature due to weather (wind, rain, snow) or air expelled from fans, or open windows	Adjust zone, change installation site

Caution

- Read through this specs before installation.
- Handle the product with care.
- The product must be grounded.
- This product must be installed and maintained by certified electrician.
- Consult with the manufacturer before maintenance.
- Make sure the products are securely installed.
- The housing might become hot after operation.
- Primary use : High-bay luminaires for commercial and industrial buildings.
- Make sure the construction is strong enough to support the products.
- The product will automatically shut down once the tempeprature goes too high, and will automatically turn on once it cools down.
- The external flexible cable or cord of this luminaire cannot be replaced, if the cord is damaged, the luminaire shall be destroyed.



SKU	EAN	PRODUCT
T338	5060774550540	150W LED High bay
T339	5060774550557	200W LED High bay
T343	5060774550564	RF Wireless Sensor
T344	5060774550588	Remote Control