

ENER-J®

Smart Home Living

SOLAR RGB METEOR SHOW STRING LIGHTS USE IN INDOOR OR OUTDOOR



10m



10Bulbs



IP44



3.7V
1200mAh



Solar



RGB

SKU CODE:

T474

Ean Code on box:

5061004711021

Packing

Inner packing Qty

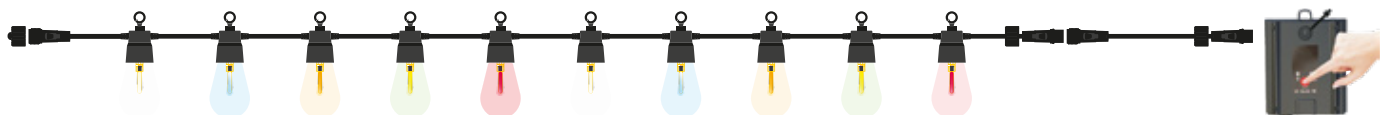
1Set

Outer Carton Packing Qty

12Sets/Carton

Features

- **Combination of RGB mode and illumination warm white:** can use for normal lighting purpose, and create a romantic atmosphere for your holiday by RGB mode .
- **Easy to install:** with solar panel, no wiring. And each bulbs have a integrated rotatable hook, make it easy to hang.
- **Weatherproof :** IP44 waterproof string lights perfect for indoor outdoor.
- **Widely Use:** Suitable for decorate the holiday, party, Christmas, Halloween, Thanksgiving Day, shopping mall, hotel, park, street and etc.

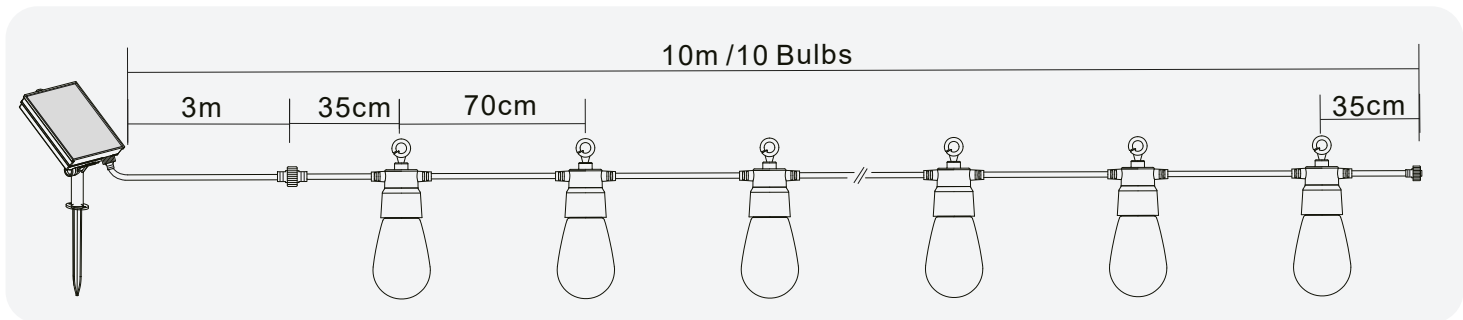


Technical Parameters

| | |
|------------------------------|---|
| Model No. | TM-LS-4.1.2-10L |
| Voltage | 220-240V 50Hz~60HzSolar Powered, Output: 4.2V 180mA |
| Waterproof Level | IP44 |
| Power per bulb | 0.05W |
| Total Power | 0.5-0.75W |
| LED colour | Red, Green, Blue, Cool White, Golden |
| Bulb Qty | 10pcs (1 pc extra cover included) |
| Cable total length | 10M |
| Distance between Bulb | 70cm |
| Length from plug to 1st bulb | 3M |
| Solar panel spec | 105x90mm, 1.35W 4.5V/300MA |
| Battery spec | 18650 3.7V 1200mAH |
| Working time | >8Hrs after full charged |




- List of accessories**
1. 1 x String lights of 10 bulbs
 2. 1 x Extension cord
 3. 1 x solar panel
 4. 1 x Ground Stake
 5. 1 x Mounting Base
 6. 2 x screw
 7. 2 x Wall Plugs
 8. 1 x Rechargeable Batteries (Pre-installed)
 9. 1 x USB charging cable



1. Wall Mounting

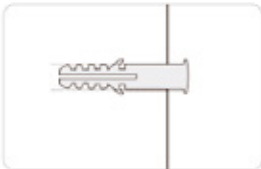
Step 1.

Drilling 2 holes to the chosen surface




Step 2.

Fix wall plugs into holes



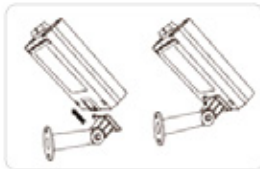
Step 3.

Fix the bracket by screws



Step 4.

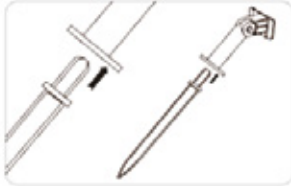
Slide the solar panel onto the bracket



2. Installation to Ground

Step 1.

Connect the ground stake to the bracket



Step 2.

Slide the solar panel onto the bracket



Step 3.

Plug the solar panel to ground



Stuck? Confused?

Contact our Technical Support team on:

T: +44 (0)1291 446 105 E: support@ener-j.co.uk

Lines are open Mon - Fri (8am to 4pm)