

# 1 Gang Wireless Grid Switch



ENER-J's 1 Gang wireless grid switch is compatible with the Click Scolmore Mini Grid and can be installed into it.

It is compatible with both the standard switch and our ECO Range non-dimmable receiver controller. The switch incorporates a built-in micro energy generator that converts kinetic energy from pressing the switch into power. This energy is then transmitted to the receiver, enabling the control of lamps or other connected loads. This innovation effectively resolves the long-standing challenge of requiring complex switch wiring installation, a predicament that has persisted since the inception of the lamp.



Press with finger to produce kinetic energy



Internal module collects kinetic energy



Kinetic energy is converted into electricity



Communication module transmits signal



Receiver controls the light



No Wiring. No Battery. Easy installation and usage.



IP Rating



No Battery



Can be used 2 Way



No Wiring



Distance 20m (indoor)

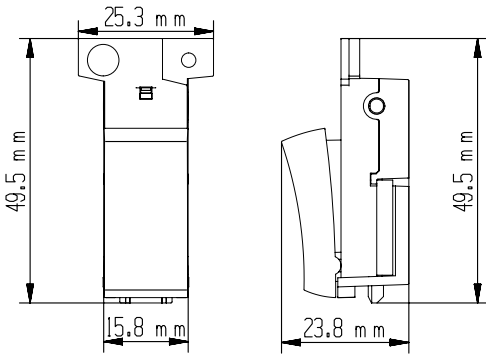


No Drilling of Holes

## Technical Specifications:

<b>Work Type</b>	Reciprocating work by Grid Switch
<b>Power Model</b>	Power generation by mechanical force (no battery required)
<b>Work Frequency</b>	433MHz
<b>Number Keys</b>	1 Key
<b>Colour</b>	Black
<b>Lifetime</b>	100,000 times
<b>Distance</b>	20m (indoor)
<b>Work Environment Temperature</b>	20°C - 55°C
<b>Weight</b>	15g
<b>Certification</b>	CE, ROHS, FCC, UKCA

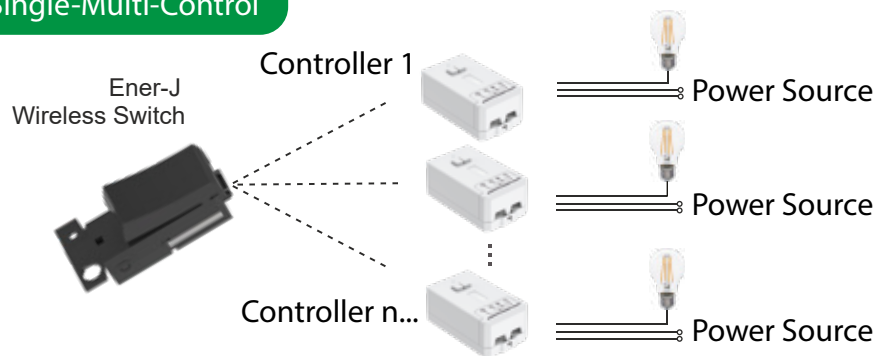
## Product Dimensions



# Ener-J Controller Wireless Systems

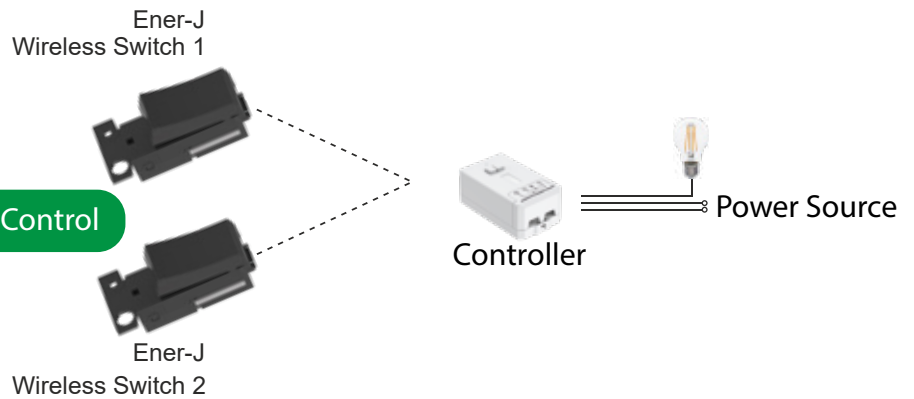
### Single-Multi-Control

#### 1 - Way wireless System



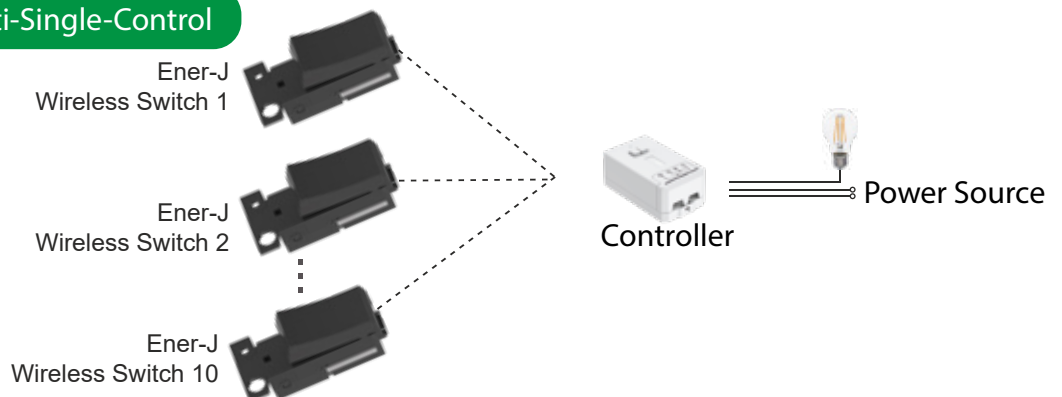
#### 2-Way Wireless System

### Dual Control



### Multi-Single-Control

#### 3-Way Wireless System



#### Stuck? Confused?

Contact our Technical Support team on:  
 T: +44 (0)1291 446 105 E: support@ener-j.co.uk  
 Lines are open Mon - Fri (8am to 4pm)

Email: info@ener-j.co.uk

Web: www.ener-j.co.uk