

1 Gang Click MiniGrid Style Satin Chrome



It can be used with dimmable and non-dimmable receivers.

Features

- ▶ ENER-J's 1 Gang wireless grid switch is compatible with MK grid plus system and can be installed into MK grid plus plates.
- ▶ It can be used with the standard or with the dimming ECO Range receiving controller. It has a built-in micro energy generator - when the switch is pressed the kinetic system transforms the movement into energy. This transmits a signal to the receiver to turn the lamp or other load on or off. This solves the issue of having to install switch wiring which has been a problem ever since the invention of the lamp.
- ▶ Can be used alongside mains voltage grid switches.
- ▶ No Wiring. No Battery. Easy installation and usage.



IP Rating



No Battery



Can be used
2 Way



No Wiring



Distance
upto 20m
(indoor)



No Drilling
of Holes



*This product is not intended for use in metal back boxes



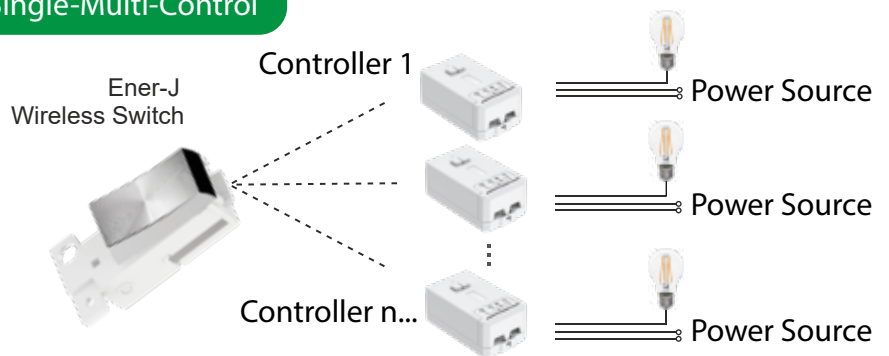
Technical Specifications:

Work Type	Reciprocating work by Grid Switch
Power Model	Power generation by mechanical force (no battery required)
Work Frequency	433MHz
Number Keys	1 Key
Colour	Satin Chrome
Lifetime	100,000 times
Distance	20m (indoor)
Work Environment Temperature	20°C - 55°C
Weight	15g
Certification	CE, ROHS, FCC, UKCA

Ener-J Controller Wireless Systems

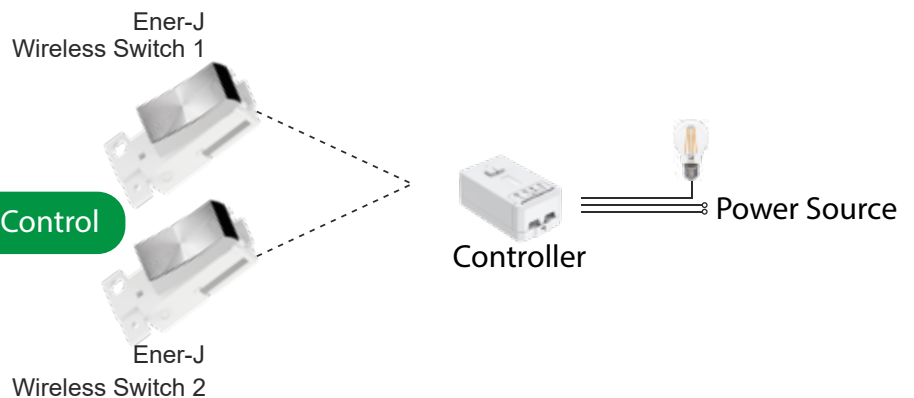
Single-Multi-Control

**1 - Way
wireless System**



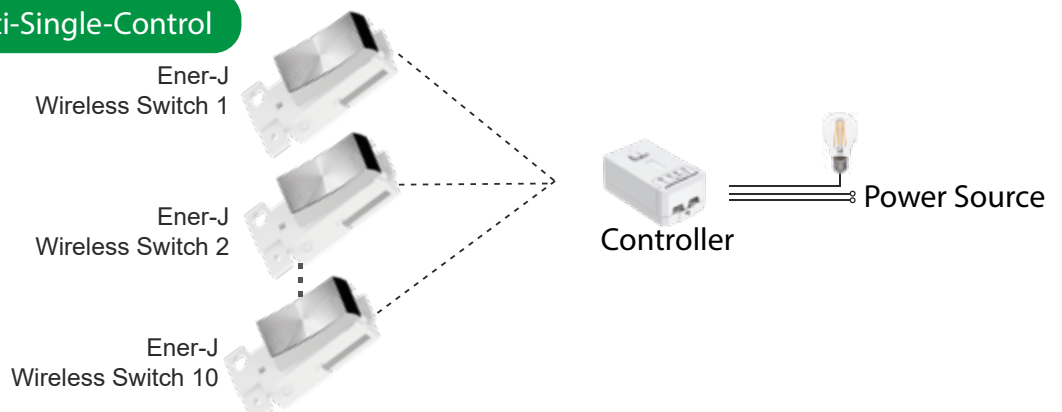
**2-Way
Wireless System**

Dual Control



**3-Way
Wireless System**

Multi-Single-Control



Stuck? Confused?

Contact our Technical Support team on:
 T: +44 (0)1291 446 105 E: support@ener-j.co.uk
 Lines are open Mon - Fri (8am to 4pm)

Email: info@ener-j.co.uk

Web: www.ener-j.co.uk