



INSTALLATION & MAINTENANCE MANUAL

ALC1BK / ALC2BK / ALS1BK / ALS2BK

GENERAL INSTRUCTIONS

These instructions should be read carefully and retained after installation by the end user for future reference and maintenance.

**These instructions should be used to aid installation of the following products:
ALC1BK / ALC2BK / ALS1BK / ALS2BK**

SAFETY

- This product must be installed in accordance with the latest edition of the IEE Wiring Regulations (BS7671) and current Building Regulations. If in any doubt, consult a qualified electrician
- Please isolate mains prior to installation or maintenance
- Check the total load on the circuit (including when this luminaire is fitted) does not exceed the rating of the circuit cable, fuse, or circuit breaker
- Please note the IP (Ingress Protection) rating of this product when deciding the location for installation
- This product is Class II double insulated
- This product is IP65 rated

INSTALLATION

Note - If this luminaire is being used in conjunction with an external PIR or sensor, please confirm with the manufacturer of the sensors that they are compatible with LED lamps.

- Provide power to the required point of installation (refer to BS7671 for correct cabling methods). Suitable IP rated junction boxes should be used where required
- Remove the baseplate from the luminaire body by loosening the screws on either side of the base (see Fig. 1)
- Round cable should be used for the mains supply. The use of flat cable will cause water ingress to the fitting
- Using the baseplate as a template, mark the location for, and drill the fixing holes ensuring not to infringe with any gas/water pipes or electrical cables (see Fig. 1)
- Feed the mains cable through the rubber grommet to retain IP rating, and secure the baseplate to the surface using the screws and wall plugs provided
- Connect the luminaire to the mains supply ensuring the correct polarity is observed: L – Live (brown) and N – Neutral (blue) (see Fig. 1)
- Align the luminaire body with the baseplate and refasten the screws (see Fig. 1)
- Insert suitable GU10 LED lamp/s (see Fig. 1)

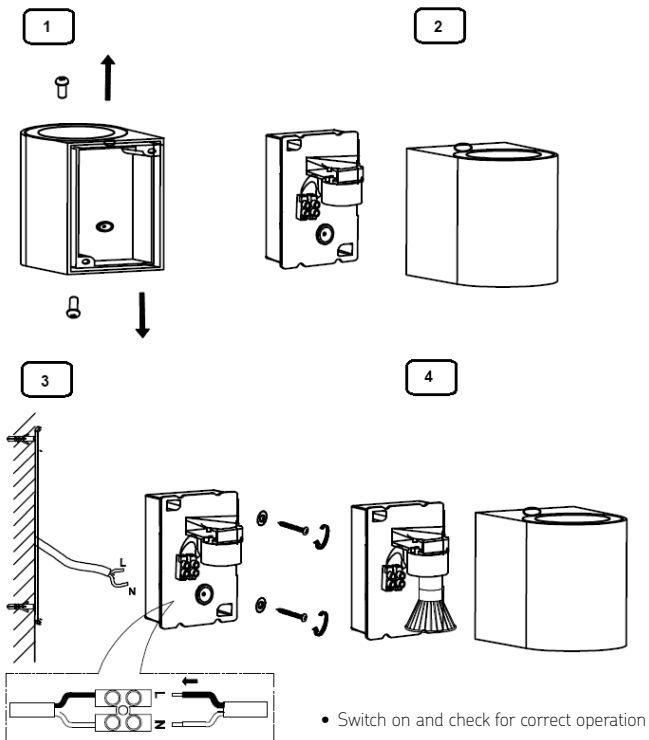


Fig. 1

GENERAL

Clean the external surfaces with a damp cloth using a mild solution of detergent and warm water only, do not use aggressive cleaning products or solvents which may damage the product.

This product is dimmable dependent on lamp type.

This product should be recycled in the correct manner when it reaches the end of its life.

Check local authorities for where facilities exist.

WARRANTY

This product has a warranty of 3 years from date of purchase. Failure to install this product in accordance with the current edition of the IEE Wiring Regulations (BS7671), improper use, or removal of the batch code will invalidate the warranty. If this product should fail within its warranty period, it should be returned to the place of purchase for a free of charge replacement. ML Accessories does not accept responsibility for any installation costs associated with the replacement product. Your statutory rights are not affected. ML Accessories reserve the right to alter product specification without prior notice.

Supplied By:

(UK) Manufacturer

ML Accessories Ltd, Unit E Chiltern Park, Boscombe Road,
Dunstable LU5 4LT, www.mlaccessories.co.uk

(EU) Authorised Representative

nnuks Holding GmbH, Niederkasseler Lohweg 18, 40547
Düsseldorf, Germany, www.nnuks.com

Email: eprel@nnuks.com



AVAPR22_V1