

Knightsbridge

These instructions should be read carefully and retained after installation by the end user for future reference and maintenance.

SAFETY

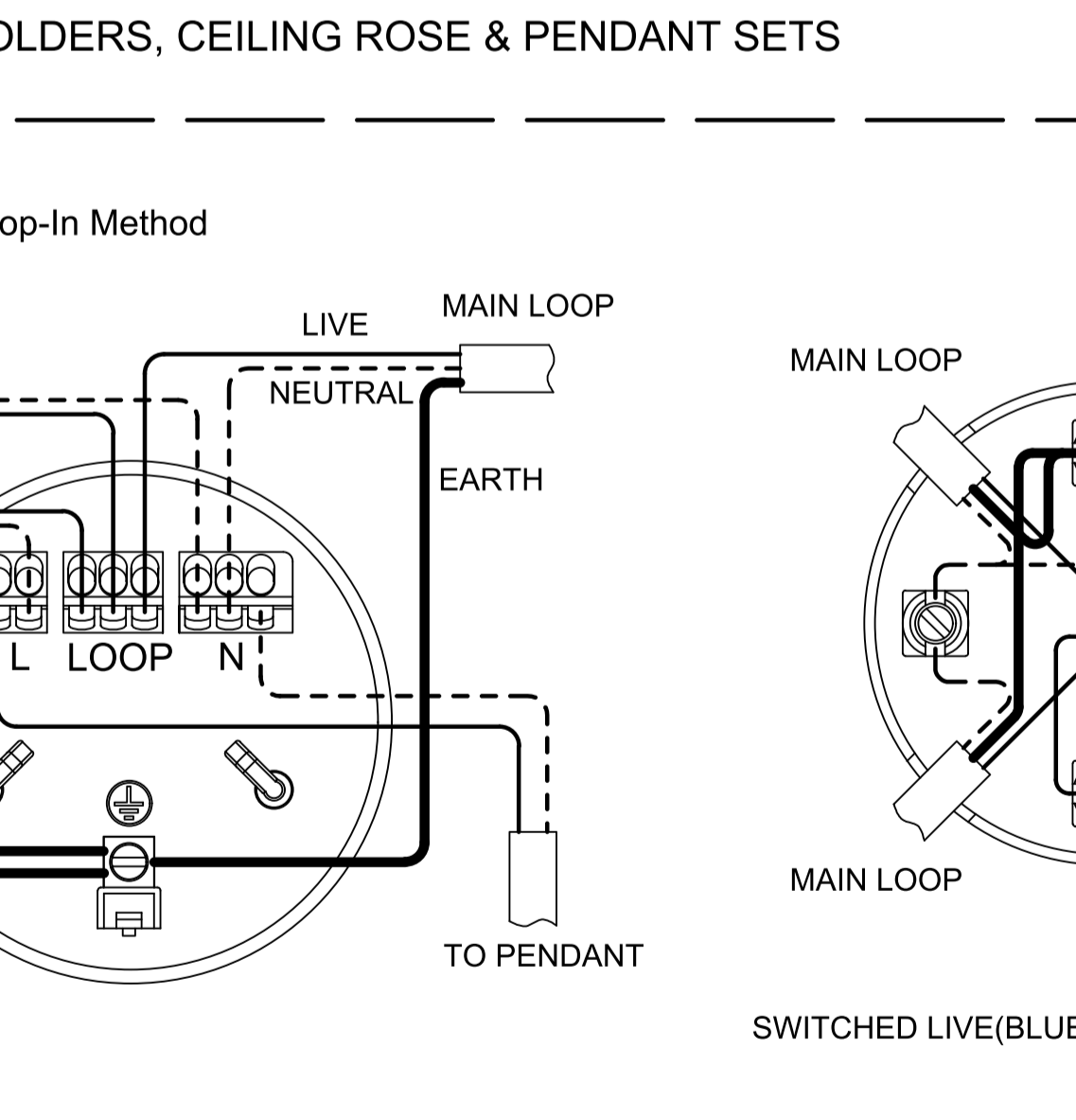
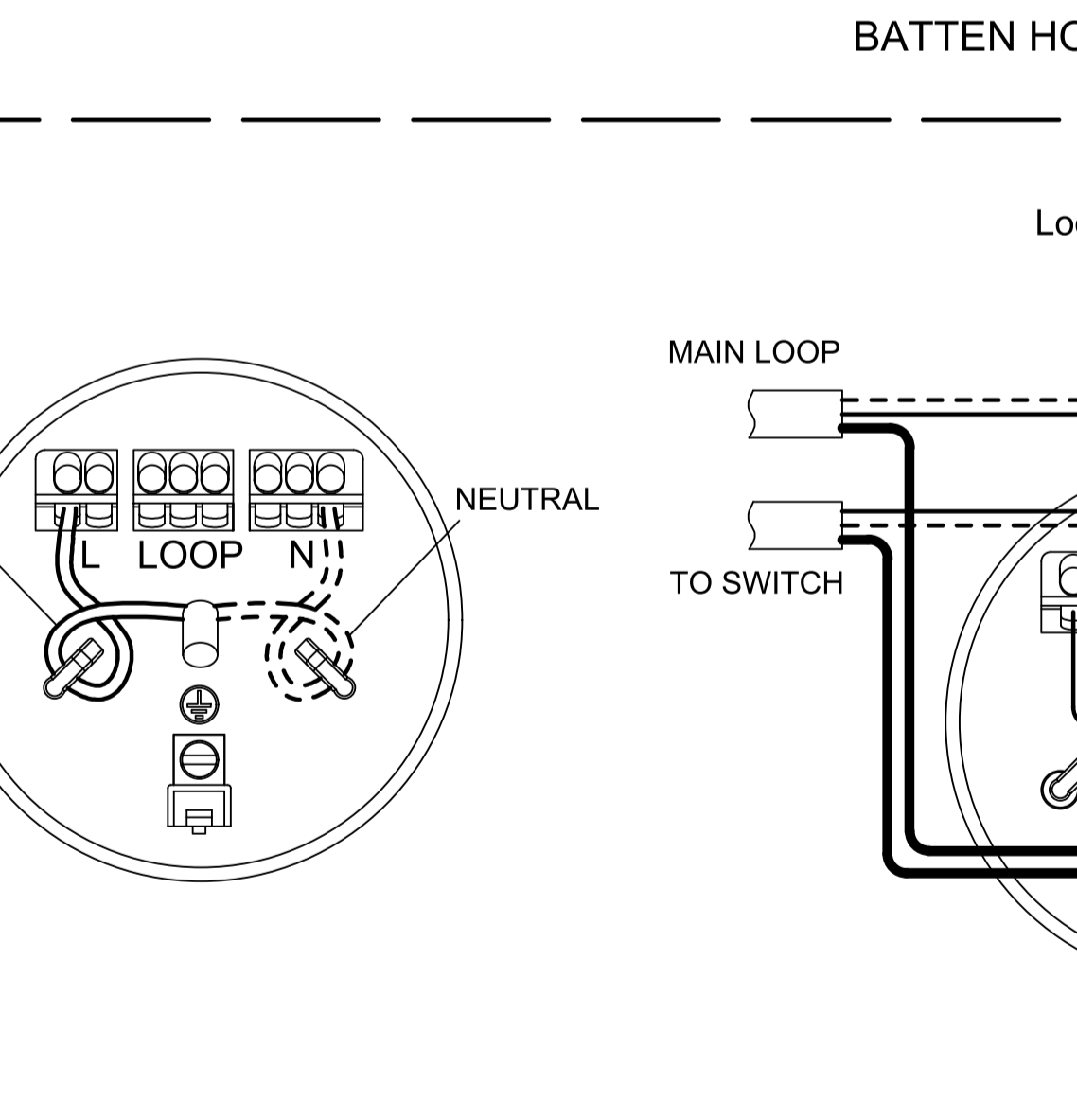
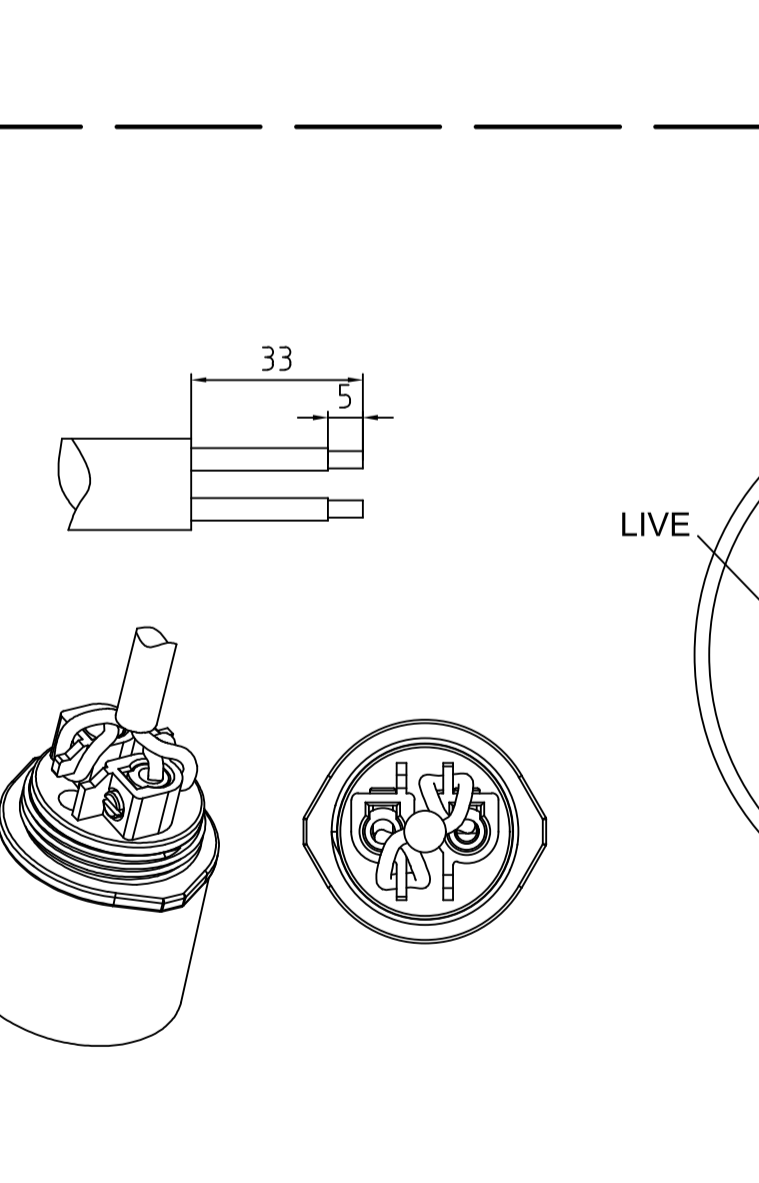
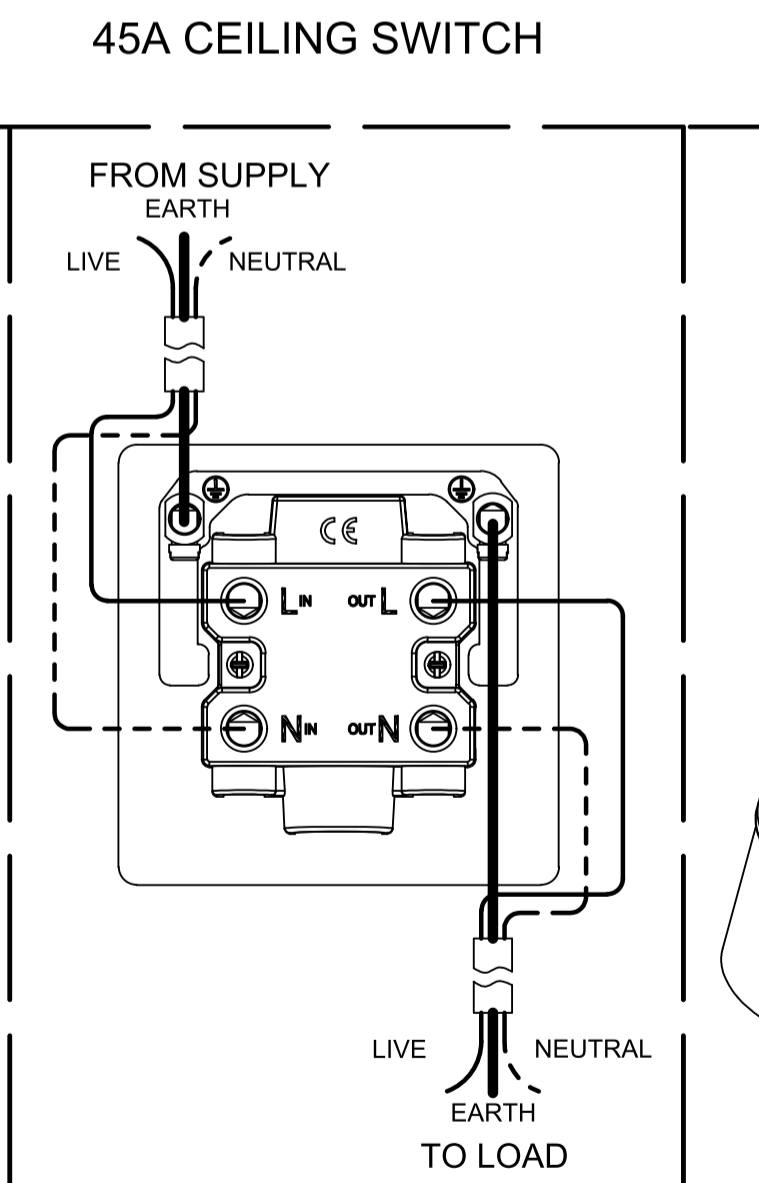
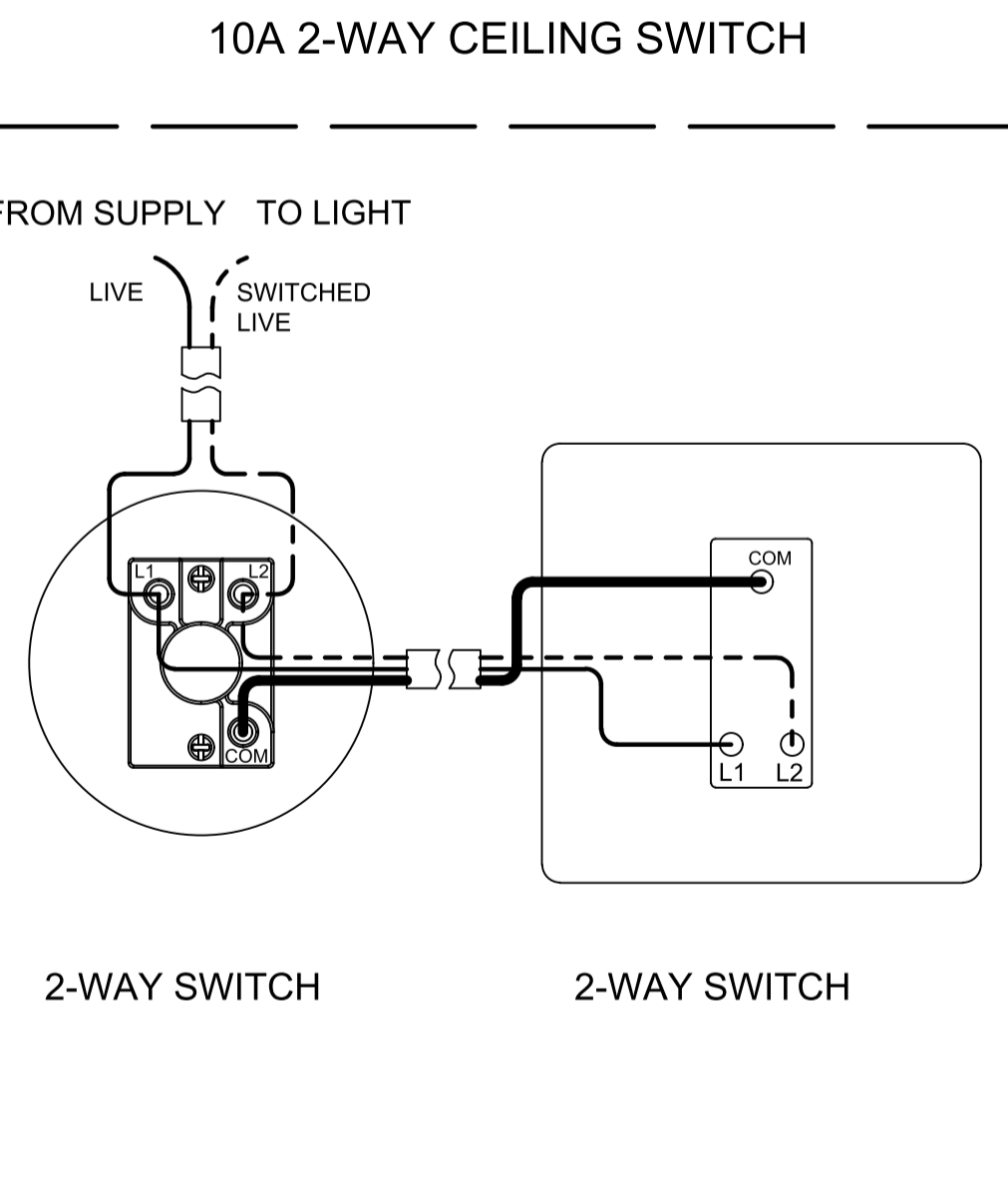
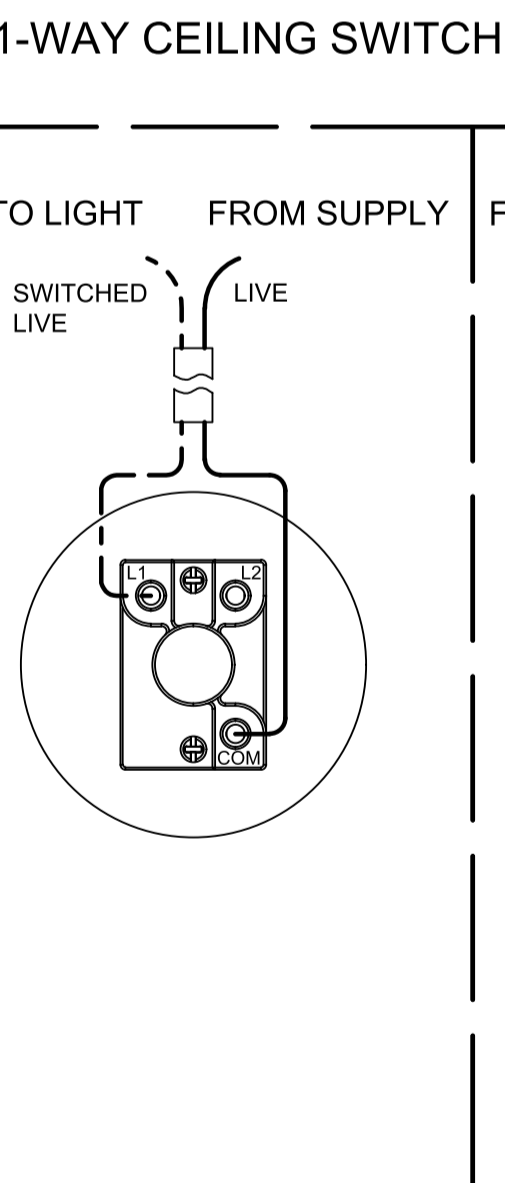
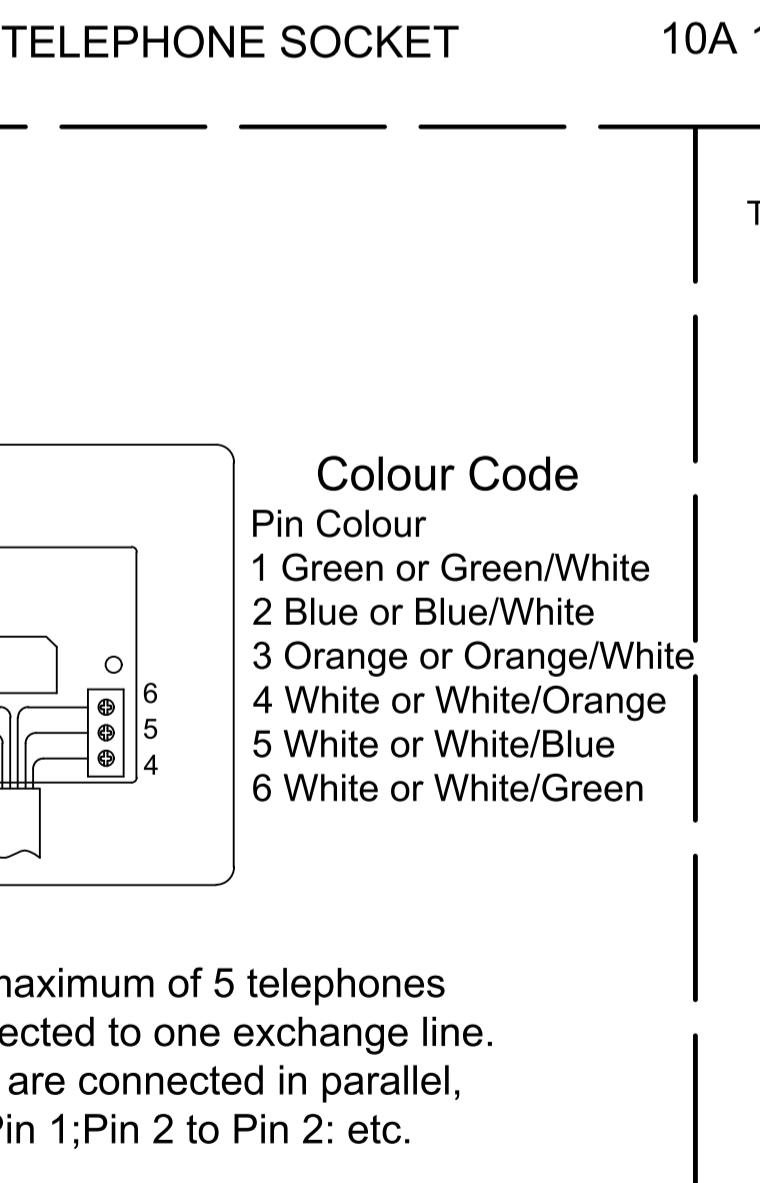
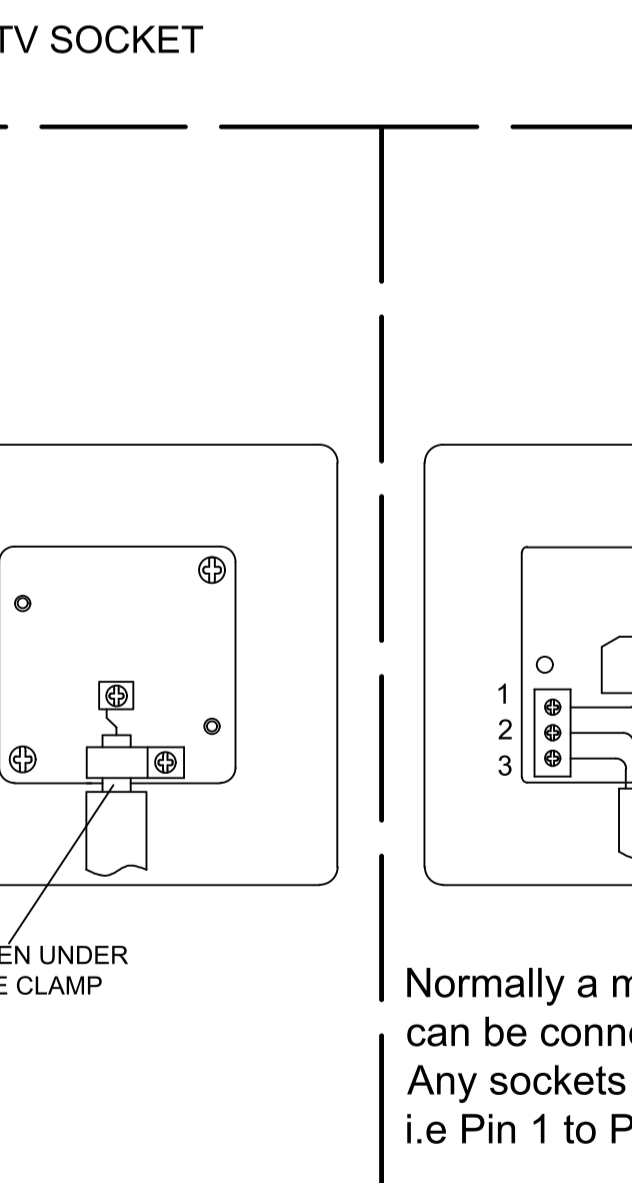
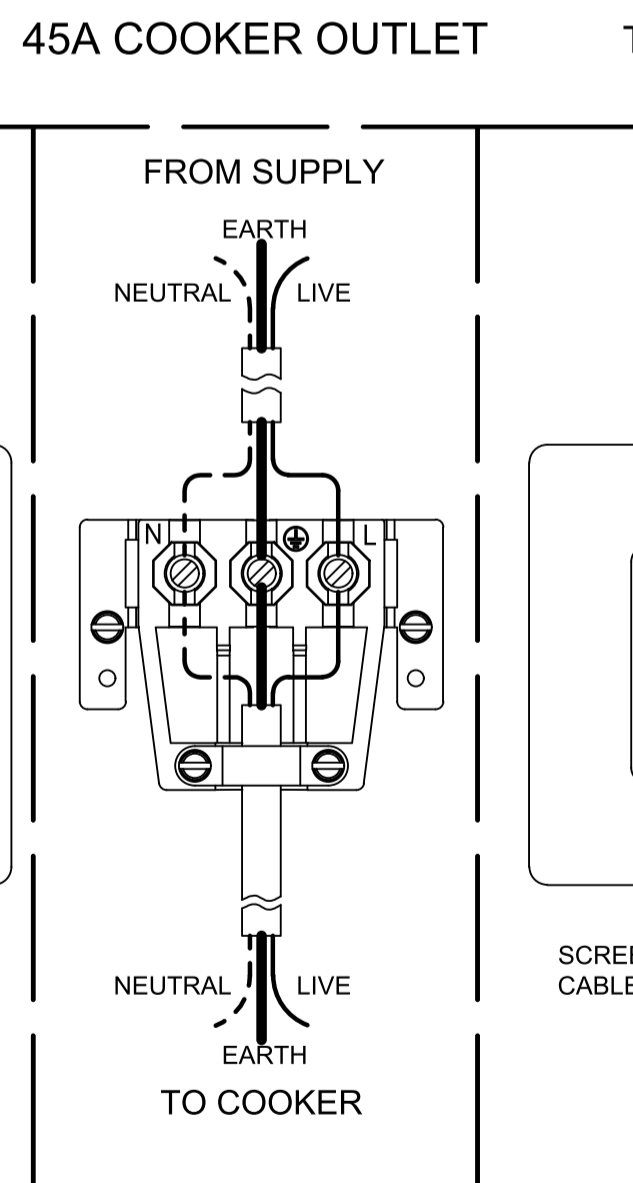
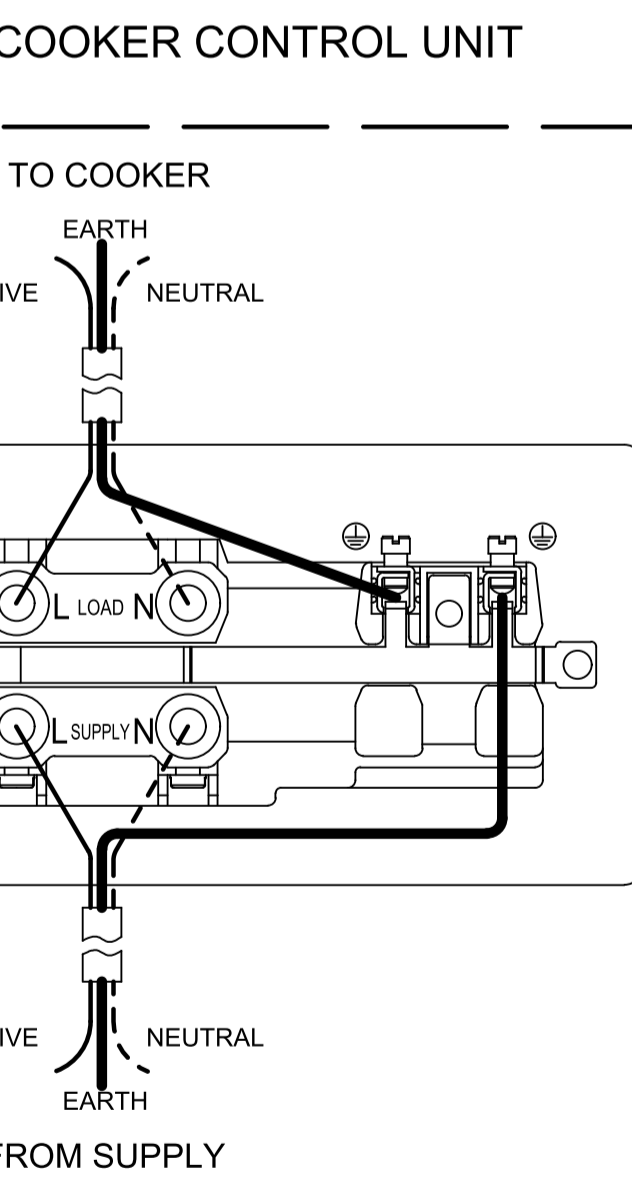
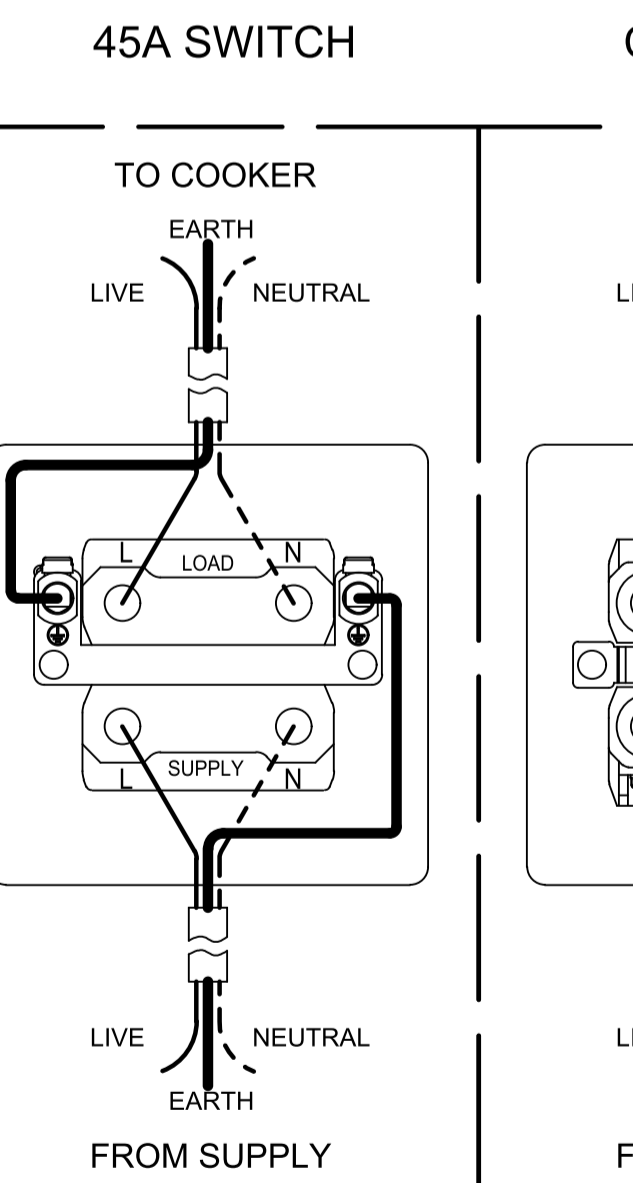
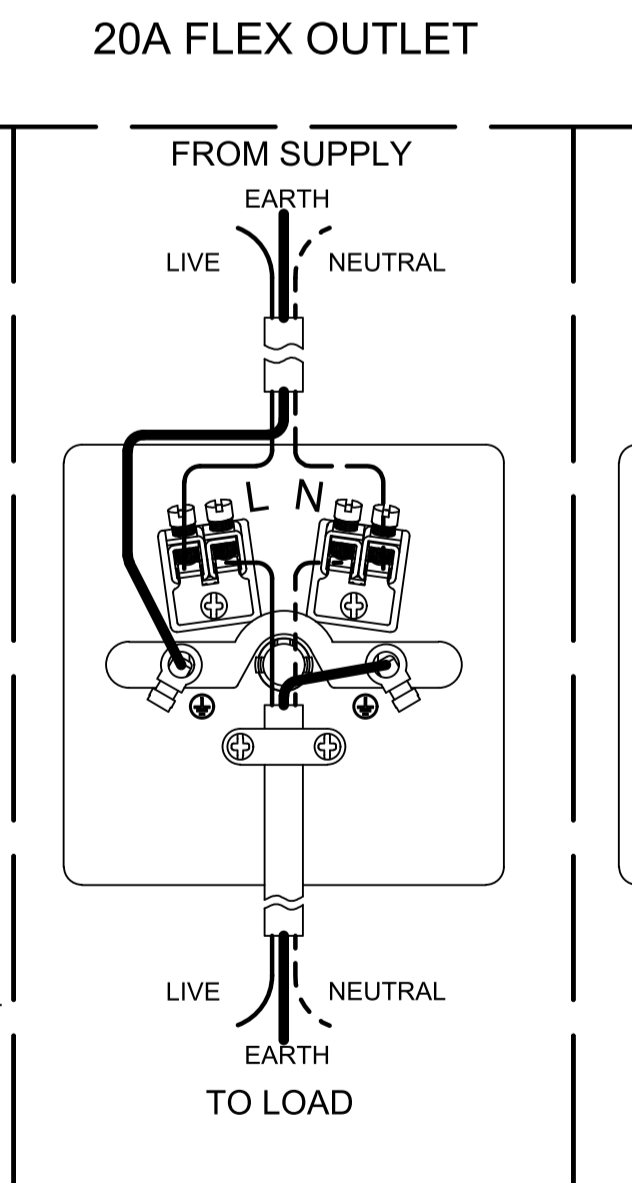
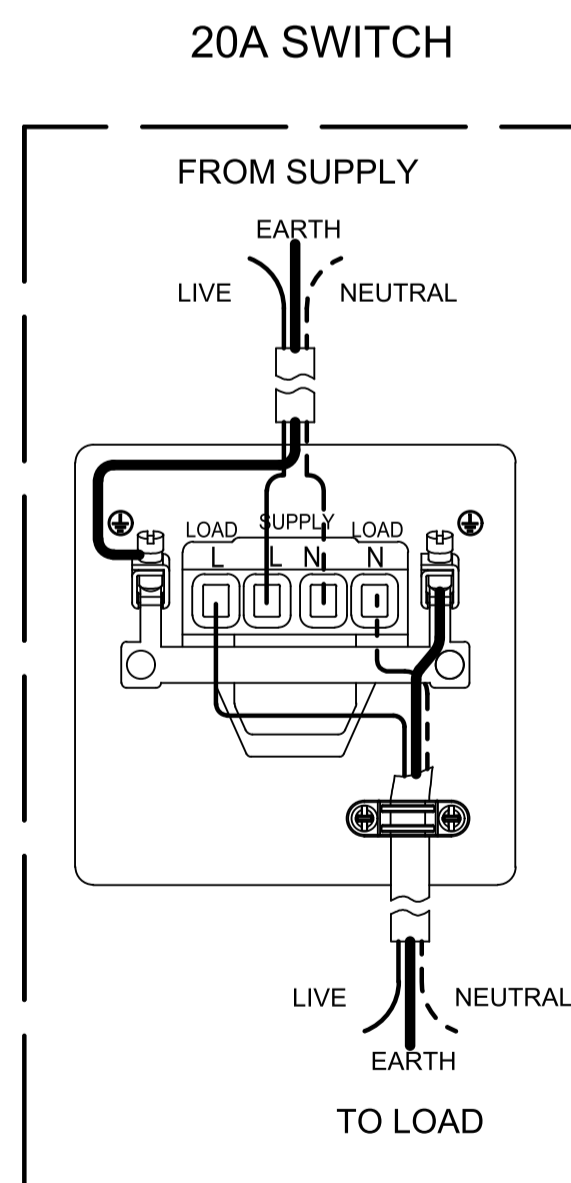
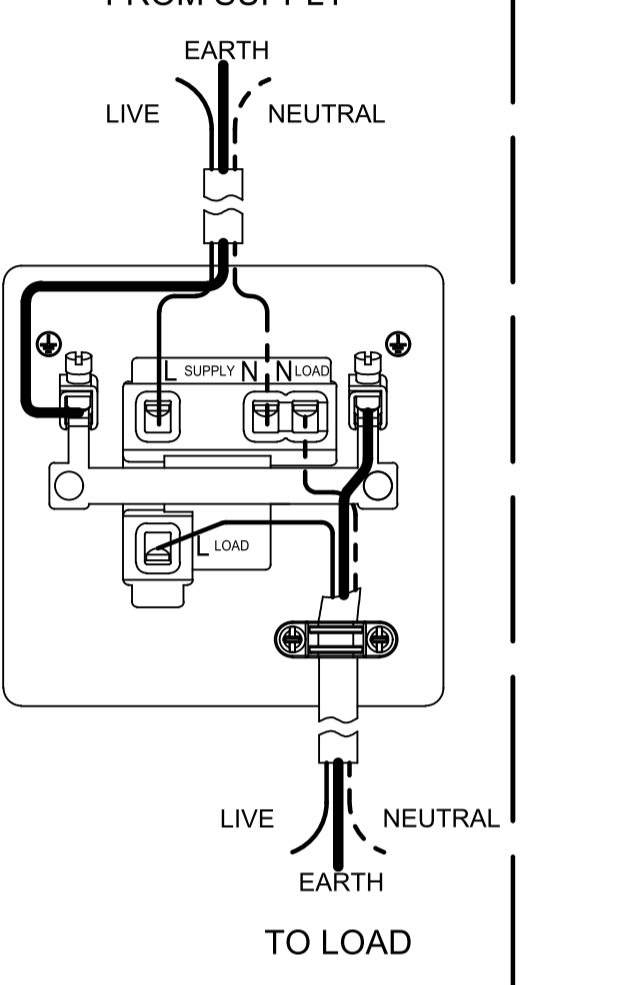
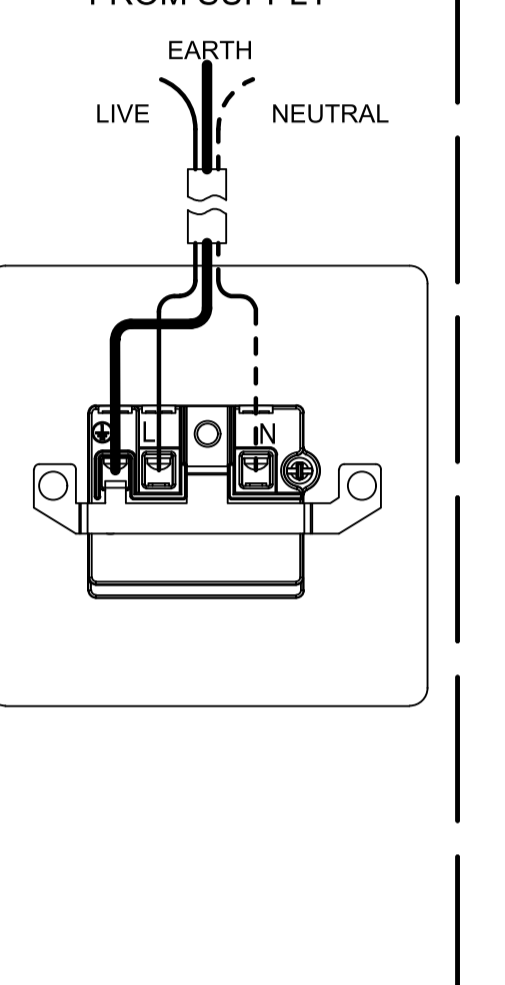
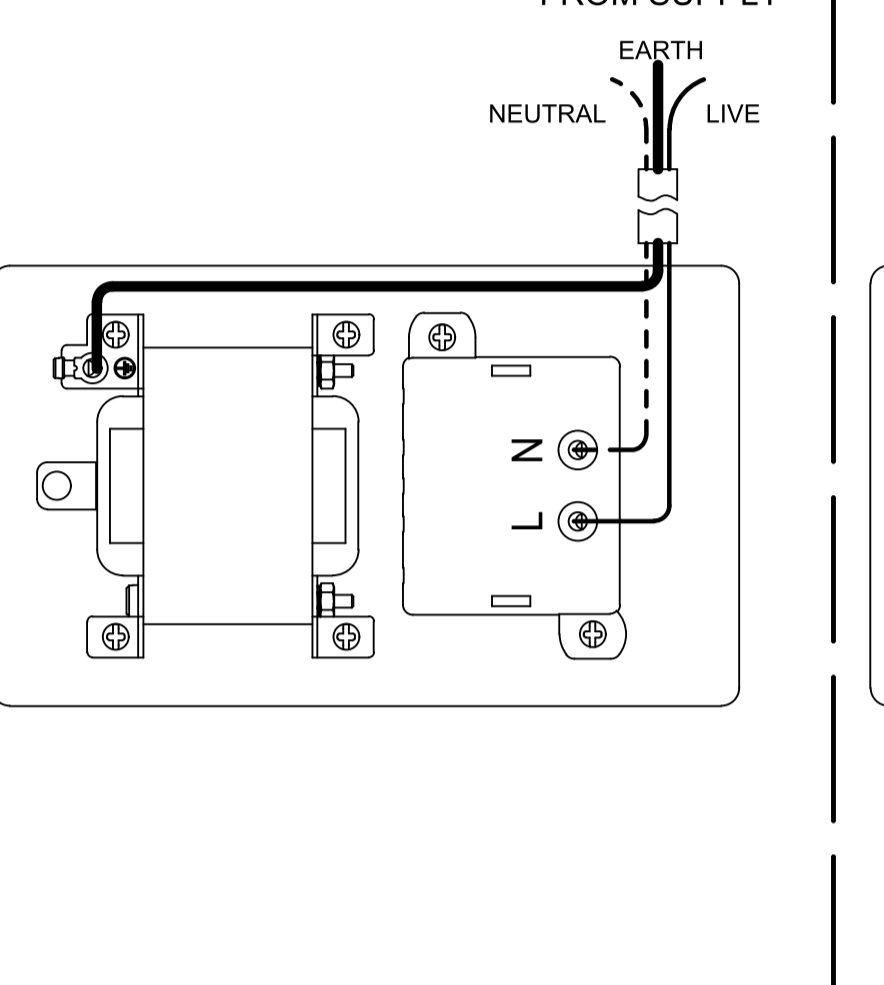
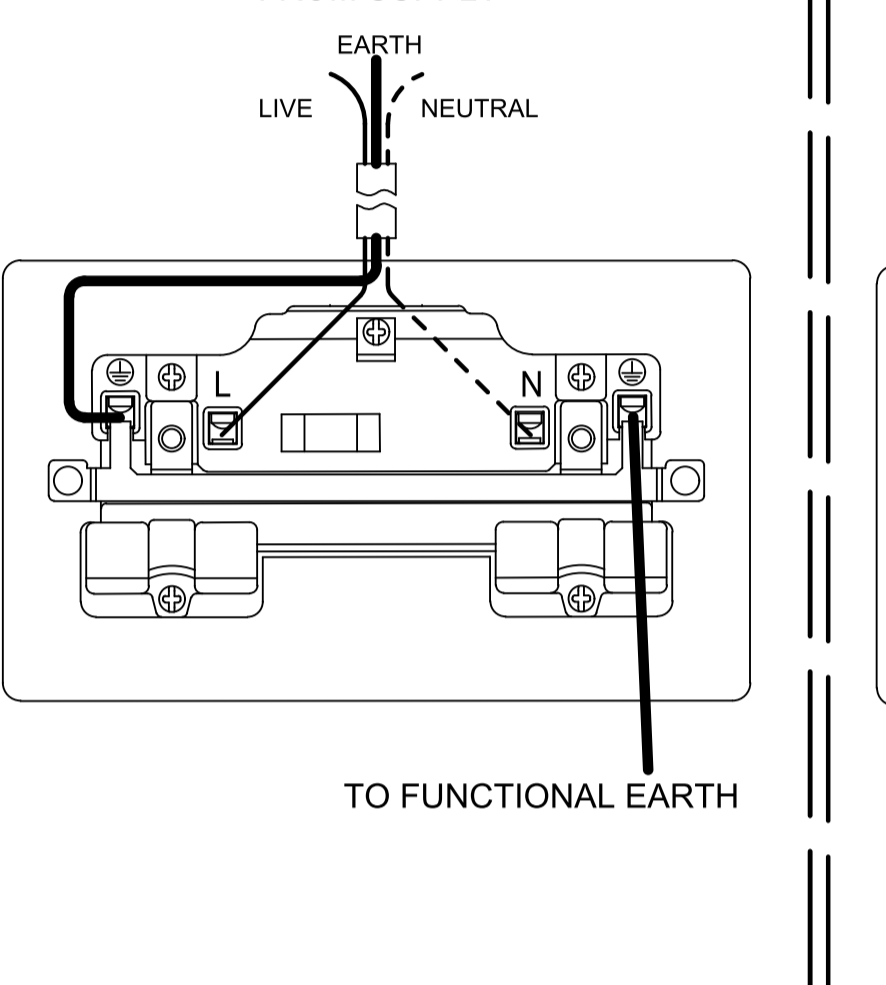
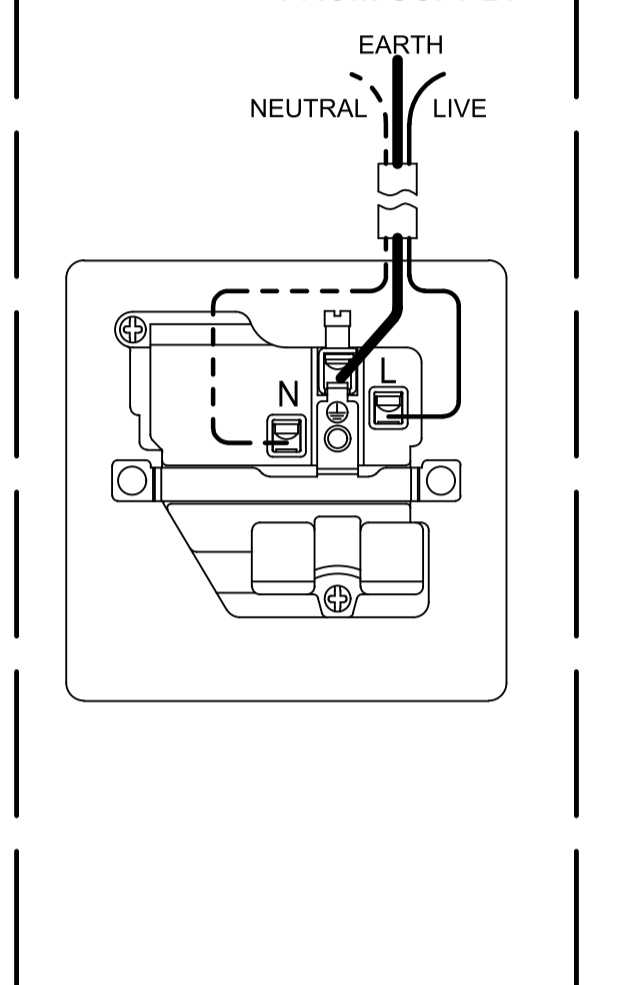
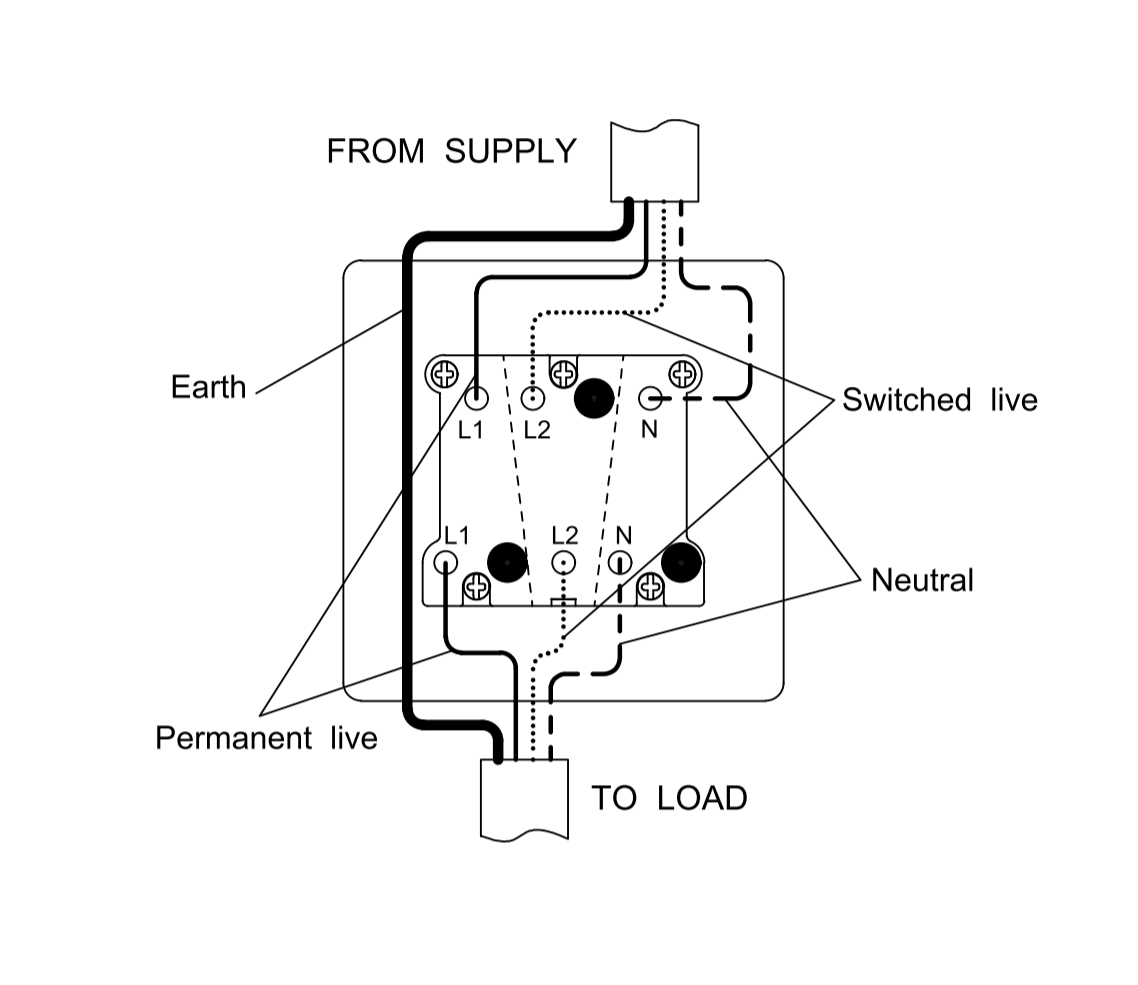
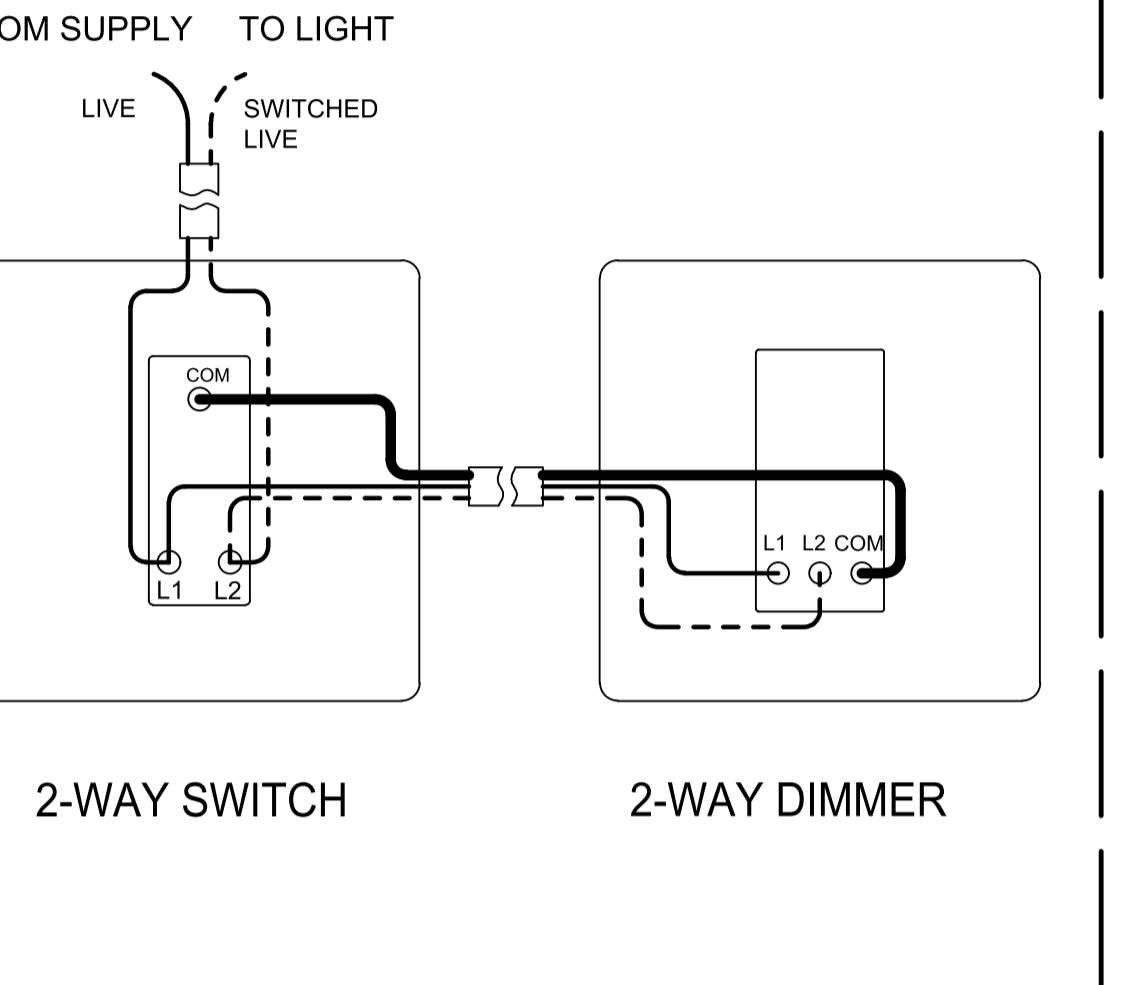
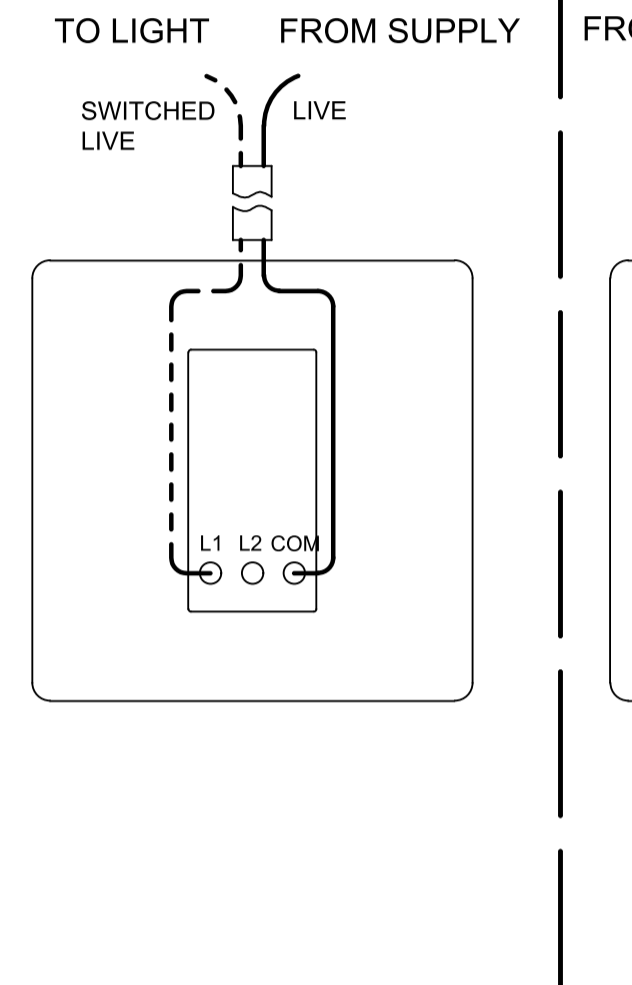
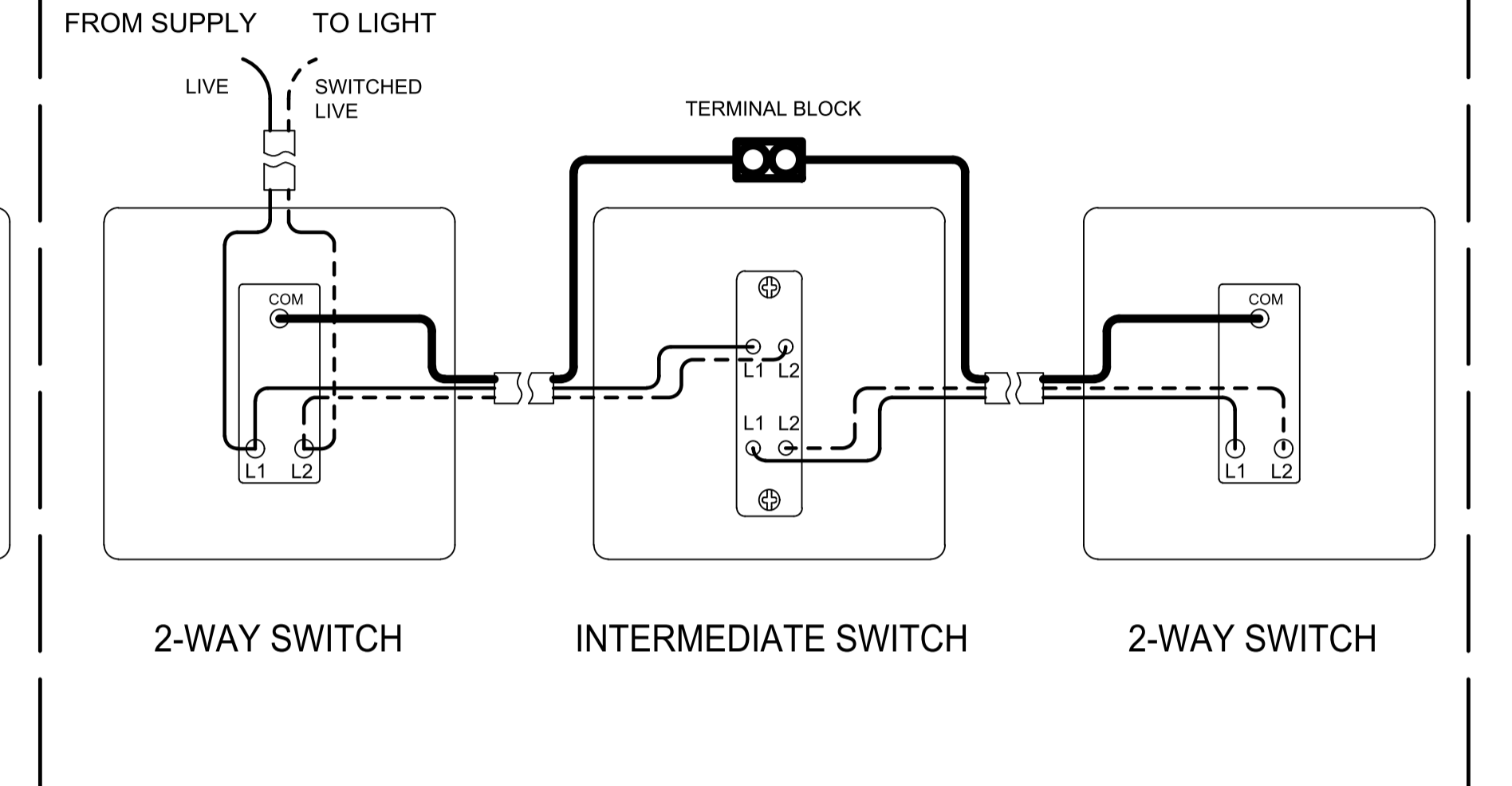
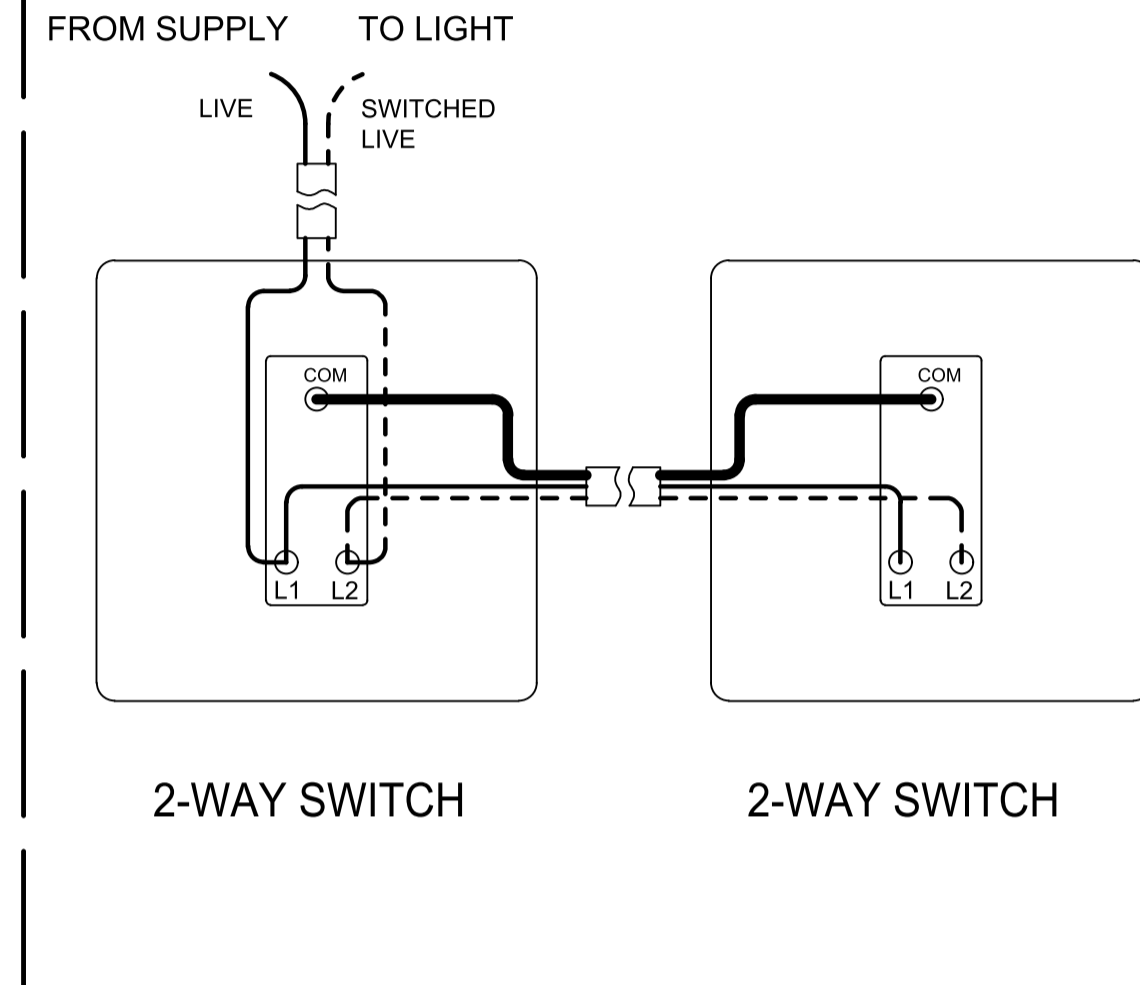
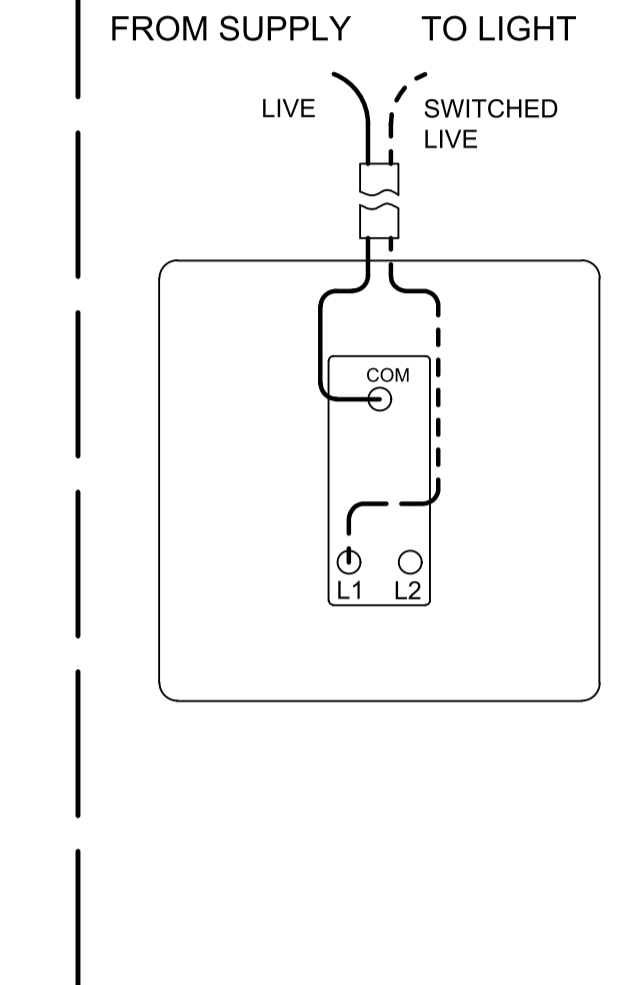
- This product must be installed in accordance with the latest edition of the IEE Wiring Regulations (BS7671) and current Building Regulations. If in any doubt, consult a qualified electrician.
- Please isolate mains prior to installation.
- Check the total load on the circuit (including when this product is fitted) does not exceed the rating of the circuit cable, fuse or circuit breaker.
- Do not overload this accessory or subject it to conditions outside its rating.
- Please note the IP (Ingress Protection) rating of this product when deciding the location for installation.
- This product is for indoor use only.

INSTALLATION

- Always ensure the wall surface is flat and smooth.
- Connect the accessory as per the diagram in this manual, ensuring the correct polarity is observed; terminal positions may vary.
- L - LIVE - Brown

WARRANTY

Knightsbridge Wiring Accessories have a warranty of 25 years for mechanical operation from date of purchase with the exception of products containing electronic components such as dimmers and USB chargers, which have a 2 year warranty. Failure to install this product in accordance with the current edition of the IEE Wiring Regulations (BS7671), improper use, or removal of the batch code will invalidate the warranty. If this product should fail within its warranty period, it should be returned to the place of purchase for a free of charge replacement. ML Accessories does not accept responsibility for any installation costs associated with the replacement product. Your statutory rights are not affected. ML Accessories reserve the right to alter product specification without prior notice.



Supplied By:

ML Accessories Ltd, Unit E Chiltern Park, Boscombe Road, Dunstable LU5 4LT, www.mlaccessories.co.uk

(EU) Authorised Representative

mnuks Holding GmbH, Nickerkestrasse 18, 40547 Düsseldorf, Germany, Email: eprel@mnuks.com

DCJUN22

Colour Code

Pin Colour

- 1 Green or Green/White
- 2 Blue or Blue/White
- 3 Orange or Orange/White
- 4 White or White/Orange
- 5 White or White/Blue
- 6 White or White/Green

Normally a maximum of 5 telephones can be connected to one exchange line. Any sockets are connected in parallel, i.e. Pin 1 to Pin 1; Pin 2 to Pin 2: etc.