



INSTALLATION & MAINTENANCE MANUAL

SK005A

GENERAL INSTRUCTIONS

These instructions should be read carefully and retained after installation by the end user for future reference and maintenance.

**These instructions should be used to aid installation of the following product:
SK005A**

SAFETY

- Installation of this product should only be carried out by a qualified electrician or competent person to the latest Building and current IEE Wiring Regulations (BS7671)
- Please isolate mains prior to installation/maintenance
- Check the total load on the circuit (including when this product is fitted) does not exceed the rating of the circuit cable, fuse or circuit breaker
- This product is Class I and requires an earth
- This product is IP54 rated (only when the product is in the closed position with no appliances attached)
- This product is for indoor use only

INSTALLATION

- Provide power to the required point of installation
- Locate a suitable place to mount the product. The mounting surface should be a minimum of 10mm and a maximum of 50mm thickness, and there must be sufficient space beneath the surface when the product is in the closed position
- Cut a 90mm hole in the surface allowing a 25mm clearance around the hole (see Fig 1)

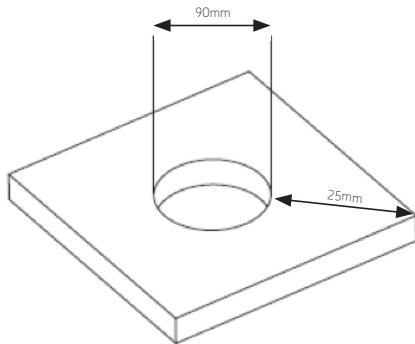


Fig. 1

- Remove the mounting collar and rubber gasket by rotating anti-clockwise
- Insert the product through the hole, place into the desired orientation, insert the rubber gasket, and tighten the mounting collar to the underside (see Fig. 2)

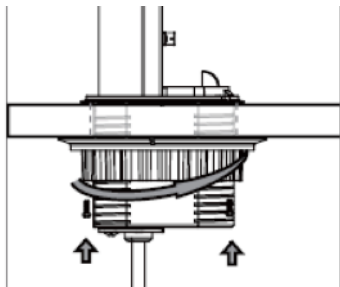


Fig. 2

- Connect to mains supply via the pre-wired cable and plug

OPERATION

- To raise the product, gently lift the handle on the top cover. Raise until it clicks, this means it's locked in position (see Fig 3a)
- To lower the product press the release button (see Fig 3b)

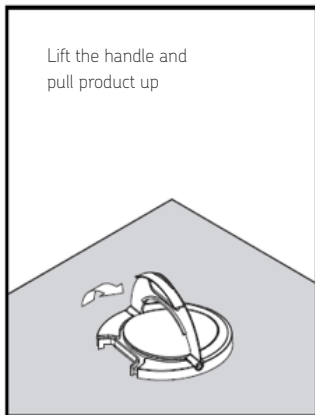


Fig. 3a

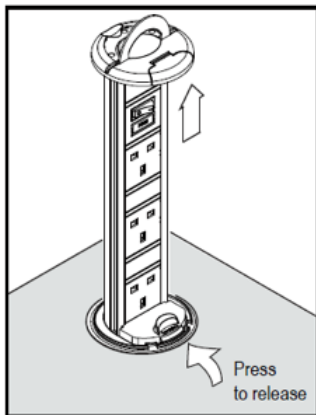


Fig. 3b

- Always use the handle to raise/lower the product (see Fig 4)

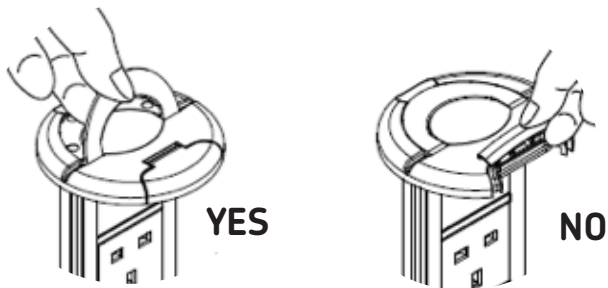


Fig. 4

SETTING UP BLUETOOTH SPEAKER

When the fitting is switched on, the Bluetooth signal indicator will start flashing - at this point the fitting is discoverable (see Fig 5)

GENERAL

The fitting should be recycled in the correct manner when it reaches the end of its life. Check local authorities for where facilities exist.

Clean with a soft dry cloth only, do not use aggressive cleaning products or solvents which may damage the fitting.

WARRANTY

This product has a warranty of 1 year from date of purchase. Failure to install this product in accordance with the current edition of the IEE Wiring Regulations, improper use, or removal of the batch codes will invalidate the warranty. If this product should fail within its warranty period it should be returned to the place of purchase for a free of charge replacement. ML Accessories does not accept responsibility for any installation costs associated with the replacement product. Your statutory rights are not affected. ML Accessories reserve the right to alter product specification without prior notice.

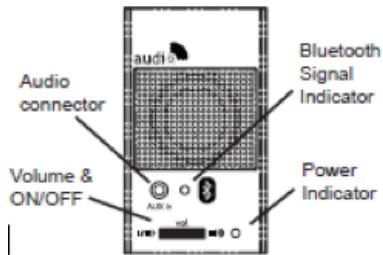


Fig. 5

- Turn on the Bluetooth on your device and search for devices
- Locate the fitting on the Bluetooth device list (called SPEAKER) and pair
- Once the device has paired successfully an audible beep will be heard and the Bluetooth signal indicator will flash

WARNING

This product must be disconnected from the circuit if subjected to any high voltage or insulation resistance testing. Irreparable damage will occur if this instruction is not followed. Please note that we do not recommend our 13A sockets be used for Electric Vehicle (EV) charging for prolonged periods.

USB CHARGING FUNCTION

This product is designed for charging portable USB devices only and contains a short circuit and overload protection feature. If there is no power from the USB socket unplug the connected device. Check to ensure the USB socket and USB device have not come into contact with water, liquid or debris and the cable to the device is not damaged. With no device connected to the USB socket it will automatically reset and be ready for use.



Manufacturers Declaration of Conformity
For ML Accessories (Knightsbridge)
Electrical products in accordance with UKCA marking

ML Accessories Ltd. declare that all products have been designed, manufactured, and tested in accordance with the requirements of the relevant legislation

UKCA marking legislation

UK SI 2016 No. 1091	Electro Magnetic Compatibility Regulations 2016
UK SI 2016 No. 1101	The Electrical Equipment (Safety) Regulations 2016
UK SI 2012 No. 3032	Restriction of the use of Certain Hazardous Substances in Electrical and Electronic Equipment Regulations 2012
UK SI 2017 No. 1206	Radio Equipment regulations 2017
UK SI 2021 No. 1095	The Ecodesign for Energy-Related Products and Energy Information (Lighting Products) Regulations 2021

Included Legislation

UK SI 2008 No. 2852	UK REACH
UK SI 2013 No. 3113	WEEE

Safety Standards

Full individual declarations and specific safety standards applicable to relevant product series can be found on our website www.mlaccessories.co.uk

We hereby declare that the equipment named above has been designed to comply with the relevant sections of the above referenced specifications. The products comply with all essential requirements of the directives.

Scott Brewer
Head of Technical

Catherine Connolly
CEO



ML Accessories Ltd. Unit E Chiltern Park, Boscombe Road, Dunstable. Bedfordshire, LU5 4LT



Manufacturers Declaration of Conformity
For ML Accessories (Knightsbridge)
Electrical products in accordance with CE marking

ML Accessories Ltd. Declare that all products have been designed, manufactured, and tested in accordance with the requirements of the relevant legislation

CE marking legislation

In Accordance with the following Directives:

2014/35/EU	Low Voltage Directive
2014/30/EU	EMC Directive
2014/53/EU	Radio Equipment Directive

Including Legislation

1907/2006	REACH
2015/863	RoHS
2021/341	ERP

Safety Standards

Full individual declarations and specific safety standards applicable to relevant product series can be found on our website www.mlaccessories.co.uk

We hereby declare that the equipment named above has been designed to comply with the relevant sections of the above referenced specifications. The product complies with all essential requirements of the directives.

A handwritten signature in black ink, appearing to read 'S Brewer'.

Scott Brewer
Technical Manager

A handwritten signature in black ink, appearing to read 'C Connolly'.

Catherine Connolly
CEO



ML Accessories Ltd. Unit E Chiltern Park, Boscombe Road, Dunstable. Bedfordshire, LU5 4LT

This declaration becomes invalid if technical or operational modifications are introduced without ML Accessories Ltd. written consent.

Supplied By:

(UK) Manufacturer

ML Accessories Ltd, Unit E Chiltern Park, Boscombe Road, Dunstable LU5 4LT,
www.mlaccessories.co.uk

(EU) Authorised Representative

nnuks Holding GmbH, Niederkasseler Lohweg 18,
40547 Düsseldorf, Germany,
Email: eprel@nnuks.com



ML
ACCESSORIES LTD



**UK
CA**

CE

