

SUPPLIED BY:

(UK) MANUFACTURER

ML ACCESSORIES LTD, UNIT E CHILTERN PARK,
BOSCOMBE ROAD, DUNSTABLE LU5 4LT,
WWW.MLACCESSORIES.CO.UK

(EU) AUTHORISED REPRESENTATIVE

SLV LIGHTING GROUP,
DAIMLERSTRASSE 21-23,
52531 ÜBACH-PALENBERG, GERMANY
EMAIL: EPREL@GROUP.SLV.COM

MADE IN CHINA



ML Accessories Limited LU5 4LT
www.mlaccessories.co.uk

AVOCT22_V3



INSTALLATION & MAINTENANCE MANUAL

LWALL1A / LWALL2A / LWALL3A

GENERAL INSTRUCTIONS

These instructions should be read carefully and retained after installation by the end user for future reference and maintenance.

**These instructions should be used to aid installation of the following products:
LWALL1A / LWALL2A / LWALL3A**

SAFETY

- This product must be installed in accordance with the latest edition of the IEE Wiring Regulations (BS7671) and current Building Regulations. If in any doubt, consult a qualified electrician
- Please isolate mains prior to installation or maintenance
- Check the total load on the circuit (including when this luminaire is fitted) does not exceed the rating of the circuit cable, fuse or circuit breaker
- Please note the IP (Ingress Protection) rating of this luminaire when deciding the location for installation
- This product is Class I and must be earthed
- This product series is IP65 rated

INSTALLATION

Note - If this luminaire is being used in conjunction with an external PIR or sensor, please confirm with the manufacturer of the sensors that they are compatible with LED luminaires

- Provide power to the required point of installation (refer to BS7671 for correct cabling methods). Suitable IP rated junction boxes should be used where required
- Round cable should be used for the mains supply. The use of flat cable will cause water ingress to the fitting
- Remove the baseplate from the luminaire by loosening the screws on the side
- Using the baseplate as a template, mark the location for, and drill the fixing holes ensuring not to infringe with any gas/water pipes or electrical cables
- Feed the mains cable through the rubber grommet to retain IP rating, and secure the baseplate to the surface. Rubber washers or sealant should be applied around the screw heads to prevent water ingress (see Fig. 1)

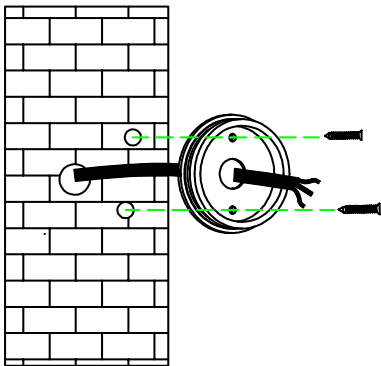


Fig. 1

- Connect the luminaire to the mains supply ensuring the correct polarity is observed: Live (brown), Earth (green/yellow), Neutral (blue) (see Fig. 2)

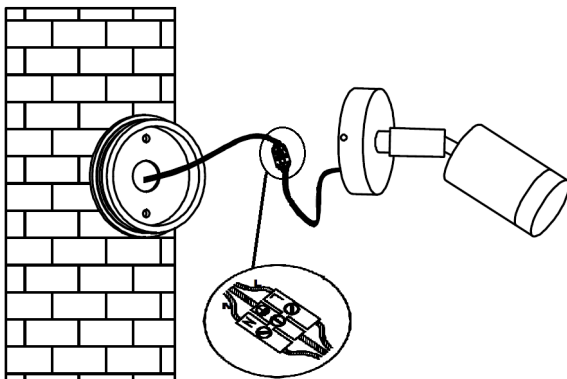


Fig. 2

- Refit the luminaire to the baseplate and tighten
- Switch on and check for correct operation

WARNING

This product must be disconnected from the circuit if subjected to any high voltage or insulation resistance testing. Irreparable damage will occur if this instruction is not followed. This product is not suitable for installation in or near a coastal or marine environment.

GENERAL

This product contains a light source of energy efficiency class E/ to Regulation (EU) No. 2019/2015 and (UK) 2021 No. 1095.

This product contains a non-replaceable LED light source and a non-replaceable control gear.



Clean the external surfaces with a damp cloth using a mild solution of detergent and warm water only, do not use aggressive cleaning products or solvents which may damage the product.

Do not use any source of high-pressure washers to maintain or clean this luminaire.

This product is non-dimmable.

This product should be dismantled for disposal when it reaches the end of its life. Please see website for dismantling instructions.

This product should be recycled in the correct manner when it reaches the end of its life.

Check local authorities for where facilities exist

WARRANTY

This product has a warranty of 2 years from date of purchase. Failure to install this product in accordance with the current edition of the IEE Wiring Regulations (BS7671), improper use, or removal of the batch code will invalidate the warranty. If this product should fail within its warranty period, it should be returned to the place of purchase for a free of charge replacement. ML Accessories does not accept responsibility for any installation costs associated with the replacement product. Your statutory rights are not affected. ML Accessories reserve the right to alter product specification without prior notice.