



INSTALLATION & MAINTENANCE MANUAL

**FLN10 / FLN20 / FLN30 / FLN50 / FLNMIC / FLNPIR**

## GENERAL INSTRUCTIONS

**These instructions should be read carefully and retained after installation by the end user for future reference and maintenance.**

**These instructions should be used to aid installation of the following products:  
FLN10 / FLN20 / FLN30 / FLN50 / FLNMIC / FLNPIR**

## SAFETY

- This product must be installed in accordance with the latest edition of the IEE Wiring Regulations (BS7671) and current Building Regulations. If in any doubt, consult a qualified electrician
- Please isolate mains prior to installation or maintenance
- Check the total load on the circuit (including when this product is fitted) does not exceed the rating of the circuit cable, fuse or circuit breaker
- Please note the IP (Ingress Protection) rating of this product when deciding the location for installation
- Do not overload this accessory or subject it to conditions outside its rating
- The FLNxx fittings are Class I and must be earthed
- This FLNMIC and FLNPIR accessories are Class II double insulated
- This product series is IP65 rated

## INSTALLATION

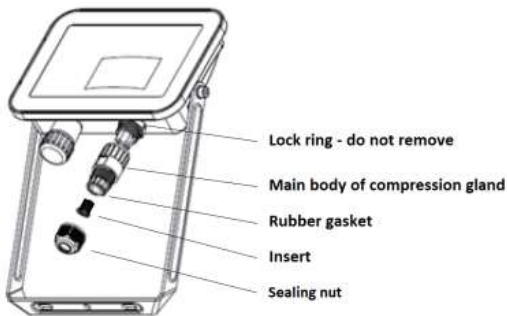
Note - Microwave sensors may not be suitable for all installations, for example enclosed spaces, as they are able to detect movement through non-metallic surfaces like plasterboard and thin doors. Both sensors can be falsely triggered by changes in temperature, therefore should not be installed near sources of heat such as boiler flues.

- Provide power to the required point of installation (refer to BS7671 for correct cabling methods). Suitable IP rated junction boxes should be used where required
- Round cable should be used for the mains supply, with an outer diameter of 5-7.4mm and a CSA of up to 1.5mm<sup>2</sup>. The use of flat cable will cause water ingress to the fitting. A drip loop should be left on the incoming cable
- Using the bracket as a template, mark the location for, and drill the fixing holes ensuring not to infringe with any gas/water pipes or electrical cables. This can be done without removing the bracket from the fitting (see Fig. 1)



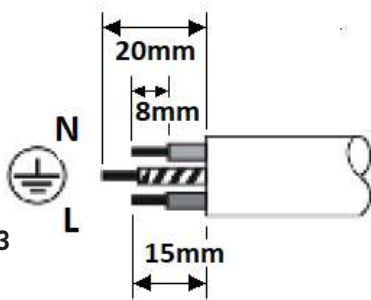
**Fig. 1**

- Fix the luminaire to a suitable solid surface using the wall plugs and screws provided
- Tilt so the cable entry points are accessible
- Unscrew the sealing nut from the compression gland (see Fig. 2) and fit it over the supply cable



**Fig. 2**

- Unscrew the main body of the compression gland from the fitting ensuring that the hexagonal lock ring is not dislodged (see Fig. 2)
- Remove the protective insert from the compression gland, leaving the rubber gasket in place (see Fig. 2), and pass the supply cable through the compression gland
- Prepare the supply cable as shown by stripping back the outer sheath and basic insulation to the correct length (see Fig. 3)

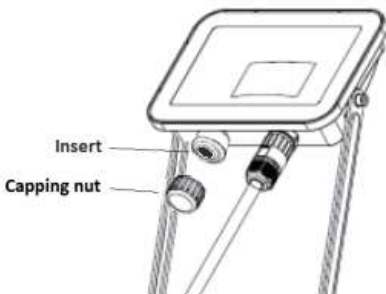


**Fig. 3**

- Connect the supply cable ensuring the correct polarity is observed: L - Live (brown), E - Earth (green/yellow), N - Neutral (blue). Please be aware that undue pulling or rotating of the termination block will cause damage to the fitting
- Tighten the compression gland and sealing nut ensuring a tight seal is made. Do not overtighten
- Tilt the fitting to the desired angle and tighten the nuts on the side
- Switch on and check for correct operation

## PIR / MICROWAVE SENSOR ACCESSORY

- Isolate the mains supply to the fitting
- Remove the capping nut, and using pliers pull out the protective insert from the fitting (see Fig. 4)



**Fig. 4**

- Align the pins on the sensor, push onto the fitting, and tighten ensuring a good seal is made. Do not overtighten
- The rotation and tilt of both sensors can be adjusted once fitted. For the PIR accessory, please ensure it is positioned with the adjustment dials at the bottom
- With the LUX set to Daytime, and the TIME set to the minimum, perform a walk test to set the SENS setting so the required detection area is covered. Then set the TIME and LUX controls to the desired settings:

Setting	FLNMIC	FLNPIR
SENS	Minimum: up to 4m / Maximum: up to 12m	Minimum: up to 5m / Maximum: up to 10m
LUX	Minimum: 3 lux / Maximum: 2000 lux	Minimum: 10 lux / Maximum: 2000 lux
TIME	Minimum: 10 sec / Maximum: 15 min	Minimum: 10 sec / Maximum: 7 min

### Override Function (FLNPIR only)

- Switch the mains supply to the fitting OFF-ON-OFF-ON within three seconds. The light flashes ON-OFF-ON to indicate that it is in override mode. To return to automatic mode, switch the mains supply to the fitting off for at least 10 seconds, then switch on again
- The FLNMIC has no override function

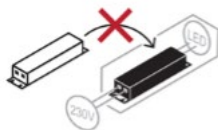
## WARNING

This product must be disconnected from the circuit if subjected to any high voltage or insulation resistance testing. Irreparable damage will occur if this instruction is not followed.

## GENERAL

This product contains a light source of energy efficiency class D (FLN10, FLN20) / E (FLN30, FLN50) to Regulation (EU) No. 2019/2015 and (UK) 2021 No. 1095.

This product contains a non-replaceable LED light source and a non-replaceable control gear.



Clean the external surfaces with a damp cloth using a mild solution of detergent and warm water only, do not use aggressive cleaning products or solvents which may damage the product.

Do not use any source of high-pressure washers to maintain or clean this luminaire.

This product is non-dimmable.

This product should be dismantled for disposal when it reaches the end of its life. Please see website for dismantling instructions.

This product should be recycled in the correct manner when it reaches the end of its life.

Check local authorities for where facilities exist.



## WARRANTY

This product has a warranty of 3 years from date of purchase. Failure to install this product in accordance with the current edition of the IEE Wiring Regulations (BS7671), improper use, or removal of the batch code will invalidate the warranty. If this product should fail within its warranty period, it should be returned to the place of purchase for a free of charge replacement. ML Accessories does not accept responsibility for any installation costs associated with the replacement product. Your statutory rights are not affected. ML Accessories reserve the right to alter product specification without prior notice.



**SUPPLIED BY:**

**(UK) MANUFACTURER ML ACCESSORIES LTD,**  
UNIT E CHILTERN PARK, BOSCOMBE ROAD,  
DUNSTABLE LU5 4LT, WWW.MLACCESSORIES.  
CO.UK



**ML Accessories Limited LU5 4LT**  
[www.mlaccessories.co.uk](http://www.mlaccessories.co.uk)

**(EU) AUTHORISED REPRESENTATIVE**  
**SLV LIGHTING GROUP,**  
DAIMLERSTRASSE 21-23,  
52531 ÜBACH-PALENBERG, GERMANY  
**EMAIL:** EPREL@GROUP.SLV.COM

DCJUL22\_V4



**Manufacturers Declaration of Conformity  
For ML Accessories (Knightsbridge)  
Electrical products in accordance with UKCA marking**

ML Accessories Ltd. declare that all products have been designed, manufactured, and tested in accordance with the requirements of the relevant legislation

**UKCA marking legislation**

UK SI 2016 No. 1091	Electro Magnetic Compatibility Regulations 2016
UK SI 2016 No. 1101	The Electrical Equipment (Safety) Regulations 2016
UK SI 2012 No. 3032	Restriction of the use of Certain Hazardous Substances in Electrical and Electronic Equipment Regulations 2012
UK SI 2017 No. 1206	Radio Equipment regulations 2017
UK SI 2021 No. 1095	The Ecodesign for Energy-Related Products and Energy Information (Lighting Products) Regulations 2021

**Included Legislation**

UK SI 2008 No. 2852	UK REACH
UK SI 2013 No. 3113	WEEE

**Safety Standards**

Full individual declarations and specific safety standards applicable to relevant product series can be found on our website [www.mlaccessories.co.uk](http://www.mlaccessories.co.uk)

We hereby declare that the equipment named above has been designed to comply with the relevant sections of the above referenced specifications. The products comply with all essential requirements of the directives.

**Scott Brewer**  
Head of Technical

**Catherine Connolly**  
CEO



ML Accessories Ltd. Unit E Chiltern Park, Boscombe Road, Dunstable. Bedfordshire, LU5 4LT



Manufacturers Declaration of Conformity  
For ML Accessories (Knightsbridge)  
Electrical products in accordance with CE marking

ML Accessories Ltd. Declare that all products have been designed, manufactured, and tested in accordance with the requirements of the relevant legislation

CE marking legislation

In Accordance with the following Directives:

2014/35/EU	Low Voltage Directive
2014/30/EU	EMC Directive
2014/53/EU	Radio Equipment Directive

Including Legislation

1907/2006	REACH
2015/863	RoHS
2021/341	ERP

Safety Standards

Full individual declarations and specific safety standards applicable to relevant product series can be found on our website [www.mlaccessories.co.uk](http://www.mlaccessories.co.uk)

We hereby declare that the equipment named above has been designed to comply with the relevant sections of the above referenced specifications. The product complies with all essential requirements of the directives.

Scott Brewer  
Technical Manager

Catherine Connolly  
CEO



ML Accessories Ltd. Unit E Chiltern Park, Boscombe Road, Dunstable. Bedfordshire, LU5 4LT

This declaration becomes invalid if technical or operational modifications are introduced without ML Accessories Ltd. written consent.