

## INSTALLATION & MAINTENANCE MANUAL LEDFR8



## GENERAL INSTRUCTIONS

These instructions should be read carefully and retained after installation by the end user for future reference and maintenance.

These instructions should be used to aid installation of the following product:  
**LEDFR8**

## SAFETY

- Installation of this LED controller should only be carried out by a qualified electrician or competent person to the latest Building and current IEE Wiring Regulations (BS7671)
- Please isolate mains prior to installation/maintenance
- Check the total load on the circuit (including when this product is fitted) does not exceed the rating of the circuit cable, fuse or circuit breaker
- Please note the IP (Ingress of Protection) rating of this product when deciding the location for installation
- This product is Class III
- This product is IP20 rated

## INSTALLATION

- Provide power to the required point of installation
- Position controller inbetween LED driver and LED Flex
- Terminate the secondary side of the driver to the input side of LEDFR8 ensuring correct polarity is observed [(red +) (black -)]
- Terminate the 12V/24V CCT LED Flex to the secondary side of the controller ensuring correct polarity is observed (see Fig 1)
- When using IP20 CCT LED flex, terminate cables to LEDFR8 (red to V+) (yellow to W) (white to C)
- When using IP68 CCT LED flex, terminate cables to LEDFR8 (red to V+) (blue to W) (clear to C)

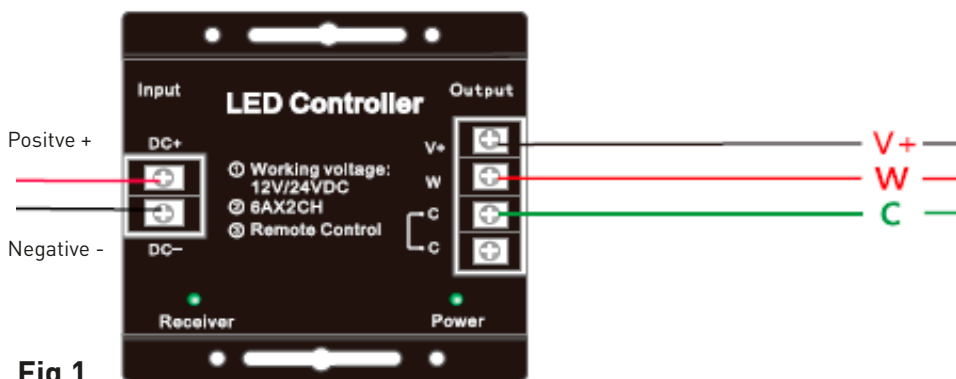


Fig 1

- Ensure the LED Flex does not exceed the maximum wattage of the LEDFR8 controller  
**12V CCT LED Flex – up to 144W**  
**24V CCT LED Flex – up to 288W**  
**Please note:** this controller contains 2 channels at a max. of 6A each
- Switch on power supply and check for correct operation  
**NOTE** - LED driver voltage is dependent on the LED Flex requirement

## REMOTE INTERFACE



On/off key



button control: warm white or cool white



adjustable ring



Brightness button

**SUPPLIED WITH**

- 1 x control unit
- 1 x remote control

**Note** – Remote requires 3 x AAA batteries (not included)

## WARNING

This product must be disconnected from the circuit if it subjected to any high voltage or insulation resistance testing. Irreparable damage will occur if this instruction is not followed.

## GENERAL

The unit should be recycled in the correct manner when it reaches the end of its life. Check local authorities for where facilities exist.

Clean with a soft dry cloth only, do not use aggressive cleaning products or solvents which may damage the product.

## WARRANTY

This product has a warranty of 1 year from date of purchase. Failure to install this product in accordance with the current edition of the IEE Wiring Regulations, improper use, or removal of the batch codes will invalidate the warranty. If this product should fail within its warranty period it should be returned to the place of purchase for a replacement. ML Accessories does not accept responsibility for any installation costs associated with the replacement product. Your statutory rights are not affected. ML Accessories reserve the right to alter product specification without prior notice.



**ML Accessories Limited**

**LU5 5TA**

**[www.mlaccessories.co.uk](http://www.mlaccessories.co.uk)**

**DEJUL18\_V2**