

INSTALLATION & MAINTENANCE MANUAL 0S001 series



GENERAL INSTRUCTIONS

These instructions should be read carefully and retained after installation by the end user for future reference and maintenance.

These instructions should be used to aid installation of the following products:

OS001 / OS001B

SAFETY

- Installation of this product should only be carried out by a qualified electrician or competent person to the latest Building and current IEE Wiring Regulations (BS7671)
- Please isolate mains prior to installation/maintenance
- Check the total load on the circuit (including when this product and load is fitted) does not exceed the rating of the circuit cable, fuse or circuit breaker
- Please note the IP (Ingress of Protection) rating of this product when deciding the location for installation
- This unit is rated at IP55
- This product is Class II double insulated
- This product can be connected to slave units – product code OS003

INSTALLATION

Note: Avoid mounting this product in direct sunlight and close to luminaires as this will cause sensing issues

- Provide power to the required point of installation

Horizontal and vertical surface mounting:

- Using a slotted screwdriver, push on the base release tabs and pull the sensor away from the base (see Fig 1)

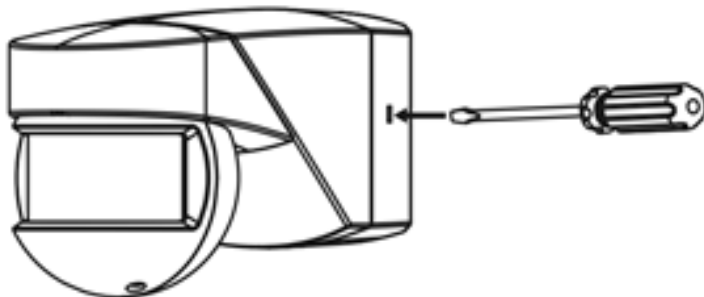


Fig 1

- Using the base as a template, secure the base to the desired surface using the fixings supplied ensuring not to infringe with any gas/water pipes or electrical cables (see Fig 2)

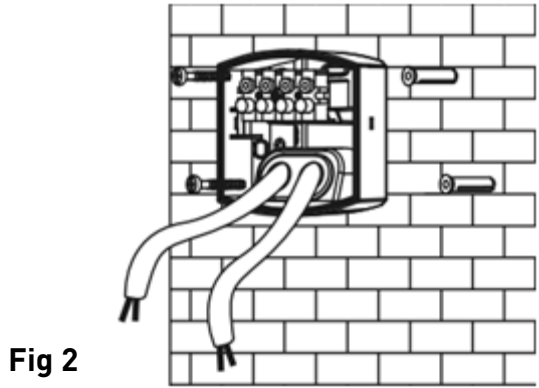


Fig 2

- Ensuring correct polarity is observed, carefully wire as shown in Fig 3
- **Note:** earth point is for continuity only and is non functional

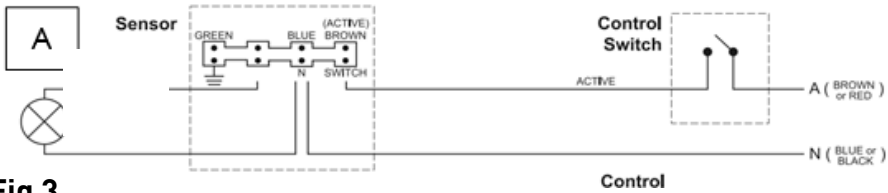
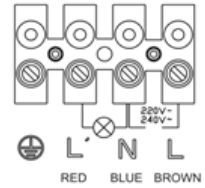


Fig 3

- Push the sensor head back onto the base until secured into position (see Fig 4)

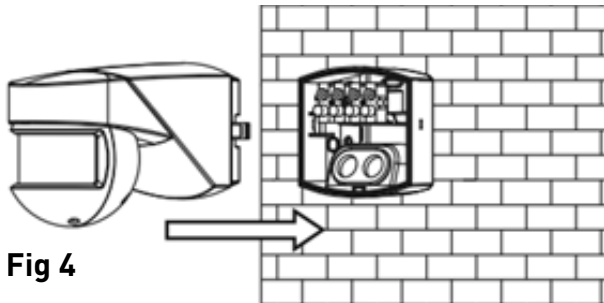


Fig 4

- Switch on power supply and check for correct operation

Internal or external corner mounting:

Note: sensor can be corner-mounted by removing part of the base as shown (breakable areas)

- Screw the base onto a suitable surface and insert the installation cables through the entry holes/grommets in the back of the base and carefully wire as shown in Fig 3, ensuring the IP rating of the unit is maintained (silicone sealant may need to be applied between the sensor and mounting surface)
- Secure the sensor head onto the base (see Fig 5)

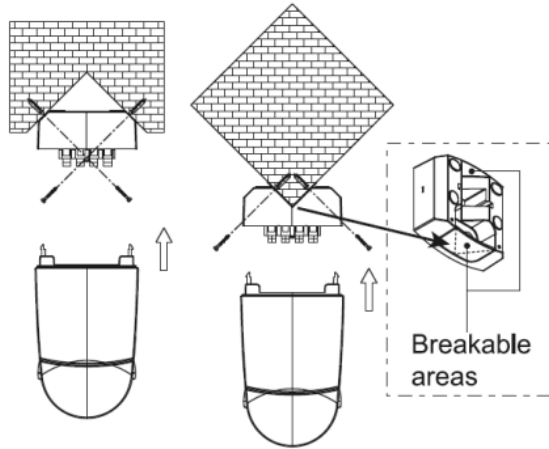
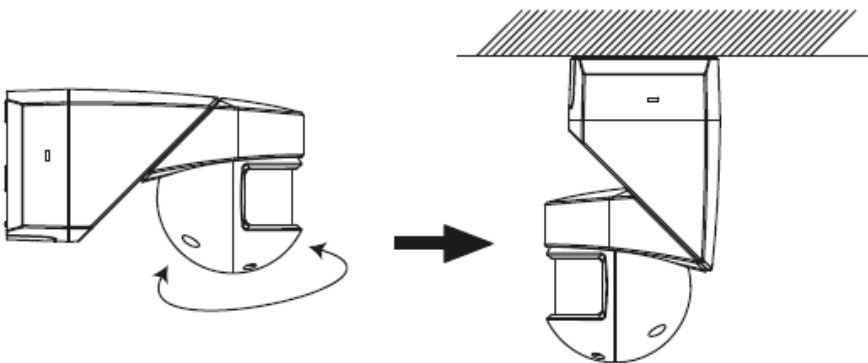


Fig 5

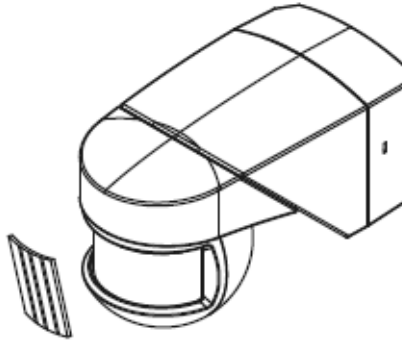
Ceiling mounting:

- For ceiling mounting follow instructions for horizontal/vertical mounting (see Fig 2) and angle head accordingly



BLANKING INSERTS

- Blanking inserts are supplied that can be cut and attached to the lens to blank out areas of interference as required i.e. heat sources, public pathways etc.



TEST MODE

For initial setup of the sensor, turn the time control fully anti-clockwise to the minimum position and the lux control fully clockwise to the maximum position

After the sensor has been switched on it will take up to 30 seconds to enter into automatic mode

Once in automatic mode, walk test the PIR by moving in front of the sensor at various positions of the required field of view, checking that the luminaire is activated at each point

After the initial setup and walk test have been completed, adjust the time and lux setting to the desired levels

SENSOR SETUP

Note: When making adjustments to the PIR settings ensure the sensor is powered down

Time control: 3 seconds – 30 minutes. Turn the dial clockwise to increase the length of time the luminaire will remain on

Lux control: 2 lux – full daylight. This setting will adjust the ambient light level the sensor will operate at. If you require the luminaire to operate in brighter conditions turn the dial clockwise (see Fig 6)

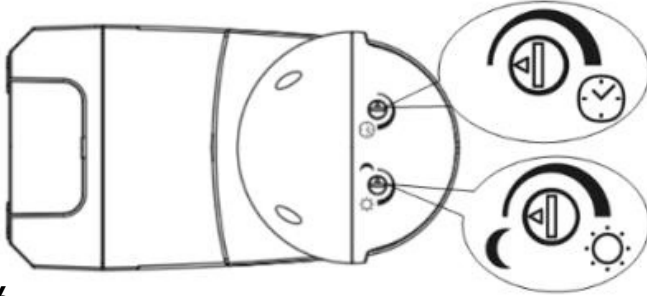


Fig 6

LOAD

Do not exceed the maximum load requirements as listed below:

Incandescent - 2000W

Fluorescent - 1000W

LED - 225W

MANUAL OVERRIDE

When in auto mode the product will operate to the settings of the lux and time controls

The unit can be manually overridden by switching the power off and on twice within 3 seconds, this will turn the luminaire on permanently. After 6 hours the unit will revert back to auto mode or the unit can be put back into auto mode at any time by switching the power off and on once

WARNING

This product must be disconnected from the circuit if subjected to any high voltage or insulation resistance testing. Irreparable damage will occur if this instruction is not followed

GENERAL

The product should be recycled in the correct manner when it reaches the end of its life. Check local authorities for where facilities exist. Clean with a soft dry cloth only, do not use other materials or solutions which may damage the product

WARRANTY

This product has a warranty of 1 year from date of purchase. Failure to install in accordance with the current edition of the IEE Wiring Regulations, improper use, or removal of the batch codes will invalidate the warranty. If this product should fail within its warranty period it should be returned to the place of purchase for a free of charge replacement. ML Accessories does not accept responsibility for any installation costs associated with the replacement product. Your statutory rights are not affected. ML Accessories reserve the right to alter product specification without prior notice

Knightsbridge[®]

the mark of quality



ML Accessories Limited
LU5 5TA
www.mlaccessories.co.uk

AKJUN18_V2