



INSTALLATION & MAINTENANCE MANUAL

**OLG1W**

## GENERAL INSTRUCTIONS

**These instructions should be read carefully and retained after installation by the end user for future reference and maintenance.**

**These instructions should be used to aid installation of the following product:  
OLG1W**

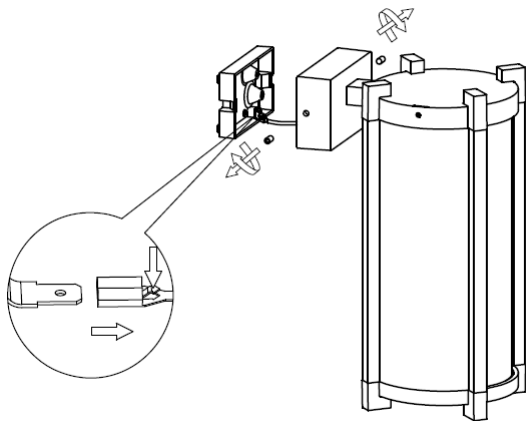
## SAFETY

- This product must be installed in accordance with the latest edition of the IEE Wiring Regulations (BS7671) and current Building Regulations. If in any doubt, consult a qualified electrician
- Please isolate mains prior to installation or maintenance
- Check the total load on the circuit (including when this luminaire is fitted) does not exceed the rating of the circuit cable, fuse or circuit breaker
- Please note the IP (Ingress Protection) rating of this luminaire when deciding the location for installation
- This product is Class I and must be earthed
- This product series is IP54 rated

## INSTALLATION

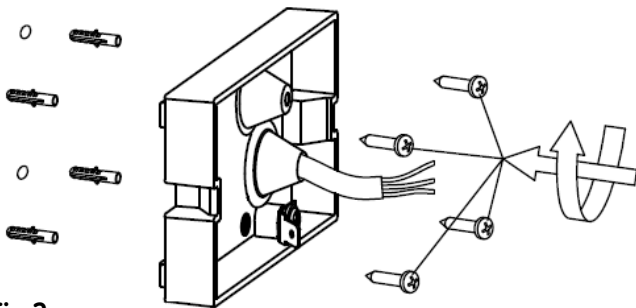
**Note:** This product is not suitable for installation in or near a coastal or marine environment.

- Provide power to the required point of installation (refer to BS7671 for correct cabling methods). Suitable IP rated junction boxes should be used where required
- Remove the backplate from the luminaire by loosening the screws on the base and disconnect the earth fly-lead (see Fig. 1)



**Fig.1**

- Using the backplate as a template, mark the location for, and drill the fixing holes ensuring not to infringe with any gas / water pipes or electrical cables
- Feed the cable through the grommet and fix the backplate to the surface (see Fig. 2)



**Fig.2**

- Connect the luminaire to the mains supply ensuring the correct polarity is observed:  
L - Live (brown), E - Earth (green/yellow), N - Neutral (blue)
- Refit the luminaire to the backplate and reconnect the earth fly-lead
- Insert a suitable E27 GLS lamp (max. 15W)

**Note:** due to the rubber seal around the lamp holder, the lamp might be difficult to insert. If the luminaire is powered on and the lamp doesn't turn on, it may be because the lamp hasn't been inserted fully

- Switch on and check for correct operation

## WARNING

This luminaire must be disconnected from the circuit if subjected to any high voltage or insulation resistance testing. Irreparable damage will occur if this instruction is not followed.

## GENERAL

Clean the external surfaces with a damp cloth using a mild solution of detergent and warm water only, do not use aggressive cleaning products or solvents which may damage the product.

Do not use any source of high-pressure washers to maintain or clean this luminaire.

This product is dimmable dependent on lamp type

This product should be recycled in the correct manner when it reaches the end of its life.

Check local authorities for where facilities exist.

## WARRANTY

This product has a warranty of 2 years from date of purchase. Failure to install this product in accordance with the current edition of the IEE Wiring Regulations (BS7671), improper use, or removal of the batch code will invalidate the warranty. If this product should fail within its warranty period, it should be returned to the place of purchase for a free of charge replacement. ML Accessories does not accept responsibility for any installation costs associated with the replacement product. Your statutory rights are not affected. ML Accessories reserve the right to alter product specification without prior notice.



**ML**  
ACCESSORIES LTD



**UK  
CA** **CE**



136

