



INSTALLATION & MAINTENANCE MANUAL

VFR7EM

GENERAL INSTRUCTIONS

These instructions should be read carefully and retained after installation by the end user for future reference and maintenance.

These instructions should be used to aid installation of the following product:

VFR7EM

SAFETY

- This product must be installed in accordance with the latest edition of the IEE Wiring Regulations (BS7671) and current Building Regulations. If in any doubt, consult a qualified electrician
- Please isolate mains prior to installation or maintenance
- Check the total load on the circuit (including when this accessory is fitted) does not exceed the rating of the circuit cable, fuse or circuit breaker
- Please note the IP (Ingress Protection) rating of this product when deciding the location for installation
- Allow 50mm above and around the product for air dissipation (do not cover with insulation)
- Do not overload this accessory or subject it to conditions outside its rating
- This product is Class II double insulated
- This product is IP20 rated

INSTALLATION

Note - this product is specifically manufactured to convert the Knightsbridge LED Downlights VFRCOBxx, VFR8xxx and VFRIC8xx to 3-hour emergency fittings. No guarantee can be given that it is compatible with any other manufacturer's fittings. To use with the VFRIC8xx range, an additional pair of connector leads ICEMC is required.

- Provide power to the required point of installation
- Cut a suitable hole in the mounting surface as per the cut-out details of the downlight to be used, ensuring not to infringe with any joists, gas/water pipes or electrical cables. This emergency kit requires a minimum 60mm cut-out
- Wire the Permanent Live and Neutral to the VFR7EM Emergency Kit (see Fig. 1)

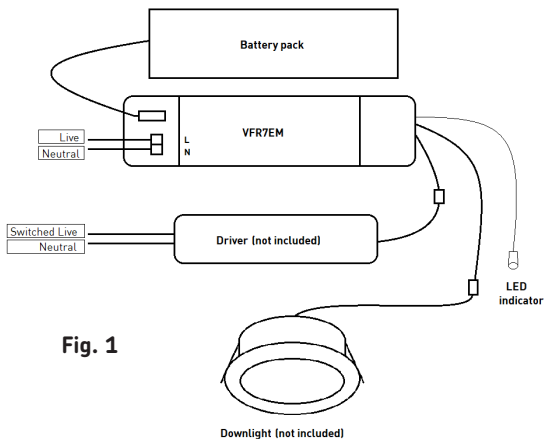


Fig. 1

- Connect the plug-in connectors from the Emergency Kit as follows:
 - connector labelled "DRIVER OUTPUT" to the LED downlight
 - connector labelled "DRIVER INPUT" to the LED driver
- If using this kit with the VFRIC8xx range, remove the terminal cover on the end of the emergency kit and replace the two plug-in leads with the ICEMC leads (not included): brown (+), blue (-) (see Fig. 2). Replace the terminal cover and plug these into the downlight and driver as above

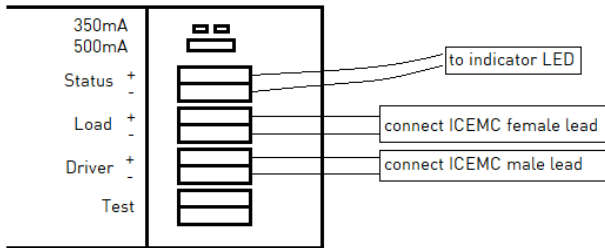


Fig. 2

- If non-maintained operation is required, the Switched Live and Neutral feed to the LED driver can simply be omitted
- Connect the battery pack to the Emergency Kit ensuring correct polarity is observed, red (+), black (-)
- Refit the terminal covers and insert into ceiling making sure the inverter and battery are not in contact with the downlight, and are not preventing the downlight from dissipating heat
- A choice of two LED indicator holders are provided with this accessory. To install, mark the location of the LED indicator holder and drill a 6.5mm/18mm hole ensuring not to infringe with any joists, gas/water pipes or electrical cables. Insert the LED indicator into the holder and push into the ceiling

Note - the LED indicator should be visible

- Switch on and check for correct operation, ensuring the green LED indicator is illuminated
- On commissioning the installation a full 3 hour duration check should be completed, a minimum charge period of 24 hours is required before initiating this test
- If the batteries have been left in a discharged state for an extended period, we recommend that one or more charge and discharge cycles are completed which should help to restore the battery capacity

WARNING

This product must be disconnected from the circuit if subjected to any high voltage or insulation resistance testing. Irreparable damage will occur if this instruction is not followed.

GENERAL

This product should be recycled in the correct manner when it reaches the end of its life. Check local authorities for where facilities exist.

The batteries in this luminaire are Nickel Cadmium and must be disposed of correctly. Please contact the local authorities for the disposal of this toxic waste.

Clean with a soft dry cloth only, do not use aggressive cleaning products or solvents which may damage the product.

The maximum constant ambient temperature at the point of installation should not exceed 50°C

The downlighters used with this emergency kit can be dimmed in the usual way.

WARRANTY

This product has a warranty of 3 years (excluding battery) from date of purchase. Failure to install this product in accordance with the current edition of the IEE Wiring Regulations (BS7671), improper use, or removal of the batch code will invalidate the warranty. If this product should fail within its warranty period, it should be returned to the place of purchase for a free of charge replacement. ML Accessories does not accept responsibility for any installation costs associated with the replacement product. Your statutory rights are not affected. ML Accessories reserve the right to alter product specification without prior notice.

TESTING FOR EMERGENCY LUMINAIRES

Recommended routine test procedure in accordance with BS5266

- Daily check – check LED charge indicator is illuminated
- Monthly functional test - simulate a mains supply failure for approx. 30 seconds by operation of key switch or switching off circuit breaker. Ensure normal supply is restored after test and ensure charge indicator is illuminated
- Annual three hour duration test - simulate a mains supply failure for three hour continuous test by operation of key switch or switching off circuit breaker. Ensure normal supply is restored after test and ensure charge indicator is illuminated
- If the luminaire fails any of the above tests, please contact a qualified electrician. See below for test record sheet

TEST RECORD SHEET

INITIAL COMMISSIONING 3 HOUR TEST		SIGNED				DATE					
		FIRST YEAR		SECOND YEAR		THIRD YEAR		FOURTH YEAR		FIFTH YEAR	
MONTH	TEST	SIGNED	DATE	SIGNED	DATE	SIGNED	DATE	SIGNED	DATE	SIGNED	DATE
1	FUNCTIONAL										
2	FUNCTIONAL										
3	FUNCTIONAL										
4	FUNCTIONAL										
5	FUNCTIONAL										
6	FUNCTIONAL										
7	FUNCTIONAL										
8	FUNCTIONAL										
9	FUNCTIONAL										
10	FUNCTIONAL										
11	FUNCTIONAL										
12	3 HOUR										

Installed by:

Installation date:

**INTERNATIONAL
CONTACT DETAILS**



**230V
50Hz**



ML
ACCESSORIES LTD



**UK
CA** **CE**



54

ML Accessories Limited LU5 4LT
www.mlaccessories.co.uk