



INSTALLATION & MAINTENANCE MANUAL

LWBPIR

GENERAL INSTRUCTIONS

These instructions should be read carefully and retained after installation by the end user for future reference and maintenance.

**These instructions should be used to aid installation of the following product:
LWBPIR**

SAFETY

- This product must be installed in accordance with the latest edition of the IEE Wiring Regulations (BS7671) and current Building Regulations. If in any doubt, consult a qualified electrician
- Please isolate mains prior to installation or maintenance
- Check the total load on the circuit (including when this product is fitted) does not exceed the rating of the circuit cable, fuse or circuit breaker
- Please note the IP (Ingress Protection) rating of this product when deciding the location for installation
- Do not overload this accessory or subject it to conditions outside its rating
- This product is Class II double insulated
- This product is IP20 rated

INSTALLATION

This product is designed for use with LWB range of luminaires

- Remove a 20mm knockout from one end of the luminaire. If using the emergency kit LWBEMKIT, it is recommended that the sensor be installed on the opposite end of the fitting in order not to obscure the emergency LED indicator
- Feed the sensor cable through the knockout and secure using the lockring provided
- Ensuring correct polarity is observed, carefully wire as shown in Fig. 1, using the 2-pole clamp connector provided

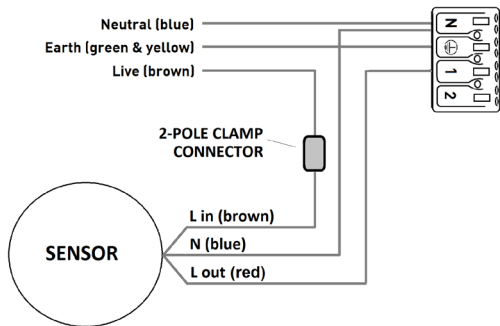


Fig. 1

- This product is compatible with the emergency kit LWBEMKIT, but not compatible with an external 1-10V dimmer
- This product is supplied with a choice of two lenses which alter the maximum detection zone radius (see Fig. 2)

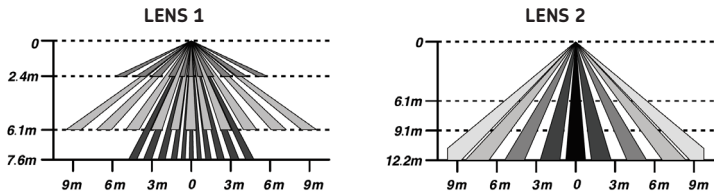


Fig. 2


distances are approximate

- See below for PIR sensor settings
- Switch on and check for correct operation

SENSOR SET-UP


Sensitivity

The detection area can be reduced by selecting the DIP switch layout below

	1	2	3	SENSITIVITY
	-	-	-	20%
	-	On	On	50%
	On	-	On	75%
	On	On	On	100%


Time

This is the time the luminaire will remain on after no motion is detected

	4	5	6	7	TIME
	-	-	-	-	10 sec
	-	-	-	On	1 min
	-	On	-	-	5 min
	-	On	-	On	10 min
	On	-	-	On	30 min

Light

This is the ambient light level at which the luminaire is required to operate. If set to "Disable", the luminaire will operate when motion is detected regardless of the ambient light level

	8	9	10	LIGHT
	-	-	-	Disable
	-	-	On	10 lux
	-	On	On	50 lux
	On	On	-	300 lux

WARNING

This product must be disconnected from the circuit if subjected to any high voltage or insulation resistance testing. Irreparable damage will occur if this instruction is not followed.

GENERAL

This product should be recycled in the correct manner when it reaches the end of its life. Check local authorities for where facilities exist.

Clean with a soft dry cloth only, do not use aggressive cleaning products or solvents which may damage the product.

WARRANTY

This product has a warranty of 5 years from date of purchase. Failure to install this product in accordance with the current edition of the IEE Wiring Regulations (BS7671), improper use, or removal of the batch code will invalidate the warranty. If this product should fail within its warranty period, it should be returned to the place of purchase for a free of charge replacement. ML Accessories does not accept responsibility for any installation costs associated with the replacement product. Your statutory rights are not affected. ML Accessories reserve the right to alter product specification without prior notice.



ML
ACCESSORIES LTD



CE **UK**
CA



122



DCAPR21_V1