

INSTALLATION & MAINTENANCE MANUAL

SKR008 / SKR009A

GENERAL INSTRUCTIONS

These instructions should be read carefully and retained after installation by the end user for future reference and maintenance.

**These instructions should be used to aid installation of the following products:
SKR008 / SKR009A**

SAFETY

- This product must be installed in accordance with the latest edition of the IEE Wiring Regulations (BS7671) and current Building Regulations. If in any doubt, consult a qualified electrician
- Please isolate mains prior to installation or maintenance
- Check the total load on the circuit (including when this product is fitted) does not exceed the rating of the circuit cable, fuse or circuit breaker
- Please note the IP (Ingress Protection) rating of this product when deciding the location for installation
- Do not overload this accessory or subject it to conditions outside its rating
- This product is Class I and must be earthed
- This product is IP20 rated

INSTALLATION

- Provide power to the required point of installation (refer to BS7671 for correct cabling methods)
- Locate a suitable place to mount the product
- Remove the screws on the front cover using a slotted screwdriver (see Fig. 1)

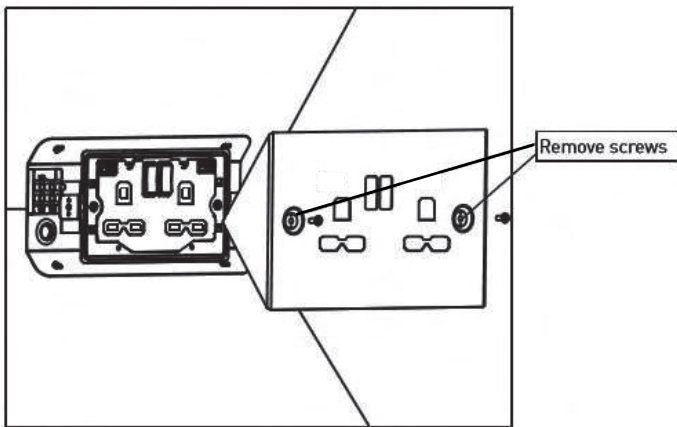


Fig. 1

- Mark the location of the fixing holes and drill the holes ensuring not to infringe with any gas/water pipes or electrical cables (see Fig. 2)

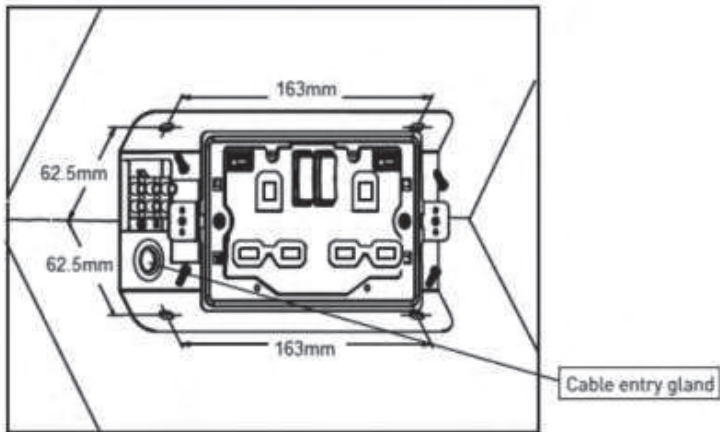


Fig. 2

- Feed the mains cable into the unit and secure the base to the surface
- Wire as shown in Fig. 3 ensuring the correct polarity is observed: L - Live (brown), E - Earth (green/yellow), N - Neutral (blue)



Fig. 3

- An earth connection must be made to the earth terminal of the socket. Use green/yellow sleeving on earth conductors that are not insulated.
- Check all electrical connections are secure with no loose strands of cable
- Attach the front cover plate
- Screw in both front cover screws
- Fit screw covers
- Switch on power supply and check for correct operation

WARNING

This product must be disconnected from the circuit if subjected to any high voltage or insulation resistance testing. Irreparable damage will occur if this instruction is not followed.

GENERAL

This product should be recycled in the correct manner when it reaches the end of its life. Check local authorities for where facilities exist.
Clean with a soft dry cloth, do not use any cleaning products or solvents which may damage the product.

WARRANTY

This product has a warranty of 1 year from date of purchase. Failure to install this product in accordance with the current edition of the IEE Wiring Regulations (BS7671), improper use, or removal of the batch code will invalidate the warranty. If this product should fail within its warranty period it should be returned to the place of purchase for a free of charge replacement. ML Accessories does not accept responsibility for any installation costs associated with the replacement product. Your statutory rights are not affected. ML Accessories reserve the right to alter product specification without prior notice..



ML
ACCESSORIES LTD



CE **UK**
CA



11



Made in China

AKSEPT20_V3