

INSTALLATION & MAINTENANCE MANUAL

**LPAN30 / LPANRC / LPANS / LPANKIT**

## GENERAL INSTRUCTIONS

**These instructions should be read carefully and retained after installation by the end-user for future reference and maintenance.**

**These instructions should be used to aid the installation of the following products: LPAN30 / LPANRC / LPANS / LPANKIT**

## SAFETY

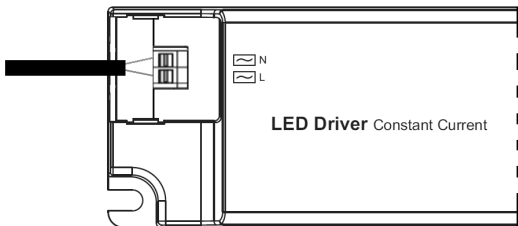
- This product must be installed in accordance with the latest edition of the IEE Wiring Regulations (BS7671) and current Building Regulations. If in any doubt, consult a qualified electrician
- Please isolate mains prior to installation or maintenance
- Check the total load on the circuit (including when this luminaire is fitted) does not exceed the rating of the circuit cable, fuse or circuit breaker
- Please note the IP (Ingress Protection) rating of this luminaire when deciding the location for installation
- This product is for indoor use only
- Allow 50mm above and around the fitting for air dissipation (do not cover the fitting with insulation)
- This product is Class II double insulated
- This product is IP20 rated

## INSTALLATION

Note - If this luminaire is being used in conjunction with an external PIR or sensor, please confirm with the manufacturer of the sensors that they are compatible with LED luminaires

### Recessed installation into a grid ceiling

- Remove a ceiling tile
- Provide power to the required point of installation
- Remove the terminal cover on the primary side of the driver with the aid of a slotted screwdriver
- Connect the luminaire to the mains supply ensuring the correct polarity is observed (see Fig. 1): L - Live (Brown) and N - Neutral (Blue)



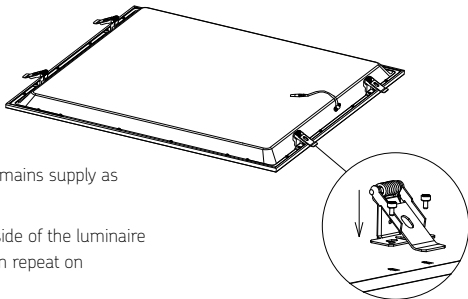
**Fig. 1**

- Refit the terminal cover
- Insert the panel into the ceiling and ensure it is firmly fixed
- Switch on and check for correct operation

### **Recessed installation into a plasterboard ceiling using LPANRC**

- Cut a 570x570mm hole in the mounting surface ensuring not to infringe with any joists, gas/water pipes or electrical cables
- Add the 4 x spring clips (LPANRC, sold separately) to the panel (see Fig. 2)

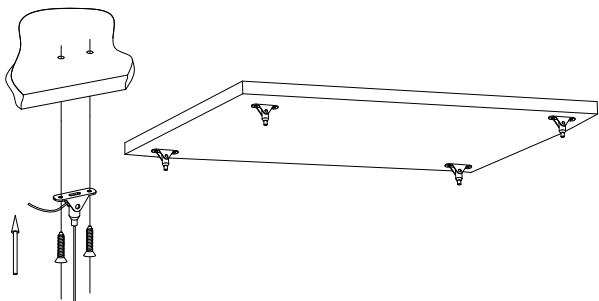
**Fig. 2**



- Connect the luminaire to the mains supply as detailed above
- Lift both spring clips on one side of the luminaire and push into the ceiling, then repeat on the other side
- Switch on and check for correct operation

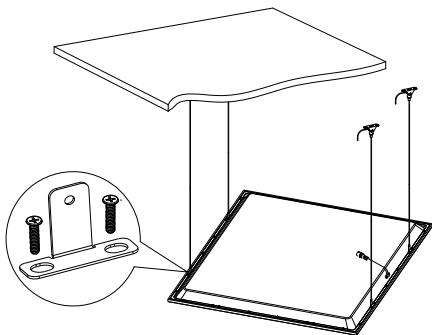
### **Suspended installation using LPANS**

- Using the anchors of the suspension kit (LPANS, sold separately) as a template, mark the location for, and drill the fixing holes ensuring not to infringe with any gas/water pipes or electrical cables. Fix the anchors to the ceiling (see Fig.3)



**Fig. 3**

- Add the 4 x brackets to the panel (see Fig. 4) and adjust the length of the steel wires

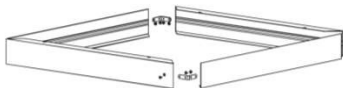


**Fig. 4**

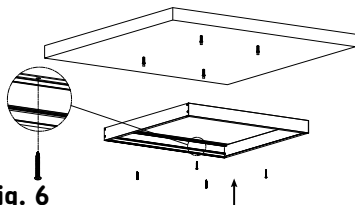
- Connect the luminaire to the mains supply as detailed above
- Switch on and check for correct operation

## Surface-mounted installation using LPANKIT

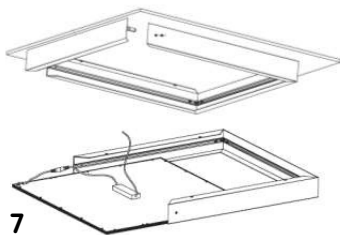
- Assemble the surface mounted frame (LPANKIT, sold separately) with the screws and corner brackets provided (see Fig. 5)



**Fig. 5**



**Fig. 6**



**Fig. 7**

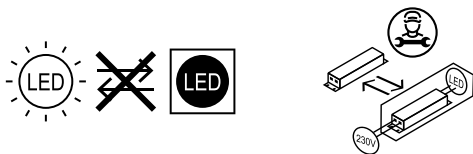
- Using the frame as a template, mark the location for, and drill the fixing holes ensuring not to infringe with any gas/water pipes or electrical cables (see Fig. 6)
- Remove one side of the frame and insert the panel (see Fig. 7)
- Connect the luminaire to the mains supply as detailed above
- Reattach the side of the frame
- Switch on and check for correct operation

## WARNING

This luminaire must be disconnected from the circuit if subjected to any high voltage or insulation resistance testing. Irreparable damage will occur if this instruction is not followed.

## GENERAL

- This product contains a light source of energy efficiency class D to Regulation (EU) No. 2019/2015.
- This product contains a non-replaceable LED light source and a control gear which can be replaced by a professional.



- Clean with a soft dry cloth only, do not use aggressive cleaning products or solvents which may damage the product.
- This product is dimmable when used with the LPAND dimmable driver, sold separately.
- This product should be dismantled for disposal when it reaches the end of its life. Please see website for dismantling instructions.
- This product should be recycled in the correct manner when it reaches the end of its life. Check local authorities for where facilities exist.

## WARRANTY

This product has a warranty of 3 years from the date of purchase. Failure to install this product in accordance with the current edition of the IEE Wiring Regulations (BS7671), improper use, or removal of the batch code will invalidate the warranty. If this product should fail within its warranty period, it should be returned to the place of purchase for a free of charge replacement. ML Accessories does not accept responsibility for any installation costs associated with the replacement product. Your statutory rights are not affected. ML Accessories reserve the right to alter product specification without prior notice.



ML Accessories Limited LU5 4LT  
[www.mlaccessories.co.uk](http://www.mlaccessories.co.uk)

AVOCT21\_V2