



INSTALLATION GUIDE & USER MANUAL ASCDIM/SLC32

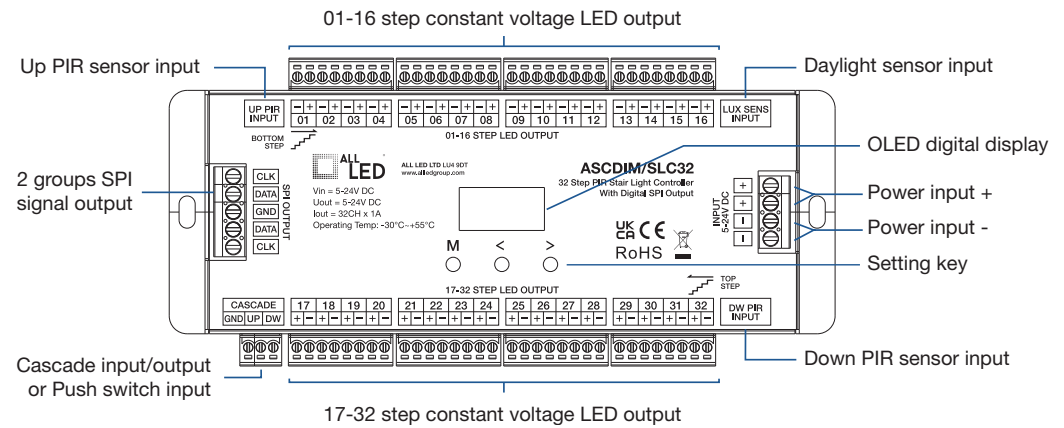


ENSURE POWER SUPPLY IS OFF WHEN HANDLING ANY ELECTRICAL EQUIPMENT.

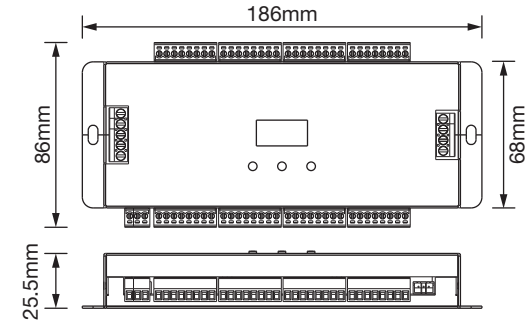
- This product may need to be installed by a qualified electrical installer.
- Please read this guide in its entirety to fully understand the products before attempting any install.
- All electrical work should be completed in accordance with the latest IET regulations, and/or any other relevant rules, regulations or laws of the country in which it is being installed.
- The item must be installed in isolation from any insulating material and is adequately ventilated to prevent premature failure.
- Ensure power supply is isolated prior to installation, maintenance or performing any other form of electrical work.
- In the event of incorrect or improper function with specific regard to any of ALL LED's products and contact ALL LED for further advice.

Technical Specifications

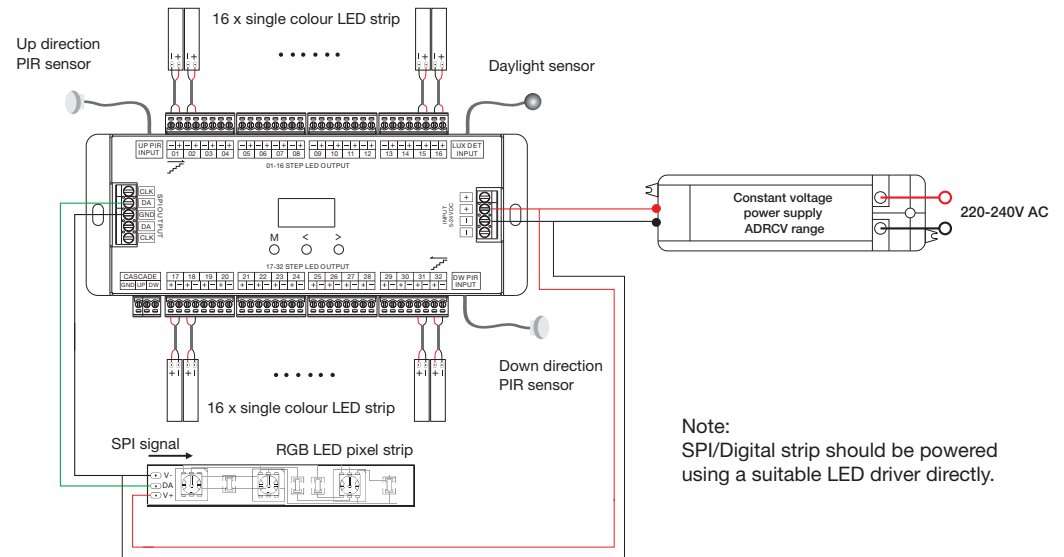
Product Code	ASCDIM/SLC32
Operating Voltage (V)	5-24V DC
LED Step Output	
Maximum Load (W)	5V DC - 32 x 5W 12V DC - 32 x 12W 24V DC - 32 x 24W
Maximum Current (A)	32x 1A
Sensor	
Detection Range	<3M
Detection Angle	30°(±10°)
PIR Sensor Cut Out	20mm
PIR Sensor Overall Depth	18mm
Lux Sensor Threshold	10, 30, 50, 100, 150, 200lux, OFF
Digital SPI	
Maximum Digital SPI Pixels	<960
Compatible ICs	TM1804, TM1809, TM1812, UCS1903, UCS1909, UCS1912, UCS2903, UCS2909, UCS2912, WS2811, WS2812, TM1829, TM1914A, GW6205, GS8206, GS8208, LPD6803, LPD1101, D705, UCS6909, UCS6912, LPD8803, LPD8806, WS2801, WS2803, P9813, SK9822, SM16703P
LED Chip Configuration	RGB, RBG, GRB, GBR, BRG, BGR
Guarantee	5 Years
Class	II
Body Material	Aluminium
Frame Colour	White
Ingress Protection	IP20
Ambient Operating Temperature (°C)	-30°C~55°C



Dimensions (mm)



Wiring Diagram



Note:
SPI/Digital strip should be powered using a suitable LED driver directly.

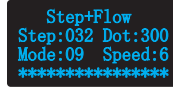
Installation Instructions

OLED screen and key operations

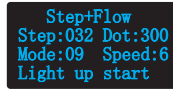
1. Long press M key for 2 seconds, This will allow the user to choose between the four operational modes, push switch input toggle, LED IC chip type (Digital/SPI Strips Only), RGB order (Digital/SPI strips only) and daylight sensor settings.
2. To enter a menu and select a setting short press the M key.
3. When in a setting screen, short press the M key to switch through parameters and settings, using the < or > key for adjusting settings.
4. Long press M key or wait 15 seconds to quit the settings screen.
5. Long press M & > key for 2 seconds, to perform a “Light UP test”
The screen will state “Light UP test” and will commence directional testing of the LED strips from the BASE of the staircase UP.
6. Long press M & < key for 2 seconds, to perform a “Light DOWN test”,
The screen will state “Light DOWN test” and will commence directional testing of the LED strips from the TOP of the staircase DOWN.
7. Long press all three buttons < > M for 2 seconds, to enter channel selection to disable and enable individual channels.



Language interface



Light on/off state on the 4 line



Inductive indication on 4 line

Factory Reset:

Long press < > key for 2 seconds to restore the unit to default parameters.

Settings Explained

Out: Select Operational Mode.

White Step: Constant Voltage Single Colour LED Strip.

Colour Flow: Digital/SPI RGB STRIP ONLY. LED Strip wired in Parallel. Strips light up in unison with a preset mode.

Colour Step: Digital/SPI RGB STRIP ONLY. LED Strip installed with strips' Data cable is wired in series (see wiring diagram). A “start to finish” effect on the entire staircase.

Step+Flow: Constant Voltage Single Colour LED Strip + 1 or 2 Digital/SPI LED strips with the effect of lighting up a “string” or “ladder” alongside the staircase.

Chip: Digital/SPI RGB STRIP ONLY.

IC Chip selection menu – select the correct IC type from the ten options (shown in table below). Following this ensures that the RGB order on the product matches with the controller output (Options available: RGB, RBG, GRB, GBR, BRG, BGR).

Def RGB: Digital/SPI RGB STRIP ONLY. RGB values for user-defined colour.

LuxSet: The daylight sensor is by default set to off.

Daylight sensor thresholds available are 10, 30, 50, 100, 150, 200lux, OFF. When sufficient ambient light is detected, the PIR sensor does not function. The unit displays a digital value with a star which displays the current detected LUX or ambient light level.

OFF: Set the “lights off” sequence and/or set a hold time after the sensor detects movement.

Delay sync: Lights are synchronised to switch off together with a time delay after detection.

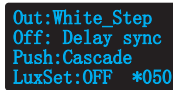
One by one: Lights turn off sequentially with a time delay after detection.

Delay time: 5s, 10s, 15s, 20s, 30s, 1min, 3min, 5min, 10min, cancel. Setting the delay to “cancel” means the light will remain on permanently.

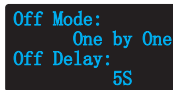
Push: Switch two kinds of push switch input modes.

Cascade: The push (retractive) switch will function as a cascade input/output or simulated PIR input executing the preset settings that the controller has been set to.

All-on: The push (retractive) switch will turn on all the lights, together after the preset delay time.



System parameters interface of White step mode



Switch-off method and delay time setting



System parameters interface of White step + Colour flow mode

Digital pixel RGB LED strip compatible IC types list:

IC type	Compatible IC type	Output signal
TM1809	TM1804, TM1812, UCS1903, UCS1909, UCS1912, UCS2903, UCS2909, UCS2912, WS2811, WS2812, SM16703P	DATA
TM1829		DATA
TM1914A		DATA
GW6205		DATA
GS8206	GS8208	DATA
LPD6803	LPD1101, D705, UCS6909, UCS6912	DATA, CLK
LPD8803	LPD8806	DATA, CLK
WS2801	WS2803	DATA, CLK
P9813		DATA, CLK
SK9822		DATA, CLK

Operational Modes Explained

1. **White Step mode** (Constant Voltage Single Colour LED Strip)

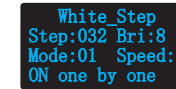
Step: Total number of steps, 008-032

Mode: Select how

- 01 ON one by one (recommended)
- 02 All OFF, Five ON
- 03 All ON, one OFF
- 04 All ON

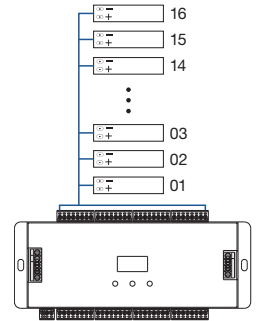
Bri: Brightness level 1-8, 8 being the brightest output.

Speed: 1-8, 8 being the fastest speed.



White mode list:

No.	Name
01	ON one by one
02	All OFF, Five ON
03	All ON, one OFF
04	All ON



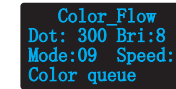
2. **Colour Flow mode** Digital/SPI RGB STRIP ONLY. LED Strips wired in Parallel. Strips light up in unison with a preset mode.

Dot: Pixel Quantity – The total number of LED chips on the install. EG 5m of LED Strip in total, 60 LED per m. 5M x 60 LEDs per M = 300 Pixels , 032-960

Mode: Colour mode number, 01-12

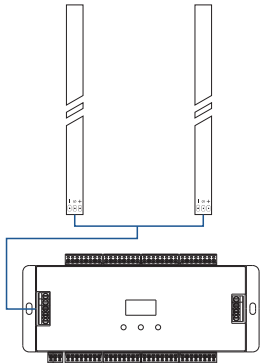
Bri: Brightness grade, Brightness level 1-8, 8 being the brightest output.

Speed: Speed 1-8, 8 being the fastest speed.



Colour mode list:

No.	Name
01	Red
02	Orange
03	Yellow
04	Green
05	Cyan
06	Blue
07	Purple
08	White
09	Colour queue (7 colour + White)
10	Colour chase (7 colour + White)
11	Colour fade (6 colour flow)
12	Rxxx Gxxx Bxxx (User define)



3. **Colour Step mode** Digital/SPI RGB STRIP

ONLY. LED Strip installed with strips' Data cable is wired in series (see wiring diagram). A "start to finish" effect on the entire staircase.

Color Step
Step:030 Dot:010
Mode:09 Speed:6
Color queue

Step: Total number of steps, 008-032

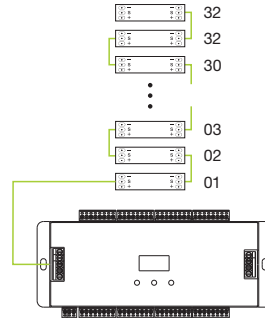
Dot: Pixel Quantity – The total number of LED chips on the install. EG 5m of LED Strip in total, 60 LED per m. 5M x 60 LED's per M = 300 Pixels , 032-960

Bri: Brightness level 1-8, 8 being the brightest output.

Speed: Speed 1-8, 8 being the fastest speed.

Colour mode list:

No.	Name
01	Red
02	Orange
03	Yellow
04	Green
05	Cyan
06	Blue
07	Purple
08	White
09	Colour queue (7 colour + White)
10	Colour chase (7 colour + White)
11	Colour fade (6 colour fade)
12	Rxxx Gxxx Bxxx (User define)



4. White Step + Colour Flow mode (Constant voltage LED strip + Straight line digital pixel LED strip light mode) Constant Voltage Single Colour LED Strip + 1 or 2 Digital/SPI RGB LED strips with the effect of lighting up a "string" or "ladder" alongside the staircase.

Step+Flow
Step:032 Dot:300
Mode:09 Speed:6
Color queue

Step: Total number of steps, 008-032

Dot: Pixel Quantity – The total number of LED chips on the install. EG 5m of LED Strip in total, 60 LED per m. 5M x 60 LED's per M = 300 Pixels , 032-960

Mode: Colour mode number, 01-12

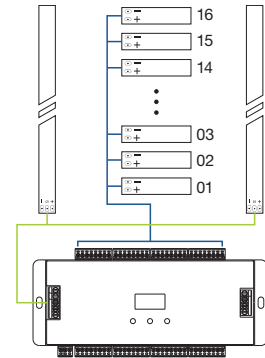
The mode number is for straight line digital pixel LED strip only.

The mode for constant voltage LED strip is fixed on one by one.

Speed: Speed 1-8, 8 being the fastest speed.

Colour mode list:

No.	Name
01	Red
02	Orange
03	Yellow
04	Green
05	Cyan
06	Blue
07	Purple
08	White
09	Colour queue (7 colour + White)
10	Colour chase (7 colour + White)
11	Colour fade (6 colour flow)
12	Rxxx Gxxx Bxxx (User define)



Retractive/Push switch as manual

override for up/down signal inputs

The optional inclusion of retractive/push switches can be introduced to the system as manual overrides that will operate the stair controller.

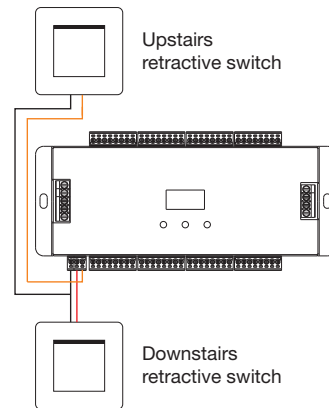
The unit is designed to be recessed into either the ceiling or wall.

Do not expose the sensor to direct sunlight, or it may cause interference.

The sensor should be installed in a dry environment avoiding drafts from windows, heaters, air conditioners and fans.

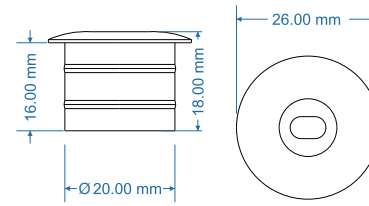
The sensor is particularly sensitive to heat sources such as walls and windows in direct sunlight, air conditioners, heating, refrigerators, stoves and so on.

We recommend for wall-mounted installation that the height is 1-1.5 meters from ground level and the ceiling mounting height is no more than 3 meters.

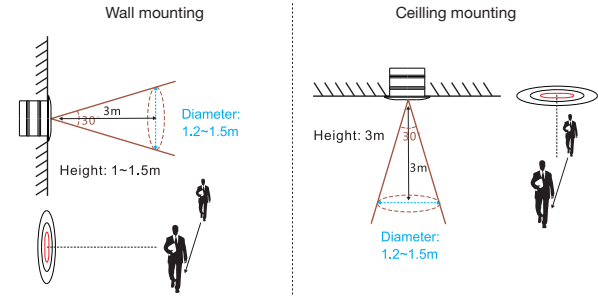


Installation of PIR sensor

Size of detector:



PIR sensor detection scope (±10°):



For wall mounting and ceiling mounting, note that the sensor should be perpendicular to the direction of human movement.

Notice for installation of PIR sensor

1. Recommended for wall mounting.
2. If the sensor is exposed to direct sunlight, interference signal will be introduced.
3. The sensor should be installed in a dry environment and kept away from windows, air conditioner and fans.
4. Make sure that the sensor stays away from heat source, such as countertops, kitchen appliances which generate hot steam, walls and windows in direct sunlight, air conditioners, heating, refrigerators, stoves and so on.
5. We recommended the wall-mounted installation height is 1-1.5 metres and the ceiling mounting height is no more than 3 metres.
6. No obstacles should be within the range of detection e.g. screen, furniture, large bonsai.



ATTENTION
IF ANY PROBLEMS PERSIST, PLEASE CALL THE ALL LED TECHNICAL DEPARTMENT FOR FURTHER ASSISTANCE.

Returns & Faulty Items

- If any problem is encountered during or after installation, please call the ALL LED technical department to get the problem resolved as soon as possible.
- Please do not just return the item to the outlet you purchased it from, as you are only entitled to a replacement or refund after the unit has undergone testing and the unit has been confirmed as having a manufacturing defect/fault. Your statutory rights are not affected.
- The manufacturer will not be deemed liable or held responsible for any damages caused by faults or manufacturing defects that may be present in any of its products or the misuse or incorrect installation of this device.
- All goods are supplied under the terms and conditions of ALL LED LTD, a copy of which may be obtained upon written request.



Environmental Protection
Waste electrical products should not be disposed of with household waste. Please recycle where facilities exist. Check with your Local Authority or retailer for recycling advice



The manufacturer will not be deemed liable or held responsible for any damages caused by faults or manufacturing defects that may be present in any of its products or the misuse or incorrect installation of this device
Your statutory rights are not affected.



ALL LED LTD
42 Sedgwick Road,
Luton, LU4 9DT

www.allledgroup.com
sales@allledgroup.com
Tel: +44 (0)208 841 9000